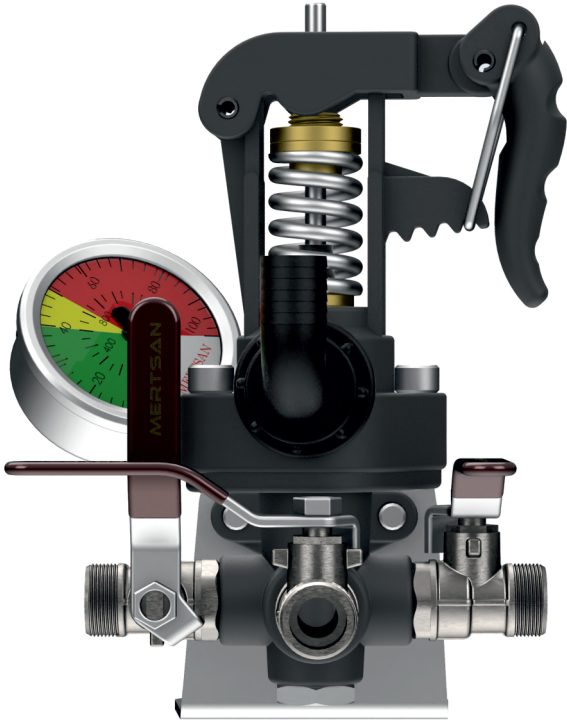
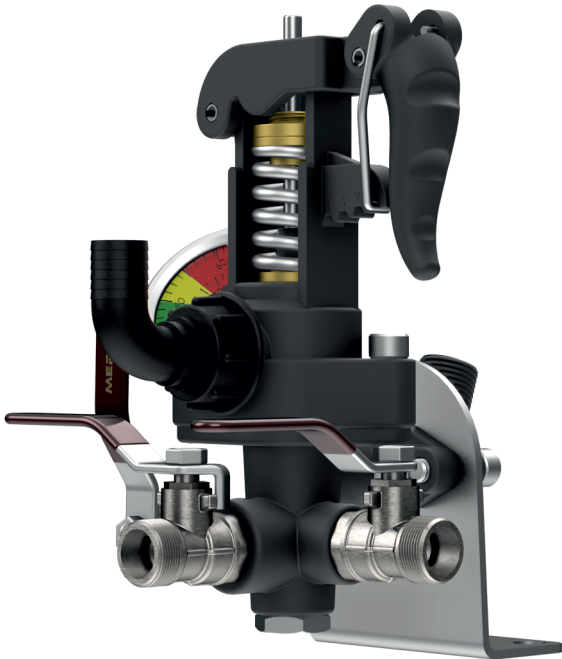


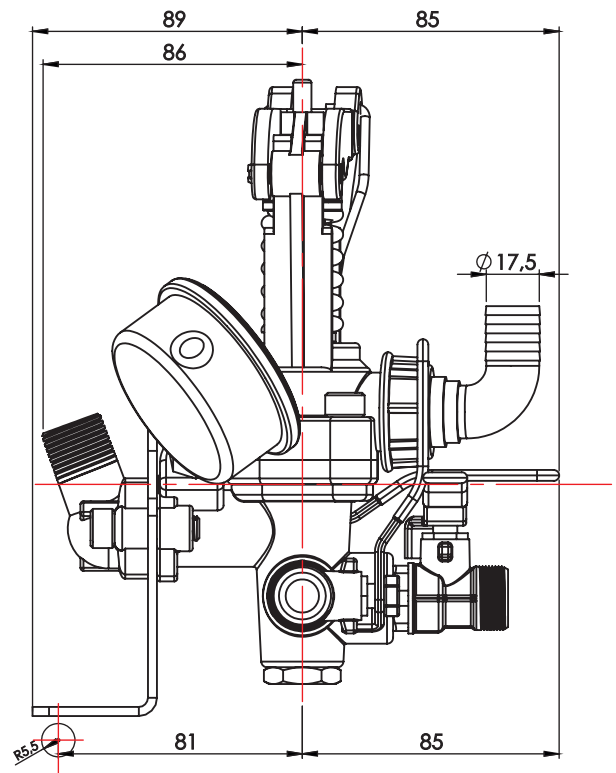
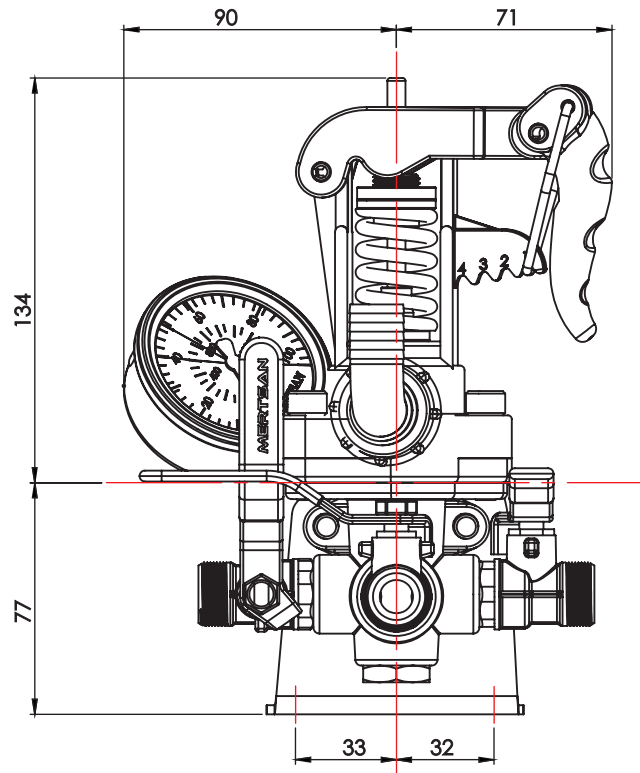
MTS-301 R



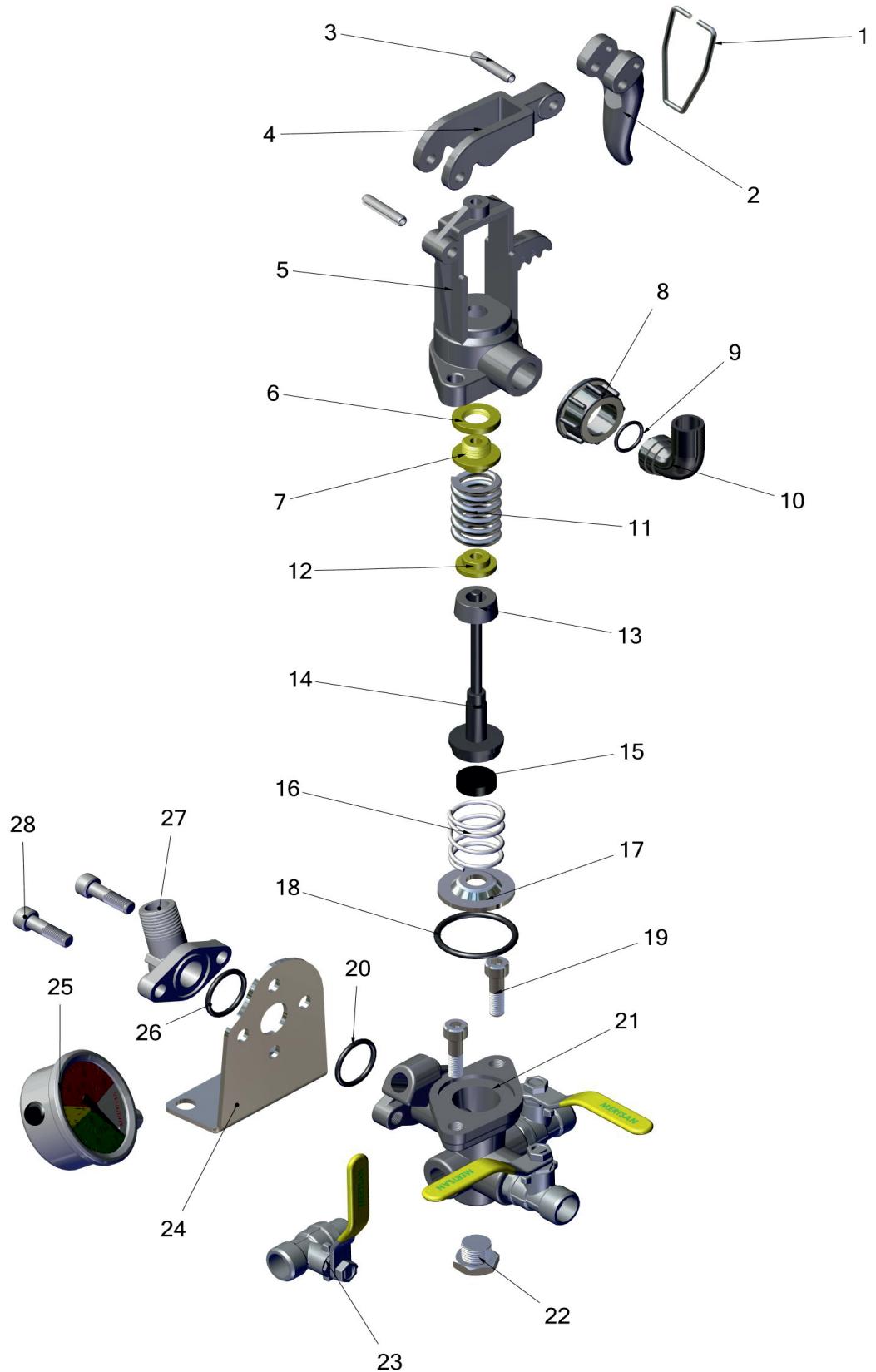
KOD / CODE	MTS-301 R
DEBİ (LT./DAK.) FLOW (LT./MIN.)	80
ÇIKIŞ OUTPUT	3
BASINÇ (BAR) PRESSURE	45



MTS-301 R



MTS-301 R



MTS-301 R

No	ÜRÜN KODU / PRODUCTS CODE	AÇIKLAMA / DESCRIPTION	ÖLÇÜLER / DIMENSIONS	ADET / QTY
1	MTS-301 R/1	KOL PİMİ / LEVER PIM		1
2	MTS-301 R/2	REGÜLATÖR KOLU / REGULATOR PIM		1
3	MTS-301 R/3	YARIKLI PİM / SLOTTED PIM	ø 6 MM	2
4	MTS-301 R/4	REGÜLATÖR ÇATALI / REGULATOR'S FORK		1
5	MTS-301 R/5	ÜST GÖVDE / UPPER CASE		1
6	MTS-301 R/6	AYAR BASKI SOMUNU / COMPRESSION REGULATING NUT		1
7	MTS-301 R/7	AYAR PULU / REGULATING WASHER		1
8	MTS-301 R/8	REGÜLATÖR SOMUNU / REGULATING NUT		1
9	MTS-301 R/9	ORİNG / O-RING	ø 2x16	1
10	MTS-301 R/10	REGÜLATÖR DİRSEĞİ / REGULATING ELBOW		1
11	MTS-301 R/11	KOL YAYI / HANDLE SPRING	ø 4 CM	1
12	MTS-301 R/12	BASKI PULU / COMPRESSION WASHER		1
13	MTS-301 R/13	CONTA / GASKET		1
14	MTS-301 R/14	BASKI MİLİ / COMPRESSION MILL		1
15	MTS-301 R/15	BASKI CONTASI / COMPRESSION GASKET		1
16	MTS-301 R/16	BASKI YAYI / COMPRESSION SPRING	ø 3 CM	1
17	MTS-301 R/17	KROM BASKI PUL / CHROMIUM COMPRESSION WASHER		1
18	MTS-301 R/18	ORİNG / O-RING	ø 3.53x36.10	1
19	MTS-301 R/19	İMBUS CİVATA / SCREW	ø M8x30	2
20	MTS-301 R/20	ORİNG / O-RING	ø 23.81x2.62	1
21	MTS-301 R/21	ALT GÖVDE / INFRA CASE		1
22	MTS-301 R/22	KÖR TAPA / BLANKING TAP		1
23	MTS-301 R/23	VANA / VALVE	G ¾"	3
24	MTS-301 R/24	BAGLANTI AYAĞI / REGULATOR MOUNTING STAND		1
25	MTS-301 R/25	MANOMETRE / MANOMETER		1
26	MTS-301 R/26	ORİNG / O-RING	ø 15x2	1
27	MTS-301 R/27	ALÜMİNYUM DİRSEK / ALUMINIUM ELBOW		1
28	MTS-301 R/28	İMBUS CİVATA / SCREW	ø M8x45	2