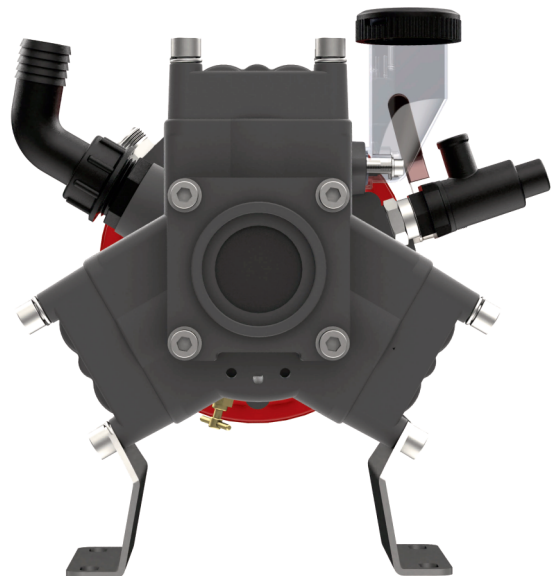
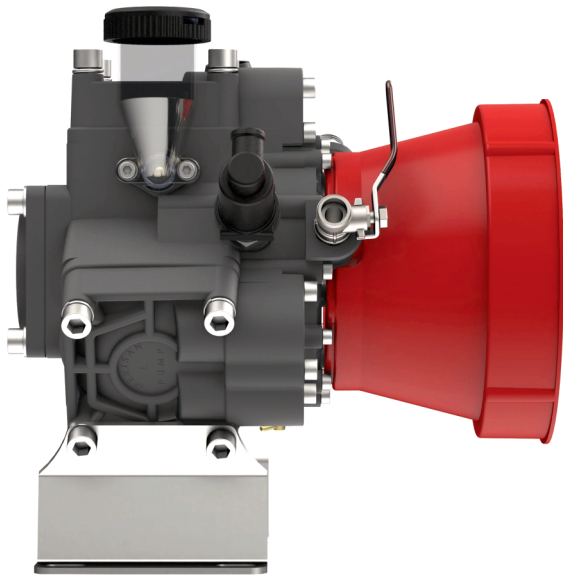


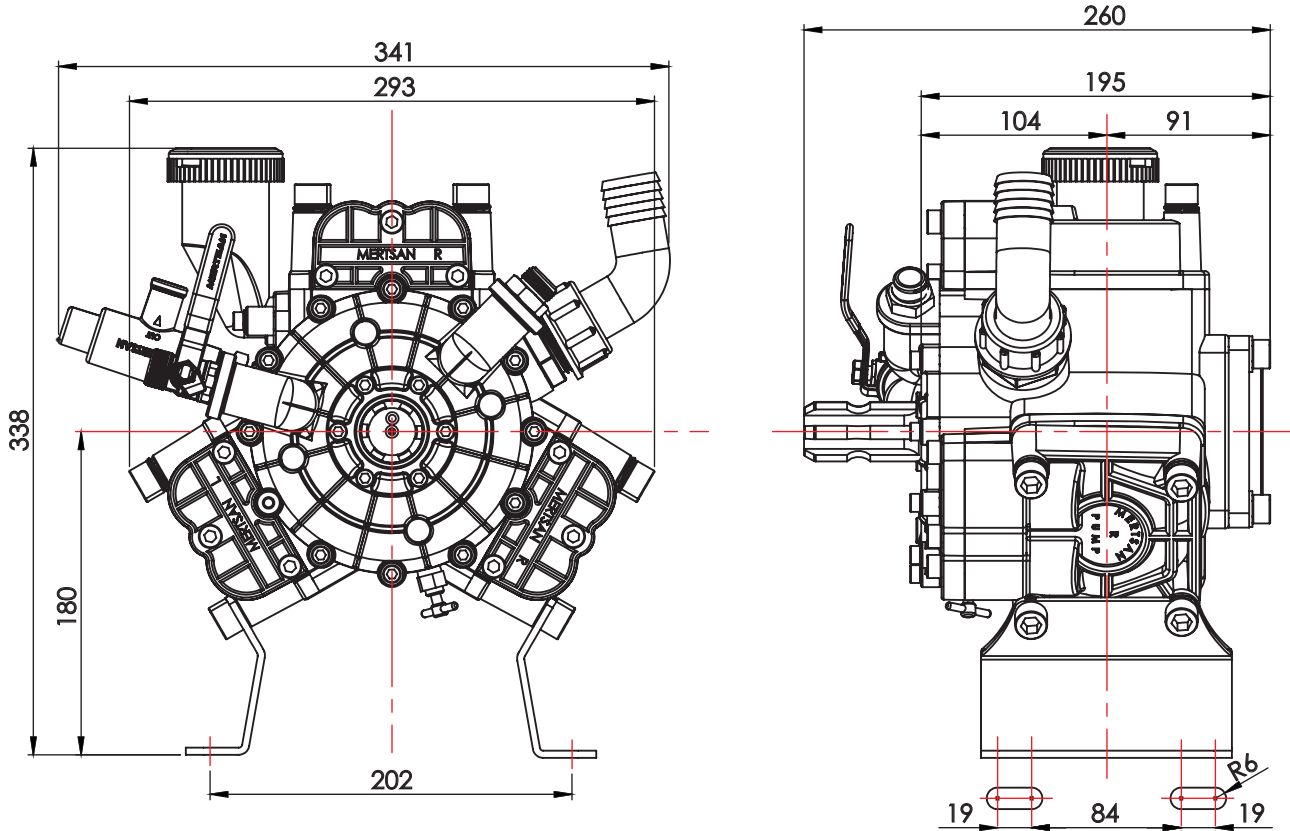
MTS-371 A



| KOD/CODE | MTS-371 A |
|--------------------------------------|-----------|
| DEBİ (LT./DAK.) FLOW (LT./MIN.) | 71 |
| DEVİR (D./DAK.) SPEED (R.P.M) | 540 |
| GÜÇ (HP) POWER | 5.5 |
| PİSTON PISTON | 3 |
| BASINÇ (BAR) PRESSURE | 45 |
| YAĞ CİNSİ OIL TYPE | 20W50 |
| YAĞ KAPASİTESİ (LT.) OIL CAPACITY | 0.95 |
| ÖLÇÜLER (CM) DIMENSIONS | 26x34x34 |
| AĞIRLIK KG/ WEIGHT | 17.15 |

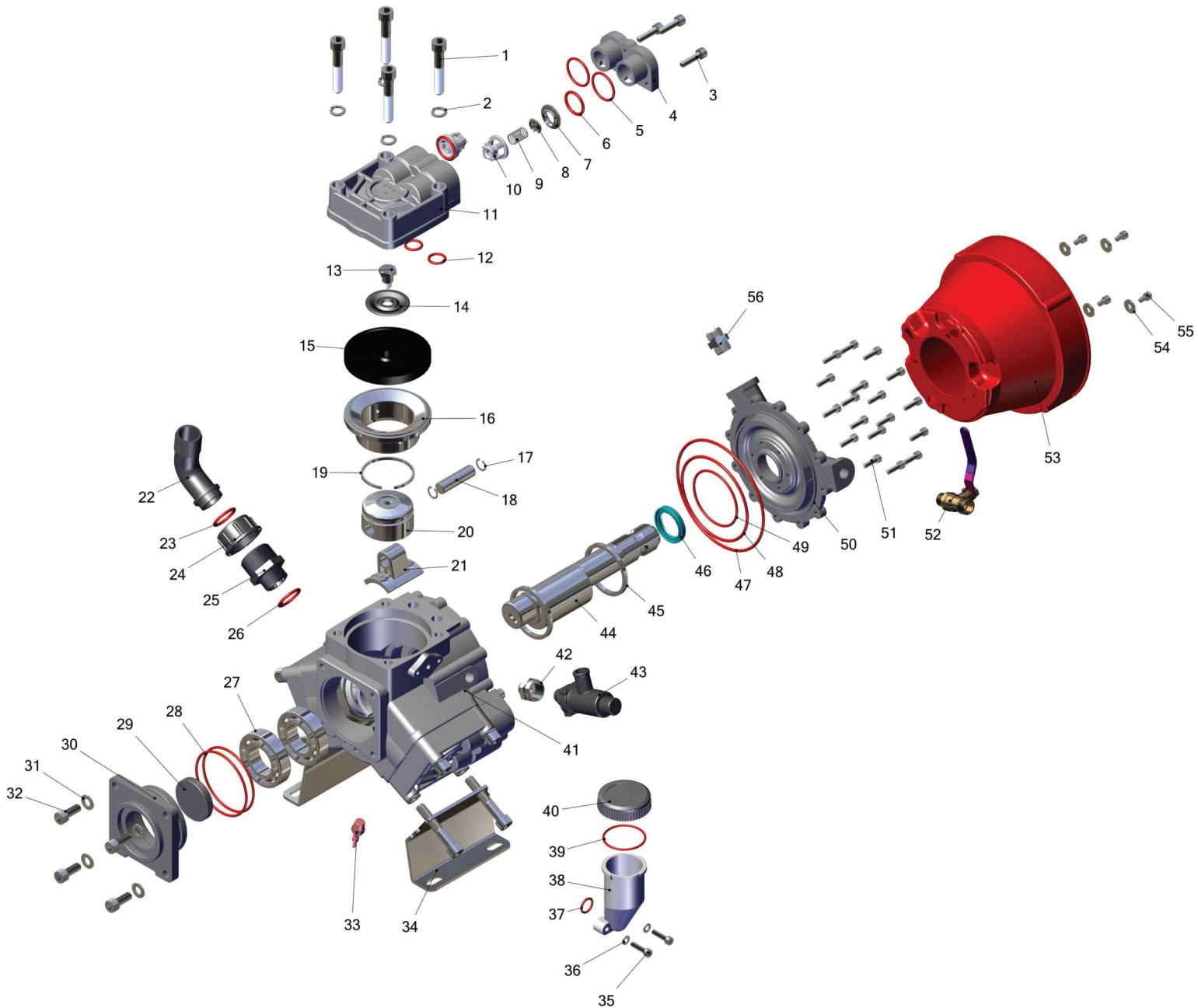


MTS-371 A



| RPM | 0 BAR - 0 PSI | | | | 20 BAR - 290 PSI | | | | 30 BAR - 435 PSI | | | | 40 BAR - 580 PSI | | | | 50 BAR - 725 PSI | | | | KG LB | |
|-----|---------------|------------|-----|-----|------------------|------------|-----|-----|------------------|------------|-----|-----|------------------|------------|-----|-----|------------------|------------|-----|-----|-------|-------|
| | L/min | U.S. g.p.m | HP | KW | L/min | U.S. g.p.m | HP | KW | L/min | U.S. g.p.m | HP | KW | L/min | U.S. g.p.m | HP | KW | L/min | U.S. g.p.m | HP | KW | | |
| 400 | 53.0 | 14.0 | 0.5 | 0.4 | 51.7 | 13.7 | 2.9 | 2.1 | 50.8 | 13.4 | 4.0 | 2.9 | 50.4 | 13.3 | 5.2 | 3.8 | 50.0 | 13.2 | 6.5 | 4.8 | 17.1 | 37.80 |
| 450 | 59.2 | 15.6 | 0.6 | 0.5 | 57.8 | 15.3 | 3.3 | 2.4 | 56.8 | 15.0 | 4.6 | 3.4 | 56.3 | 14.9 | 5.9 | 4.4 | 55.8 | 14.7 | 7.3 | 5.4 | 17.1 | 37.80 |
| 500 | 65.0 | 17.2 | 0.8 | 0.6 | 63.5 | 16.8 | 3.7 | 2.7 | 62.4 | 16.5 | 5.2 | 3.8 | 61.8 | 16.3 | 6.7 | 4.9 | 61.3 | 16.2 | 8.3 | 6.1 | 17.1 | 37.80 |
| 550 | 71.3 | 18.8 | 0.9 | 0.7 | 69.6 | 18.4 | 4.1 | 3.0 | 68.4 | 18.1 | 5.7 | 4.2 | 67.8 | 17.9 | 7.3 | 5.4 | 67.2 | 17.8 | 9.1 | 6.7 | 17.1 | 37.80 |

MTS-371 A



MTS-371 A

| № | ÜRÜN KODU / PRODUCTS CODE | AÇIKLAMA / DESCRIPTION | ÖLÇÜLER / DIMENSIONS | ADET / QTY |
|----|---------------------------|--|----------------------|------------|
| 1 | MTS-371 A/1 | İMBUS CİVATA / SCREW | ø M12x65 | 12 |
| 2 | MTS-371 A/2 | PUL / RONDELA | ø 12 MM | 8 |
| 3 | MTS-371 A/3 | İMBUS CİVATA / SCREW | ø M8x30 | 9 |
| 4 | MTS-371 A/4 | GÖZLÜK / PLUG | | 3 |
| 5 | MTS-371 A/5 | ORİNG / O-RING | Ø 033.00x3.00 | 6 |
| 6 | MTS-371 A/6 | ORİNG / O-RING | Ø 24.99x3.53 | 6 |
| 7 | MTS-371 A/7 | SİBOP KROMU / VALVE CHROMIUM | | 6 |
| 8 | MTS-371 A/8 | SİBOP PULU / VALVE WASHER | | 6 |
| 9 | MTS-371 A/9 | SİBOP YAYI / VALVE SPRING | | 6 |
| 10 | MTS-371 A/10 | SİBOP KAFESİ / VALVE CAGE | | 6 |
| 11 | MTS-371 A/11 | MEMBRAN KAPAĞI / MEMBRANE COVER | | 3 |
| 12 | MTS-371 A/12 | ORİNG / O-RING | Ø 017.00x3.00 | 6 |
| 13 | MTS-371 A/13 | PİSTON CİVATASI / PISTON HOLDER SCREW | ø M10x20 | 3 |
| 14 | MTS-371 A/14 | MEMBRAN PULU / MEMBRANE WASHER | | 3 |
| 15 | MTS-371 A/15 | MEMBRAN LASTİĞİ / MEMBRANE RUBBER | | 3 |
| 16 | MTS-371 A/16 | GÖMLEK / PISTON SLEEVE | | 3 |
| 17 | MTS-371 A/17 | SEGMAN / PISTON RING | Ø 15 | 6 |
| 18 | MTS-371 A/18 | PERNO / PERNO | Ø15 | 3 |
| 19 | MTS-371 A/19 | SEGMAN / PISTON RING | Ø 63 | 3 |
| 20 | MTS-371 A/20 | PİSTON / PISTON | Ø 63 | 3 |
| 21 | MTS-371 A/21 | BİYEL KOLU / CONNECTION ROD | | 3 |
| 22 | MTS-371 A/22 | (SU GİRİŞİ) DİRSEK / HOSETAIL FOR FLY NUT | Ø 32x32 | 1 |
| 23 | MTS-371 A/23 | ORİNG / O-RING | Ø 027.00x4.00 | 1 |
| 24 | MTS-371 A/24 | (SU GİRİŞİ) DİRSEK SOMUNU / LOCK NUT | G1 1/4" | 1 |
| 25 | MTS-371 A/25 | NİPEL / NIPPLE | | 1 |
| 26 | MTS-371 A/26 | ORİNG / O-RING | Ø 24.99x3.53 | 1 |
| 27 | MTS-371 A/27 | RULMAN / BEARING | Ø 6207 | 2 |
| 28 | MTS-371 A/28 | ORİNG / O-RING | Ø 070.00x3.00 | 2 |
| 29 | MTS-371 A/29 | KEÇE / SEAL | Ø 55x10 | 1 |
| 30 | MTS-371-A/30 | FLANŞ(KARE KAPAK) / MANIFOLD COVER (BACK SIDE) | | 1 |
| 31 | MTS-371 A/31 | PUL / RONDELA | Ø 8 MM | 4 |
| 32 | MTS-371 A/32 | İMBUS CİVATA / SCREW | Ø M8x25 | 4 |
| 33 | MTS-371 A/33 | SARI TAHLİYE MUSLUĞU / (BRASS) OUTPUT TAP | | 1 |
| 34 | MTS-371 A/34 | AYAK / PUMP MOUNTING STAND | | 2 |
| 35 | MTS-371 A/35 | İMBUS CİVATA / SCREW | Ø M6x25 | 2 |
| 36 | MTS-371 A/36 | PUL / RONDELA | Ø 6 MM | 2 |
| 37 | MTS-371 A/37 | ORİNG / O-RING | Ø 016.00x2.50 | 1 |
| 38 | MTS-371 A/38 | YAĞDANLIK GÖVDESİ / OILCAN | | 1 |
| 39 | MTS-371 A/39 | ORİNG / O-RING | Ø 42.52x2.62 | 1 |
| 40 | MTS-371 A/40 | YAĞDANLIK KAPAĞI / OILCAN COVER | | 1 |
| 41 | MTS-371 A/41 | GÖVDE / CRANKCASE | | 1 |
| 42 | MTS-371 A/42 | REKOR / NIPPLE | G 1/2" 3/8" | 1 |
| 43 | MTS-371-A/43 | EMNİYET VALFİ / SAFETY VALVE | G 1/2" | 1 |
| 44 | MTS-371-A/44 | KRANK / CRANK | | 1 |
| 45 | MTS-371 A/45 | BİLEZİK / RING | Ø 5.5x59 | 2 |
| 46 | MTS-371 A/46 | KEÇE / SEAL | Ø 35x47x7 | 1 |
| 47 | MTS-371 A/47 | ORİNG / O-RING | Ø 142.47x3.53 | 1 |
| 48 | MTS-371 A/48 | ORİNG / O-RING | Ø 108.00x3.00 | 1 |
| 49 | MTS-371 A/49 | ORİNG / O-RING | Ø 070.00x3.00 | 1 |
| 50 | MTS-371 A/50 | MANIFOLD KAPAĞI (ÖN) / MANIFOLD COVER (FRONT SIDE) | | 1 |
| 51 | MTS-371 A/51 | İMBUS CİVATA / SCREW | Ø M6x20 | 18 |
| 52 | MTS-371 A/52 | VANA / BALL VALVE | G 1/2" | 1 |
| 53 | MTS-371 A/53 | ŞAFT MUHAFAZA / CARDAN PROTECTION | | 1 |
| 54 | MTS-371 A/54 | PUL / RONDELA | Ø 6 MM | 4 |
| 55 | MTS-371 A/55 | İMBUS CİVATA / SCREW | Ø M6x10 | 4 |
| 56 | MTS-371 A/56 | DEMİR NİPEL / NIPPLE (STAINLESS) | G 1/2" | 1 |