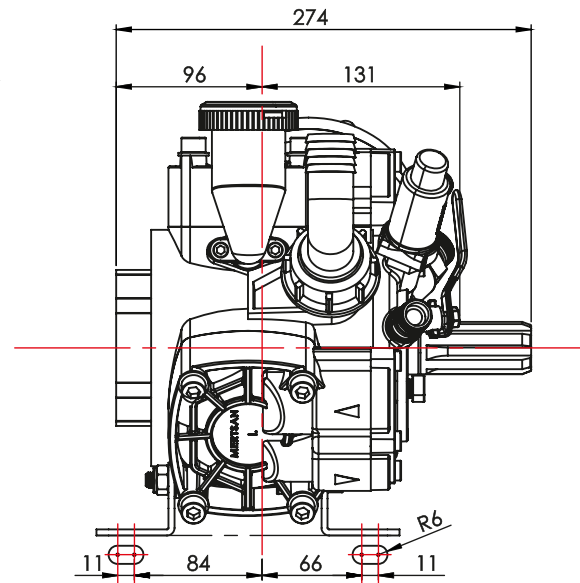
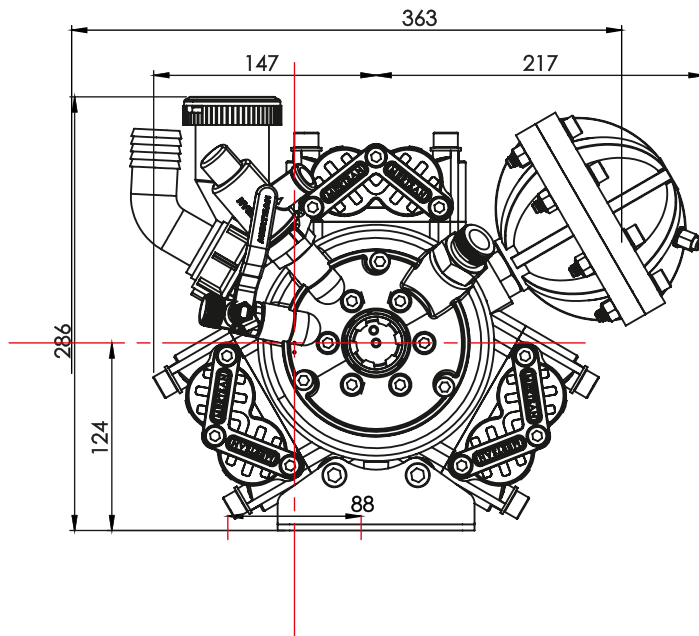


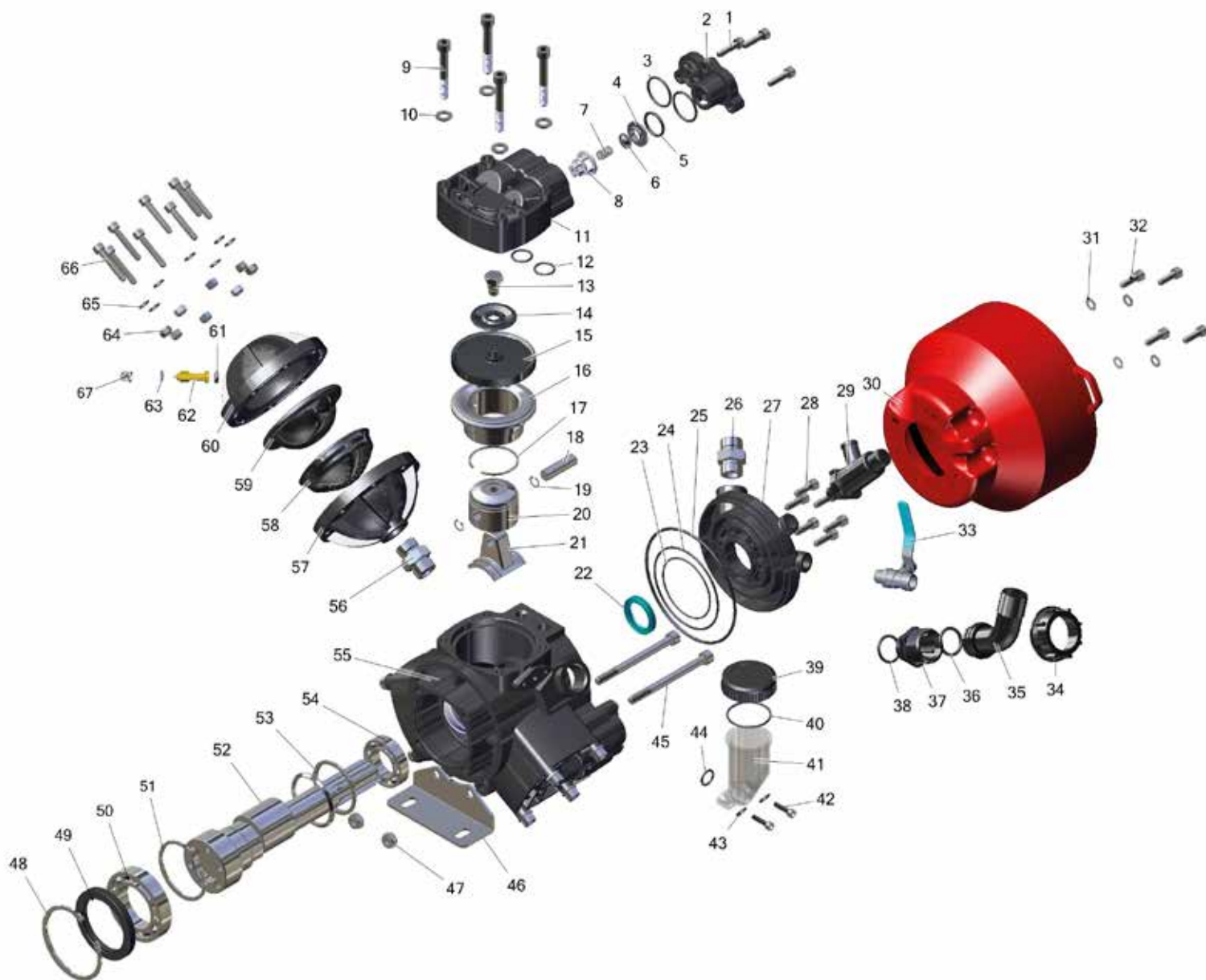
MTS-371 P



KOD/CODE	MTS-371 P
DEBİ (LT./DAK.) FLOW (LT./MIN.)	71
DEVİR (D./DAK.) SPEED (R.P.M)	540
GÜÇ (HP) POWER	9.1
PİSTON PISTON	3
BASINÇ (BAR) PRESSURE	45
YAĞ CİNSİ OIL TYPE	20W50
YAĞ KAPASİTESİ (LT.) OIL CAPACITY	1.0
ÖLÇÜLER (CM.) DIMENSIONS	28x38x29
AĞIRLIK (KG.) WEIGHT	19.45



MTS-371 P



MTS-371 P

No	ÜRÜN KODU/PRODUCTS CODE	AÇIKLAMA / DESCRIPTION	ÖLÇÜLER/ DIMENSIONS	ADET/QTY
1	MTS-371-P/1	İMBUS CİVATA / SCREW	Ø M8x30	9
2	MTS-371-P/2	GÖZLÜK / PLUG		3
3	MTS-371-P/3	ORİNG / O-RING	Ø 033.00x3.00	6
4	MTS-371-P/4	SİBOP KROMU / VALVE CHROMIUM		6
5	MTS-371-P/5	ORİNG / O-RING	Ø 24.99x3.53	6
6	MTS-371-P/6	SİBOP PULU / VALVE WASHER		6
7	MTS-371-P/7	SİBOP YAYI / VALVE SPRING		6
8	MTS-371-P/8	SİBOP KAFESİ / VALVE CAGE		6
9	MTS-371-P/9	İMBUS CİVATA / SCREW	Ø M10x70	12
10	MTS-371-P/10	PUL / RONDELA	Ø 10 MM	12
11	MTS-371-P/11	MEMBRAN KAPAĞI / MEMBRANE COVER		3
12	MTS-371-P/12	ORİNG / O-RING	Ø 021.00x3.00	6
13	MTS-371-P/13	PİSTON CİVATASI / PISTON HOLDER SCREW	Ø 12x20	3
14	MTS-371-P/14	MEMBRAN PULU / MEMBRANE WASHER		3
15	MTS-371-P/15	MEMBRAN LASTİĞİ / MEMBRANE RUBBER		3
16	MTS-371-P/16	GÖMLEK / PISTON SLEEVE		3
17	MTS-371-P/17	SEGMAN / PISTON RING	Ø 58	3
18	MTS-371-P/18	PERNO / PERNO	Ø 14	3
19	MTS-371-P/19	SEGMAN / PISTON RING	Ø 14	6
20	MTS-371-P/20	PİSTON / PISTON	Ø 58	3
21	MTS-371-P/21	BİYEL KOLU / CONNECTION ROD		3
22	MTS-371-P/22	KEÇE / SEAL	Ø 35x47x7	1
23	MTS-371-P/23	ORİNG / O-RING	Ø 074.00x2.00	1
24	MTS-371-P/24	ORİNG / O-RING	Ø 100.00x2.00	1
25	MTS-371-P/25	ORİNG / O-RING	Ø 145.72x2.62	1
26	MTS-371-P/26	REKOR / NIPPLE	G ¾"	1
27	MTS-371-P/27	MANİFOLT KAPAĞI / MANIFOLD COVER		1
28	MTS-371-P/28	İMBUS CİVATA / SCREW	Ø M8x25	6
29	MTS-371-P/29	EMNİYET VALFİ / SAFETY VALVE	G ¾"	1
30	MTS-371-P/30	ŞAFT MUHAFAZASI / CARDAN PROTECTION		1
31	MTS-371-P/31	PUL / RONDELA	Ø 6 MM	4
32	MTS-371-P/32	İMBUS CİVATA / SCREW	Ø M6x10	4
33	MTS-371-P/33	VANA / VALVE	Ø G ¾"	1
34	MTS-371-P/34	(SU GİRİŞİ) DİRSEK / HOSETAIL FOR FLY NUT	Ø 32x32	1
35	MTS-371-P/35	(SU GİRİŞİ) DİRSEK SOMUNU / LOCK NUT	G1 ¼"	1
36	MTS-371-P/36	ORİNG / O-RING	Ø 027.00x4.00	1
37	MTS-371-P/37	NİPEL / NIPPLE		1
38	MTS-371-P/38	ORİNG / O-RING	Ø 24.99x3.53	1
39	MTS-371-P/39	YAĞDANLIK KAPAĞI / OILCAN COVER		1
40	MTS-371-P/40	ORİNG / O-RING	Ø 42.52x2.62	1
41	MTS-371-P/41	YAĞDANLIK GÖVDESİ / OILCAN		1
42	MTS-371-P/42	İMBUS CİVATA / SCREW	Ø M6x25	2
43	MTS-371-P/43	PUL / RONDELA	Ø 6 MM	2
44	MTS-371-P/44	ORİNG / O-RING	Ø 016.00x2.50	1
45	MTS-371-P/45	İMBUS CİVATA / SCREW	Ø M10x120	2
46	MTS-371-P/46	AYAK / PUMP MOUNTING STAND		2
47	MTS-371-P/47	SOMUN / LOCK NUT	Ø 10	2
48	MTS-371-P/48	SEGMAN / PISTON RING	Ø 90	1
49	MTS-371-P/49	KEÇE / SEAL	Ø 70x90x10	1
50	MTS-371-P/50	RULMAN / BEARING	6011	1
51	MTS-371-P/51	SEGMAN / PISTON RING	Ø 55	1
52	MTS-371-P/52	KRANK / CRANK		1
53	MTS-371-P/53	BİLEZİK / RING	Ø 5.5x60	2
54	MTS-371-P/54	RULMAN / BEARING	6007	1
55	MTS-371-P/55	GÖVDE / CRANKCASE		1
56	MTS-371-P/56	REKOR / NIPPLE	G ¾"	1
57	MTS-371-P/57	HAVA TÜPÜ ALT KAPAK / AIR TUBE INFRA ACCUMULATOR		1
58	MTS-371-P/58	HAVA TÜPÜ İÇ PLASTİK / AIR TUBE INNER PLASTIC		1
59	MTS-371-P/59	HAVA TÜPÜ İÇ LASTİK / AIR TUBE INNER LASTIC		1
60	MTS-371-P/60	HAVA TÜPÜ ÜST KAPAK / AIR TUBE UPPER ACCUMULATOR		1
61	MTS-371-P/61	ORİNG / O-RING	Ø 007.59x2.62	1
62	MTS-371-P/62	TÜP SİBOBU / AIR TUBE VALVE		1
63	MTS-371-P/63	TİRTİKLİ PUL/RONDELA	Ø 8	1
64	MTS-371-P/64	FİBERLİ SOMUN / FIBER NUT	Ø 8	8
65	MTS-371-P/65	PUL / RONDELA	Ø 8 MM	8
66	MTS-371-P/66	İMBUS CİVATA / SCREW	Ø M8x45	8
67	MTS-371-P/67	TÜP SİBOP KAPAĞI / AIR TUBE VALVE COVER		1