

MES

MERTSAN®

PUMP

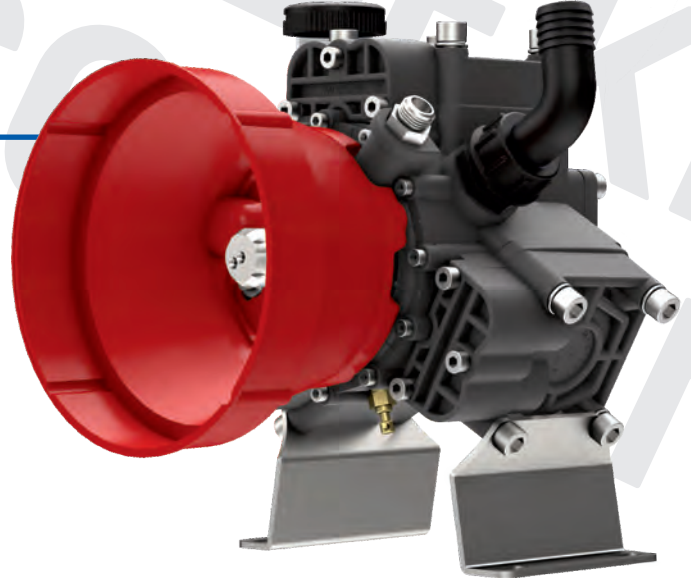


www.mertsanpump.com

POMPALAR PUMPS

SAYFA
PAGES

MTS - 145 N	01
MTS - 145 Z	04
MTS - 496 D	07
MTS - 496 Z	10
MTS - 496 PK	13
MTS - 496 P	16
MTS - 496 T	19
MTS - 496 A	22
MTS - 371 S	25
MTS - 371 T	28
MTS - 371 A	31
MTS - 371 P	34
MTS - 371 PK	37
MTS - 371 Z	40
MTS - 230 K	43
MTS - 230 N	46
MTS - 230 B	49



REGÜLATÖRLER CONTROL UNITS

	SAYFA PAGES
MTS - 100 BY	53
MTS - 50 R5	56
MTS - 50 R3	59
MTS - 401 R	62
MTS - 301 R	65

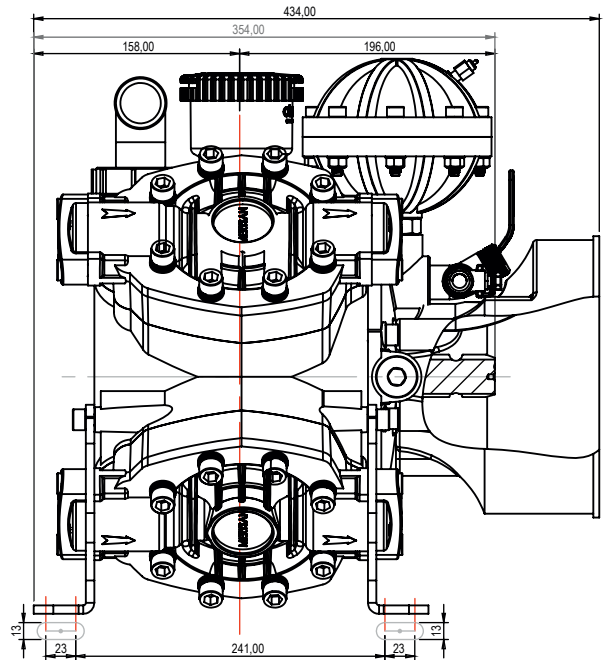
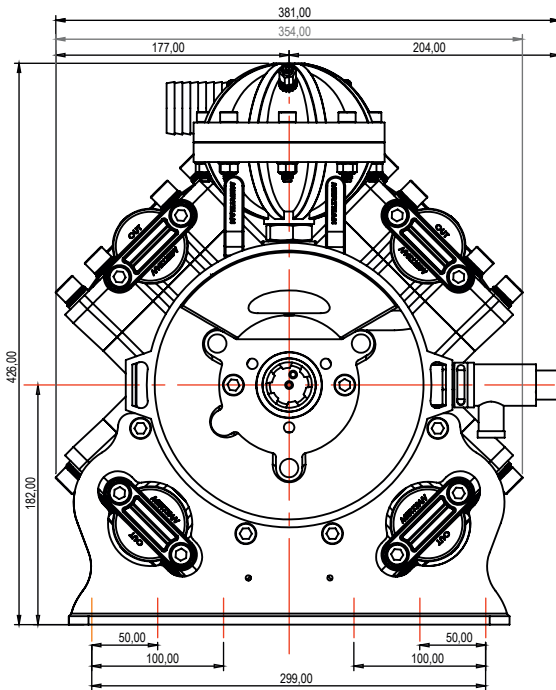
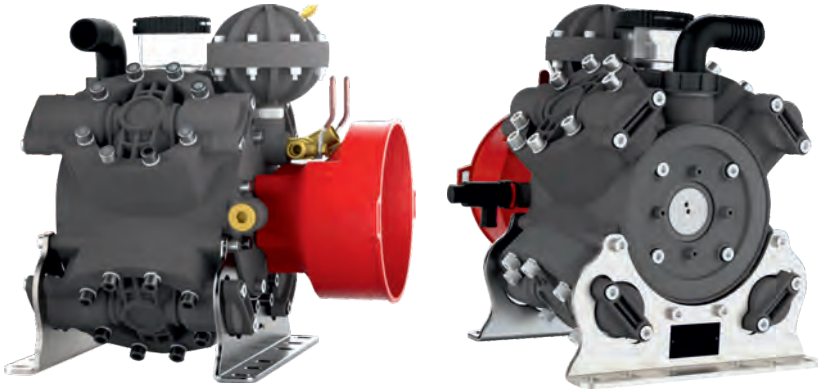
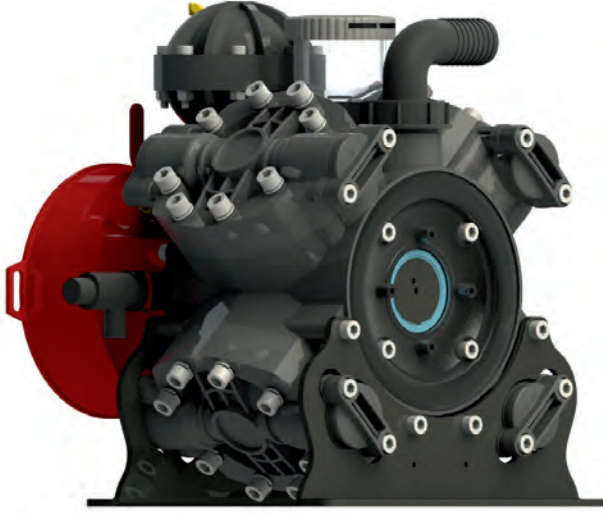


YEDEK PARÇALAR SPARE PARTS

	SAYFA PAGES
Kapaklar ve Depo Ekipmanları Lids and Tank Equipments	69
Filtreler Filters	74
Bağlantı Elemanları Fittings	78
Enjektörler ve Turbo Atomizer Parçaları Nozzles and Mist Blower Spare Parts	87
Pompa Yedek Parçaları Pump Spare Parts	89
Fanlar Fans	93
Diğer Plastik ve Metal Aksamlar Other Plastic and Metal Equipments	96

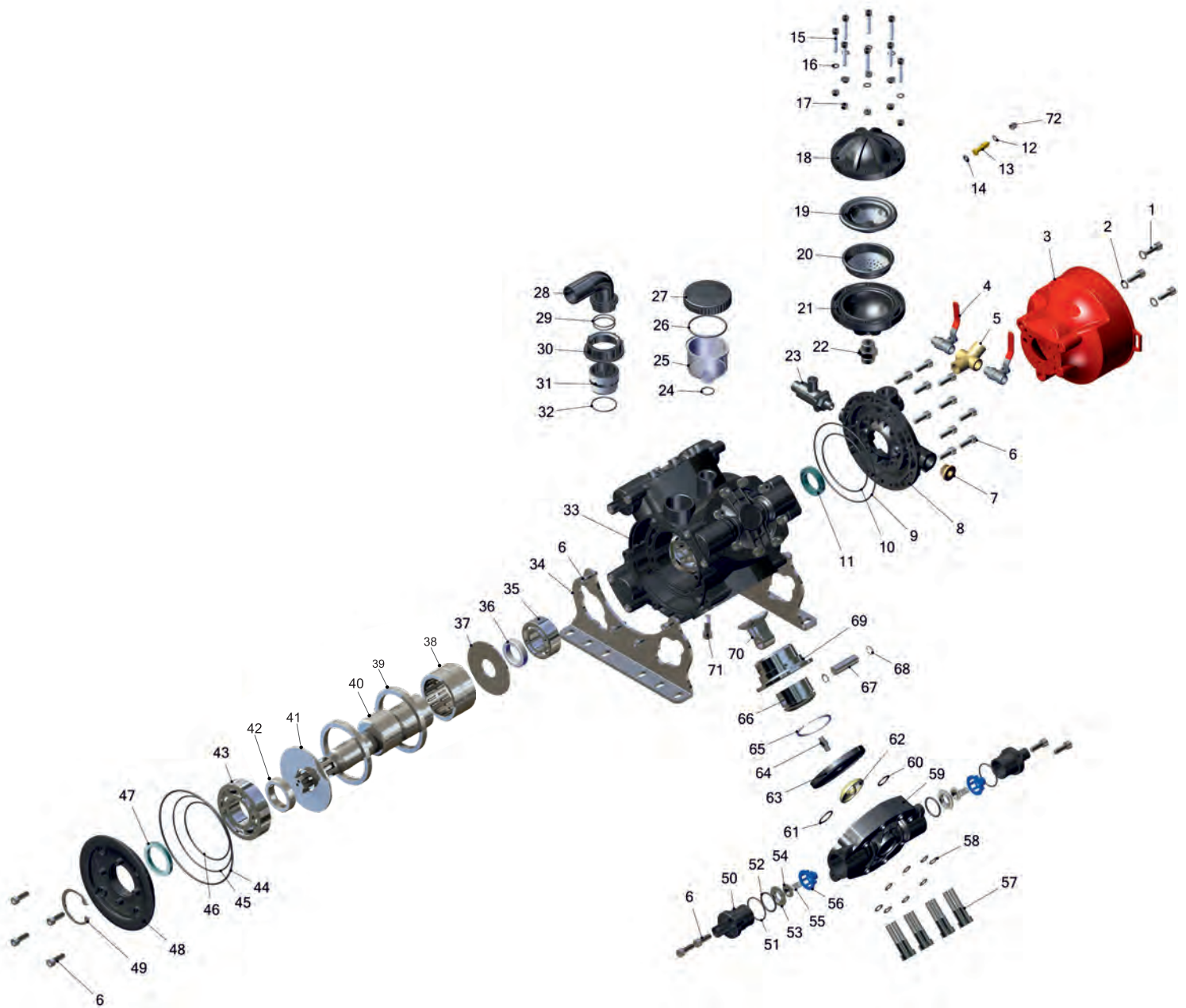


MTS-145 N



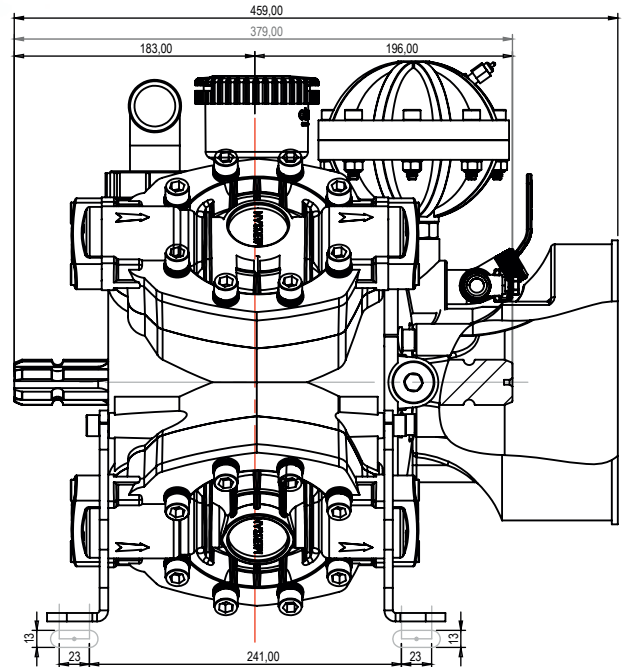
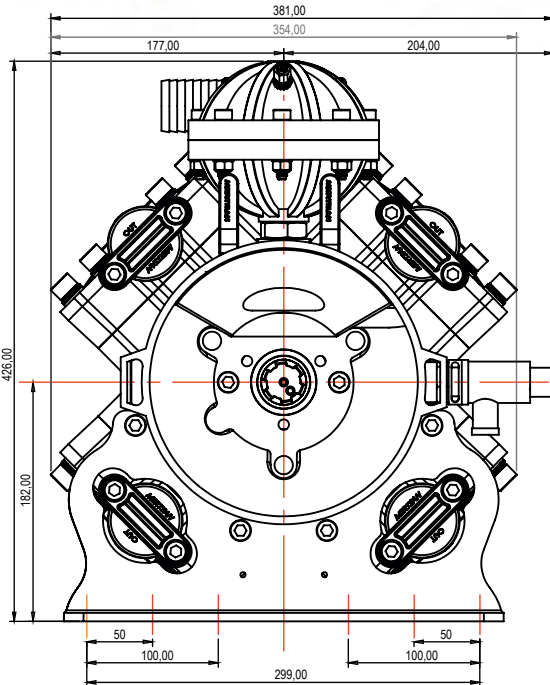
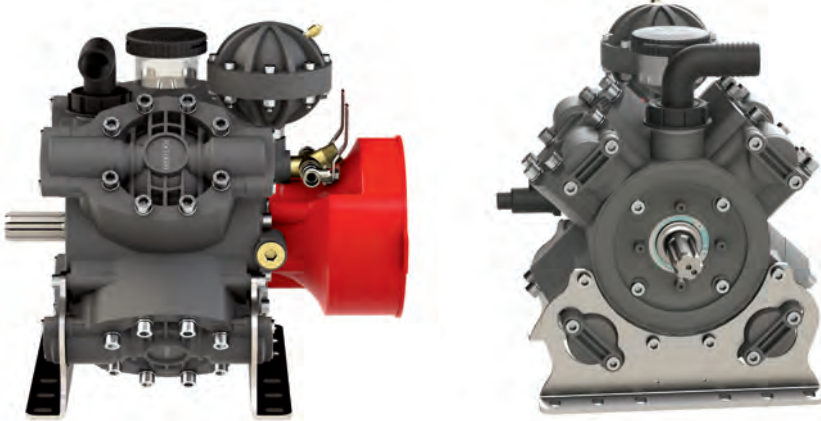
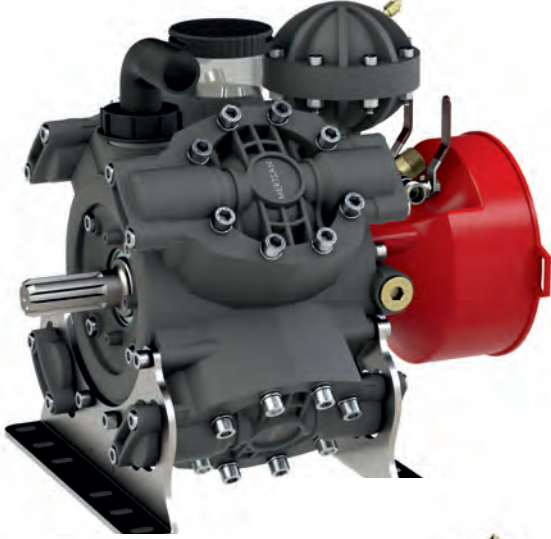
KOD/CODE	MTS-145 N
DEBİ (LT./DAK.) FLOW (LT./MIN.)	145
DEVİR (D./DAK.) SPEED (R.P.M)	540
GÜÇ (HP) POWER	18
PİSTON PISTON	4
BASINÇ (BAR) PRESSURE	50
YAĞ CİNSİ OIL TYPE	20W50
YAĞ KAPASİTESİ (LT.) OIL CAPACITY	2.0
ÖLÇÜLER (CM.) DIMENSIONS	43x38x43
AĞIRLIK (KG.) WEIGHT	44.40

MTS-145 N



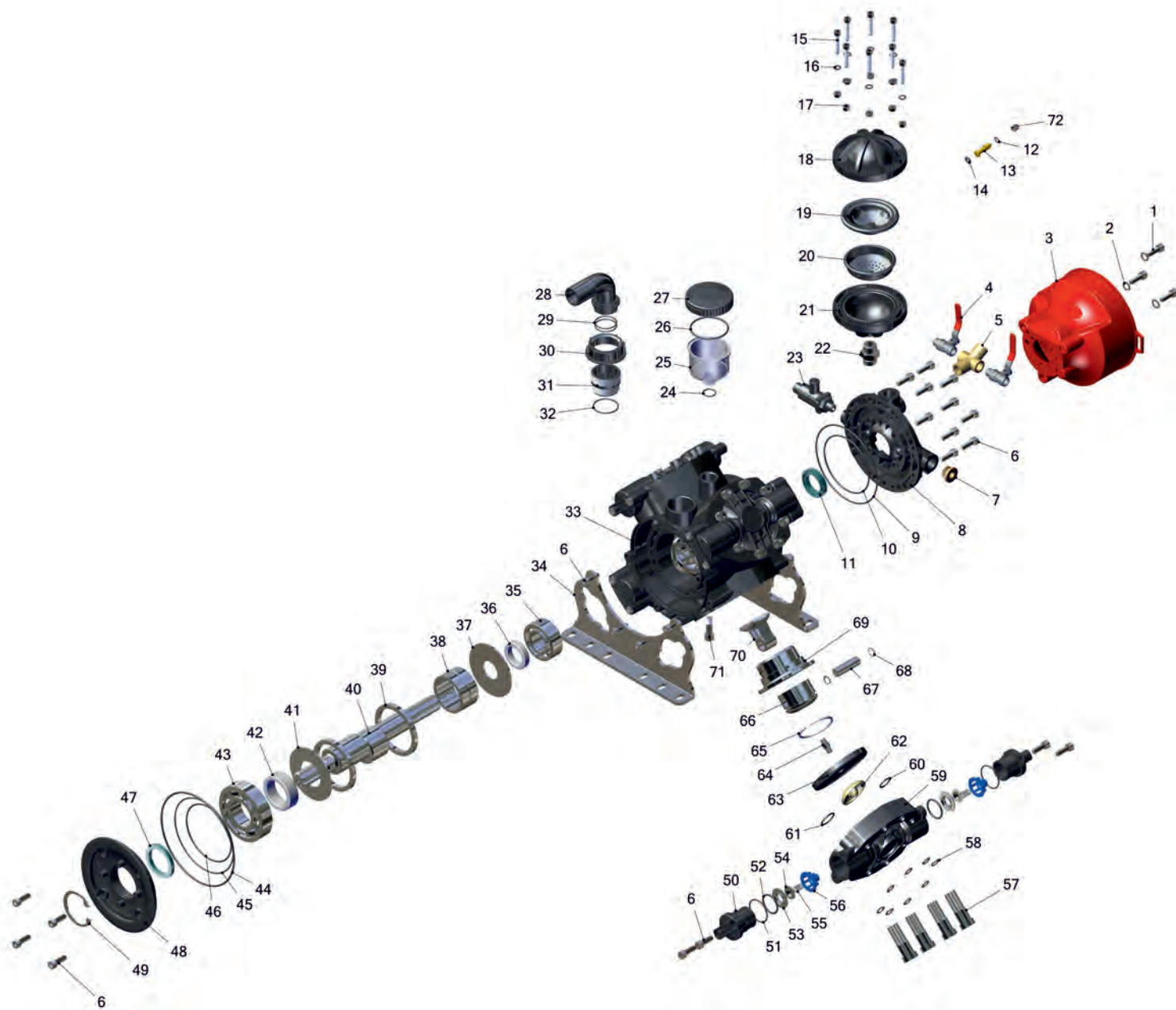
No	ÜRÜN KODU / PRODUCT CODE	AÇIKLAMA / DESCRIPTION	ÖLÇÜLER / DIMENSIONS	ADET / QTY
1	MTS-145 N/1	İMBUS CİVATA / SCREW	Ø M10x16	3
2	MTS-145 N/2	PUL / RONDELA	Ø 10 MM	3
3	MTS-145 N/3	ŞAFT MUHAFAZASI / CARDAN PROTECTION		1
4	MTS-145 N/4	VANA / VALVE	G ½"	2
5	MTS-145 N/5	PİRİNÇ DAĞITICI / BRASS DISTRIBUTOR	Ø 24x16	1
6	MTS-145 N/6	İMBUS CİVATA / SCREW	Ø M10x30	40
7	MTS-145 N/7	KÖR TAPA (METAL) / BLANKING TAP (METAL)	Ø 12x21	1
8	MTS-145 N/8	MANIFOLD KAPAĞI / MANIFOLD COVER		1
9	MTS-145 N/9	ORİNG / O-RING	Ø 196.44x3.53	1
10	MTS-145 N/10	ORİNG / O-RING	Ø 120.32 x2.62	1
11	MTS-145 N/11	KEÇE / SEAL	Ø 40x60x10	1
12	MTS-145 N/12	TIRTIKLI PUL / RONDELLA	Ø 8 MM	1
13	MTS-145 N/13	TÜP SİBOBU / AIR TUBE VALVE		1
14	MTS-145 N/14	ORİNG / O-RING	Ø 007.59x2.62	1
15	MTS-145 N/15	İMBUS CİVATA / SCREW	Ø M8x45	8
16	MTS-145 N/16	PUL / RONDELA	Ø 8 MM	8
17	MTS-145 N/17	FİBERLİ SOMUN / FIBER NUT	Ø 8 MM	8
18	MTS-145 N/18	HAVA TÜPÜ ÜST KAPAĞI / AIR TUBE UPPER ACCUMULATOR		1
19	MTS-145 N/19	HAVA TÜPÜ İÇ LASTİK / AIR TUBE INNER LASTIC		1
20	MTS-145 N/20	HAVA TÜPÜ İÇ PLASTİK / AIR TUBE INNER PLASTIC		1
21	MTS-145 N/21	HAVA TÜPÜ ALT KAPAĞI / AIR TUBE INFRA ACCUMULATOR		1
22	MTS-145 N/22	DEMİR NİPEL / NIPPLE (STAINLESS)	G ¾"	1
23	MTS-145 N/23	EMNİYET VALFİ / SAFETY VALVE	G ½"	1
24	MTS-145 N/24	ORİNG / O-RING	Ø 021.00x3.00	1
25	MTS-145 N/25	YAĞDANLIK GÖVDESİ / OILCAN		1
26	MTS-145 N/26	ORİNG / O-RING	Ø 71.44x3.5	1
27	MTS-145 N/27	YAĞDANLIK KAPAĞI / OILCAN COVER		1
28	MTS-145 N/28	DİRSEK (SU GİRİŞİ) / HOSETAIL FOR FLY NUT	G2" Ø 40x47	1
29	MTS-145 N/29	ORİNG / O-RING	Ø 040.95x2.62	2
30	MTS-145 N/30	DİRSEK SOMUNU (SU GİRİŞİ) / LOCK NUT	G2"	1
31	MTS-145 N/31	NİPEL / NIPPLE		1
32	MTS-145 N/32	ORİNG / O-RING	Ø 032.00x3.00	1
33	MTS-145 N/33	GÖVDE / CRANKCASE		1
34	MTS-145 N/34	AYAK / PUMP MOUNTING STAND		2
35	MTS-145 N/35	RULMAN / BEARING	3208	1
36	MTS-145 N/36	PLASTİK PUL / PLASTIC WASHER	Ø 58x13.5	1
37	MTS-145 N/37	KRANK PULU / CRANK WASHER	Ø 40x4	1
38	MTS-145 N/38	RULMAN / BEARING	6911	1
39	MTS-145 N/39	BİLEZİK / RING	Ø 10.10x93	2
40	MTS-145 N/40	KRANK / CRANK		1
41	MTS-145 N/41	KRANK PULU / CRANK WASHER	Ø 55.5x4	1
42	MTS-145 N/42	PLASTİK PUL / PLASTIC WASHER	Ø 50.5x25	1
43	MTS-145 N/43	RULMAN / BEARING	6311	1
44	MTS-145 N/44	ORİNG / O-RING	Ø 196.44x3.53	1
45	MTS-145 N/45	ORİNG / O-RING	Ø 158.42x2.62	1
46	MTS-145 N/46	ORİNG / O-RING	Ø 120.32x2.62	1
47	MTS-145 N/47	KEÇE / SEAL	Ø 55x72x8	1
48	MTS-145 N/48	MANIFOLD KAPAĞI / MANIFOLD COVER		1
49	MTS-145 N/49	SEGMAN / PISTON RING	Ø 72 MM	1
50	MTS-145 N/50	GÖZLÜK / PLUG		8
51	MTS-145 N/51	ORİNG / O-RING	Ø 45x2.5	8
52	MTS-145 N/52	ORİNG / O-RING	Ø 36.10x3.53	8
53	MTS-145 N/53	SİBOP KROMU / VALVE CHROMIUM		8
54	MTS-145 N/54	SİBOP PULU / VALVE WASHER		8
55	MTS-145 N/55	SİBOP YAYI / VALVE SPRING		8
56	MTS-145 N/56	SİBOP KAFESİ / VALVE CAGE		8
57	MTS-145 N/57	İMBUS CİVATA / SCREW	Ø M12x65	8
58	MTS-145 N/58	PUL / RONDELA	Ø 12 MM	8
59	MTS-145 N/59	MEMBRAN KAPAĞI / MEMBRANE COVER		4
60	MTS-145 N/60	ORİNG / O-RING	Ø 021.00x3.00	4
61	MTS-145 N/61	ORİNG / O-RING	Ø 028.00x3.00	4
62	MTS-145 N/62	MEMBRAN PULU / MEMBRANE WASHER		4
63	MTS-145 N/63	MEMBRAN LASTİĞİ / MEMBRANE RUBBER		4
64	MTS-145 N/64	MEMBRAN CİVATASI / MEMBRANE SCREW	Ø 12x30	4
65	MTS-145 N/65	SEGMAN / PISTON RING	Ø 70 MM	4
66	MTS-145 N/66	PISTON / PISTON	Ø 70 MM	4
67	MTS-145 N/67	PERNO / PERNO	Ø 18 MM	4
68	MTS-145 N/68	SEGMAN / PISTON RING	Ø 18 MM	8
69	MTS-145 N/69	GÖMLEK / PISTON SLEEVE		4
70	MTS-145 N/70	BİYEL KOLU / CONNECTION ROD		4
71	MTS-145 N/71	İMBUS CİVATA / SCREW	Ø M12x40	1
72	MTS-145 N/72	TÜP SİBOP KAPAĞI / AIR TUBE VALVE COVER		1

MTS-145 Z



KOD/CODE	MTS-145 Z
DEBİ (LT./DAK.) FLOW (LT./MIN.)	145
DEVİR (D./DAK.) SPEED (R.P.M)	540
GÜÇ (HP) POWER	18
PİSTON PISTON	4
BASINÇ (BAR) PRESSURE	50
YAĞ CİNSİ OIL TYPE	20W50
YAĞ KAPASİTESİ (LT.) OIL CAPACITY	2.0
ÖLÇÜLER (CM.) DIMENSIONS	46x38x43
AĞIRLIK (KG.) WEIGHT	45.50

MTS-145 Z



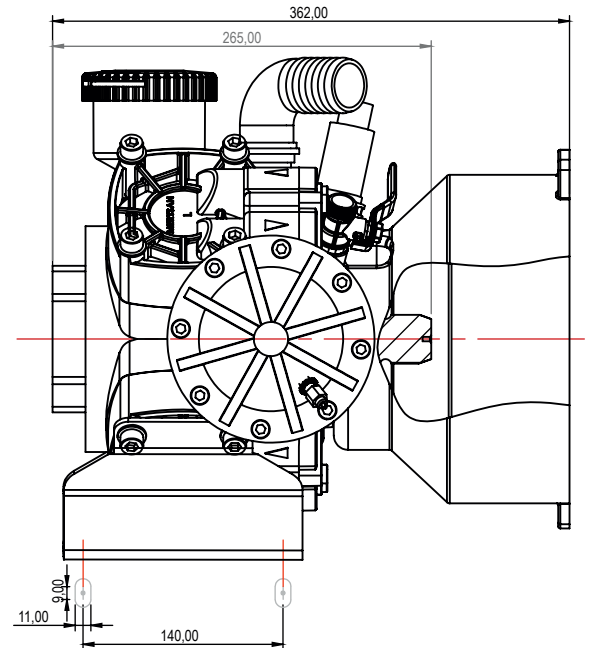
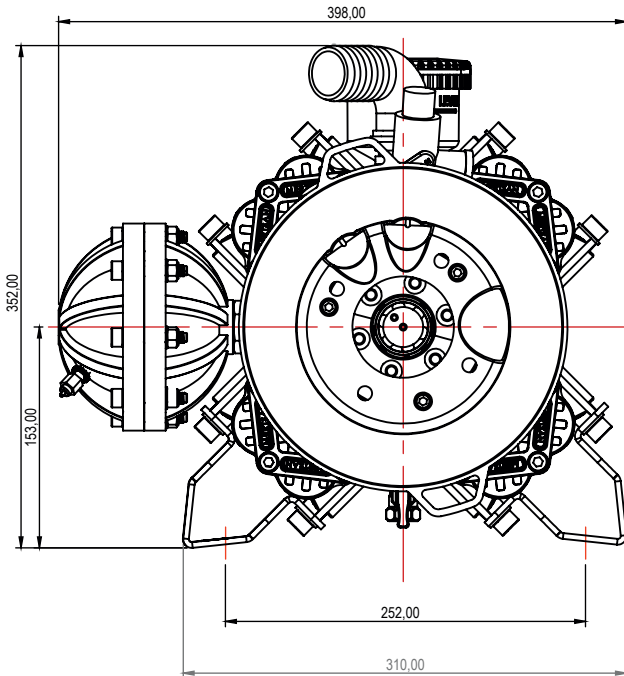
MTS-145 Z

No	ÜRÜN KODU / PRODUCT CODE	AÇIKLAMA / DESCRIPTION	ÖLÇÜLER / DIMENSIONS	ADET / QTY
1	MTS-145 Z/1	İMBUS CİVATA / SCREW	Ø M10x16	3
2	MTS-145 Z/2	PUL / RONDELA	Ø 10 MM	3
3	MTS-145 Z/3	ŞAFT MUHAFAZASI / CARDAN PROTECTION		1
4	MTS-145 Z/4	VANA / VALVE	G ½"	2
5	MTS-145 Z/5	PIRİNÇ DAĞITICI / BRASS DISTRIBUTOR	Ø 24x16	1
6	MTS-145 Z/6	İMBUS CİVATA / SCREW	Ø M10x30	40
7	MTS-145 Z/7	KÖR TAPA (METAL) / BLANKING TAP (METAL)	Ø 12x21	1
8	MTS-145 Z/8	MANIFOLD KAPAĞI / MANIFOLD COVER		1
9	MTS-145 Z/9	ORİNG / O-RING	Ø 196.44x3.53	1
10	MTS-145 Z/10	ORİNG / O-RING	Ø 120.32 x2.62	1
11	MTS-145 Z/11	KEÇE / SEAL	Ø 40x60x10	1
12	MTS-145 Z/12	TIRTIKLI PUL / RONDELLA	Ø 8 MM	1
13	MTS-145 Z/13	TÜP SİBOBU / AIR TUBE VALVE		1
14	MTS-145 Z/14	ORİNG / O-RING	Ø 007.59x2.62	1
15	MTS-145 Z/15	İMBUS CİVATA / SCREW	Ø M8x45	8
16	MTS-145 Z/16	PUL / RONDELA	Ø 8 MM	8
17	MTS-145 Z/17	FİBERLİ SOMUN / FIBER NUT	Ø 8 MM	8
18	MTS-145 Z/18	HAVA TÜPÜ ÜST KAPAĞI / AIR TUBE UPPER ACCUMULATOR		1
19	MTS-145 Z/19	HAVA TÜPÜ İÇ LASTİK / AIR TUBE INNER LASTIC		1
20	MTS-145 Z/20	HAVA TÜPÜ İÇ PLASTİK / AIR TUBE INNER PLASTIC		1
21	MTS-145 Z/21	HAVA TÜPÜ ALT KAPAĞI / AIR TUBE INFRA ACCUMULATOR		1
22	MTS-145 Z/22	DEMİR NİPEL / NIPPLE (STAINLESS)	G ¾"	1
23	MTS-145 Z/23	EMNİYET VALFİ / SAFETY VALVE	G ½"	1
24	MTS-145 Z/24	ORİNG / O-RING	Ø 021.00x3.00	1
25	MTS-145 Z/25	YAĞDANLIK GÖVDESİ / OILCAN		1
26	MTS-145 Z/26	ORİNG / O-RING	Ø 71.44x3.5	1
27	MTS-145 Z/27	YAĞDANLIK KAPAĞI / OILCAN COVER		1
28	MTS-145 Z/28	DİRSEK (SU GİRİŞİ) / HOSETAIL FOR FLY NUT	G2" Ø 40x47	1
29	MTS-145 Z/29	ORİNG / O-RING	Ø 040.95x2.62	2
30	MTS-145 Z/30	DİRSEK SOMUNU (SU GİRİŞİ) / LOCK NUT	G2"	1
31	MTS-145 Z/31	NİPEL / NIPPLE		1
32	MTS-145 Z/32	ORİNG / O-RING	Ø 032.00x3.00	1
33	MTS-145 Z/33	GÖVDE / CRANKCASE		1
34	MTS-145 Z/34	AYAK / PUMP MOUNTING STAND		2
35	MTS-145 Z/35	RULMAN / BEARING	3208	1
36	MTS-145 Z/36	PLASTİK PUL / PLASTIC WASHER	Ø 58x13.5	1
37	MTS-145 Z/37	KRANK PULU / CRANK WASHER	Ø 40x4	1
38	MTS-145 Z/38	RULMAN / BEARING	6911	1
39	MTS-145 Z/39	BİLEZİK / RING	Ø 10.10x93	2
40	MTS-145 Z/40	KRANK / CRANK		1
41	MTS-145 Z/41	KRANK PULU / CRANK WASHER	Ø 55.5x4	1
42	MTS-145 Z/42	PLASTİK PUL / PLASTIC WASHER	Ø 50.5x25	1
43	MTS-145 Z/43	RULMAN / BEARING	6311	1
44	MTS-145 Z/44	ORİNG / O-RING	Ø 196.44x3.53	1
45	MTS-145 Z/45	ORİNG / O-RING	Ø 158.42x2.62	1
46	MTS-145 Z/46	ORİNG / O-RING	Ø 120.32x2.62	1
47	MTS-145 Z/47	KEÇE / SEAL	Ø 55x72x8	1
48	MTS-145-N/48	MANIFOLD KAPAĞI / MANIFOLD COVER		1
49	MTS-145 Z/49	SEGMAN / PISTON RING	Ø 72 MM	1
50	MTS-145 Z/50	GÖZLÜK / PLUG		8
51	MTS-145 Z/51	ORİNG / O-RING	Ø 45x2.5	8
52	MTS-145 Z/52	ORİNG / O-RING	Ø 36.10x3.53	8
53	MTS-145 Z/53	SİBOP KROMU / VALVE CHROMIUM		8
54	MTS-145 Z/54	SİBOP PULU / VALVE WASHER		8
55	MTS-145 Z/55	SİBOP YAYI / VALVE SPRING		8
56	MTS-145 Z/56	SİBOP KAFESİ / VALVE CAGE		8
57	MTS-145 Z/57	İMBUS CİVATA / SCREW	Ø M12x65	8
58	MTS-145 Z/58	PUL / RONDELA	Ø 12 MM	8
59	MTS-145 Z/59	MEMBRAN KAPAĞI / MEMBRANE COVER		4
60	MTS-145 Z/60	ORİNG / O-RING	Ø 021.00x3.00	4
61	MTS-145 Z/61	ORİNG / O-RING	Ø 028.00x3.00	4
62	MTS-145 Z/62	MEMBRAN PULU / MEMBRANE WASHER		4
63	MTS-145 Z/63	MEMBRAN LASTİĞİ / MEMBRANE RUBBER		4
64	MTS-145 Z/64	MEMBRAN CİVATASI / MEMBRANE SCREW	Ø 12x30	4
65	MTS-145 Z/65	SEGMAN / PISTON RING	Ø 70 MM	4
66	MTS-145 Z/66	PISTON / PISTON	Ø 70 MM	4
67	MTS-145 Z/67	PERNO / PERNO	Ø 18 MM	4
68	MTS-145 Z/68	SEGMAN / PISTON RING	Ø 18 MM	8
69	MTS-145 Z/69	GÖMLEK / PISTON SLEEVE		4
70	MTS-145 Z/70	BİYEL KOLU / CONNECTION ROD		4
71	MTS-145 Z/71	İMBUS CİVATA / SCREW	Ø M12x40	1
72	MTS-145 Z/72	TÜP SİBOP KAPAĞI / AIR TUBE VALVE COVER		1

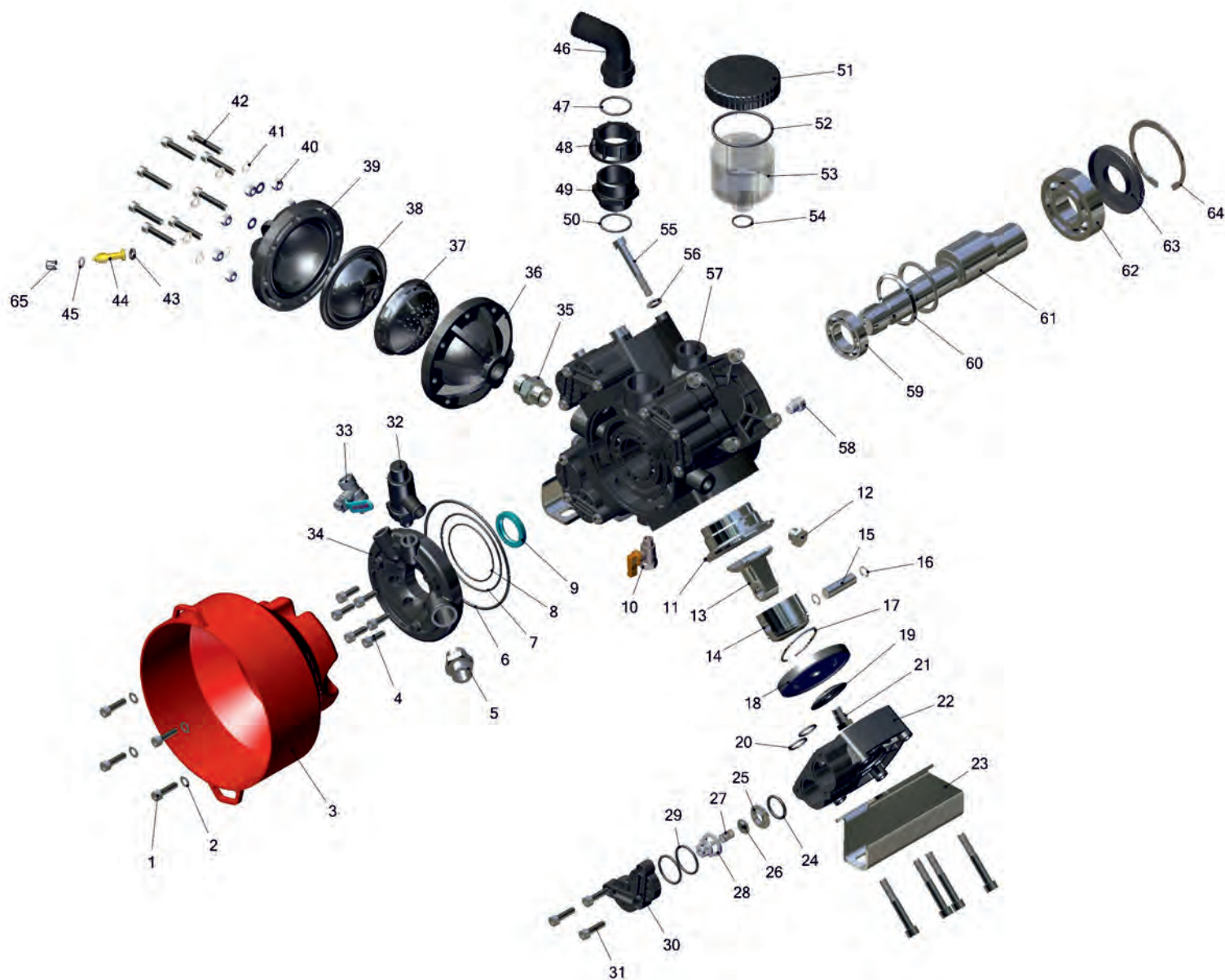
MTS-496 D



KOD/CODE	MTS-496 D
DEBİ (LT./DAK.) FLOW (LT./MIN.)	96
DEVİR (D./DAK.) SPEED (R.P.M)	540
GÜÇ (HP) POWER	11.7
PİSTON PISTON	4
BASINÇ (BAR) PRESSURE	50
YAĞ CİNSİ OIL TYPE	20W50
YAĞ KAPASİTESİ (LT.) OIL CAPACITY	1.25
ÖLÇÜLER (CM.) DIMENSIONS	36x40x35
AĞIRLIK (KG.) WEIGHT	23.25



MTS-496 D



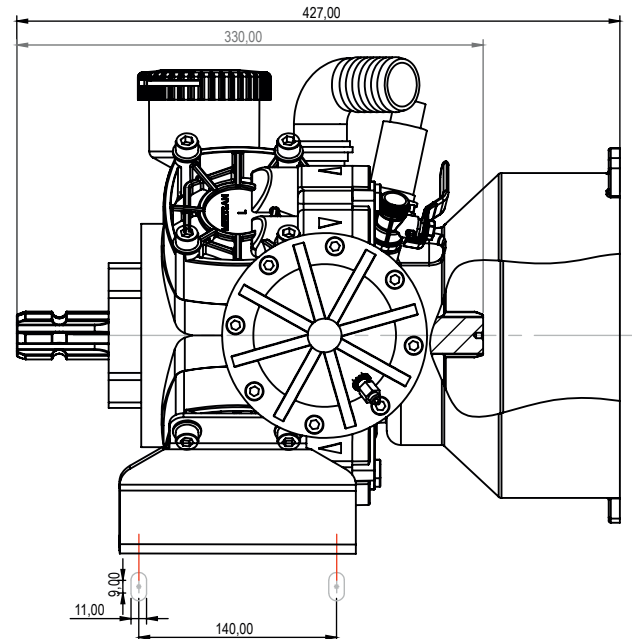
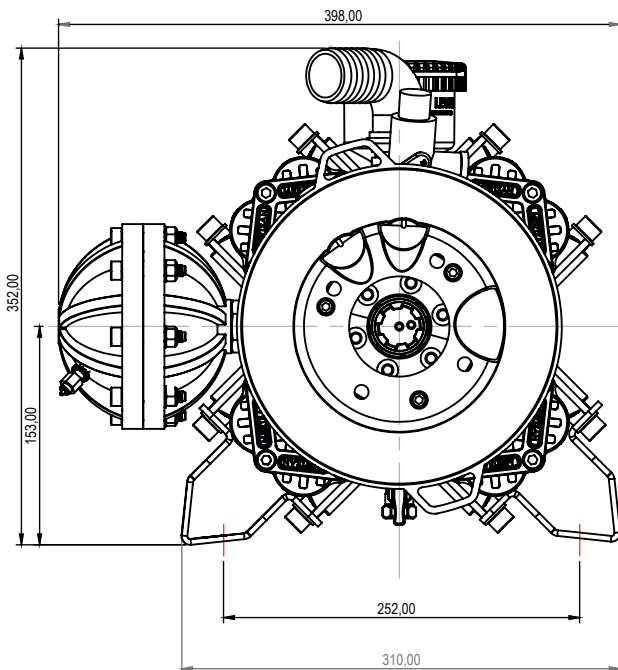
MTS-496 D

Nº	ÜRÜN KODU / PRODUCT CODE	AÇIKLAMA / DESCRIPTION	ÖLÇÜLER / DIMENSIONS	ADET / QTY
1	MTS-496 D/1	İMBUS CİVATA / SCREW	Ø M6x10	4
2	MTS-496 D/2	PUL / RONDELA	Ø 6 MM	4
3	MTS-496 D/3	ŞAFT MUHAFAZASI / CARDAN PROTECTION		1
4	MTS-496 D/4	İMBUS CİVATA / SCREW	Ø M8x25	6
5	MTS-496 D/5	DEMİR NİPEL / NIPPLE (STAINLESS)	Ø G ¾"	1
6	MTS-496 D/6	ORİNG / O-RING	Ø 0145.72x2.62	1
7	MTS-496 D/7	ORİNG / O-RING	Ø 100.00x2.00	1
8	MTS-496 D/8	ORİNG / O-RING	Ø 074.00x2.00	1
9	MTS-496 D/9	KEÇE / SEAL	Ø 35x47x7	1
10	MTS-496 D/10	KELEBEK VANA / BALL VALVE	G ¾" M ¾" F	1
11	MTS-496 D/11	GÖMLEK / PISTON SLEEVE		4
12	MTS-496 D/12	KÖR TAPA / BLANKING TAP		1
13	MTS-496 D/13	BİYEL KOLU / CONNECTION ROD		4
14	MTS-496 D/14	PISTON / PISTON	Ø 58	4
15	MTS-496 D/15	PERNO / PERNO	Ø 14	4
16	MTS-496 D/16	SEGMAN / PISTON RING	Ø 14	8
17	MTS-496 D/17	SEGMAN / PISTON RING	Ø 58	4
18	MTS-496 D/18	MEMBRAN LASTİĞİ / MEMBRANE RUBBER		4
19	MTS-496 D/19	MEMBRAN PULU / MEMBRANE WASHER		4
20	MTS-496 D/20	ORİNG / O-RING	Ø 21x3	8
21	MTS-496 D/21	MEMBRAN CİVATASI / MEMBRANE HOLDER SCREW	Ø M12x20	4
22	MTS-496 D/22	MEMBRAN KAPAĞI / MEMBRANE COVER		4
23	MTS-496 D/23	AYAK / PUMP MOUNTING STAND		2
24	MTS-496 D/24	ORİNG / O-RING	Ø 024.99x3.53	8
25	MTS-496 D/25	SİBOP KROMU / VALVE CHROMIUM		8
26	MTS-496 D/26	SİBOP PULU / VALVE WASHER		8
27	MTS-496 D/27	SİBOP YAYI / VALVE SPRING		8
28	MTS-496 D/28	SİBOP KAFESİ / VALVE CAGE		8
29	MTS-496 D/29	ORİNG / O-RING	Ø 033x3.00	8
30	MTS-496 D/30	GÖZLÜK / PLUG		4
31	MTS-496 D/31	İMBUS CİVATA / SCREW	Ø M8x30	12
32	MTS-496 D/32	EMNİYET VALFİ / SAFETY VALVE	G ¾"	1
33	MTS-496 D/33	VANA / VALVE	G ¾"	1
34	MTS-496 D/34	MANİFOLD KAPAĞI / MANIFOLD COVER		1
35	MTS-496 D/35	DEMİR NİPEL / NIPPLE (STAINLESS)	G ¾"	1
36	MTS-496 D/36	HAVA TÜPÜ ALT KAPAĞI / AIR TUBE INFRA ACCUMULATOR		1
37	MTS-496 D/37	HAVA TÜPÜ İÇ PLASTİK / AIR TUBE INNER PLASTIC		1
38	MTS-496 D/38	HAVA TÜPÜ İÇ LASTİK / AIR TUBE INNER LASTIC		1
39	MTS-496 D/39	HAVA TÜPÜ ÜST KAPAĞI / AIR TUBE UPPER ACCUMULATOR		1
40	MTS-496 D/40	FİBERLİ SOMUN / FIBER NUT	Ø M8	8
41	MTS-496 D/41	PUL / RONDELA	Ø 8 MM	8
42	MTS-496 D/42	İMBUS CİVATA / SCREW	Ø M8x45	8
43	MTS-496 D/43	ORİNG / O-RING	Ø 7.59x2.62	1
44	MTS-496 D/44	TÜP SİBOBU / AIR TUBE VALVE		1
45	MTS-496 D/45	TIRTIKLI PUL / RONDELA	Ø 8 MM	1
46	MTS-496 D/46	DİRSEK (SU GİRİŞİ) / HOSETAIL FOR FLY NUT	Ø 38x40/32x37	1
47	MTS-496 D/47	ORİNG / O-RING	Ø 027.00x4.00	1
48	MTS-496 D/48	DİRSEK SOMUNU (SU GİRİŞİ) / LOCK NUT	Ø G1 ½"	1
49	MTS-496 D/49	NİPEL / NIPPLE		1
50	MTS-496 D/50	ORİNG / O-RING	Ø 024.99x3.53	1
51	MTS-496 D/51	YAĞDANLIK KAPAĞI / OILCAN COVER		1
52	MTS-496 D/52	ORİNG / O-RING	Ø 071.44x3.53	1
53	MTS-496 D/53	YAĞDANLIK GÖVDESİ / OILCAN		1
54	MTS-496 D/54	ORİNG / O-RING	Ø 021.00x3.00	1
55	MTS-496 D/55	İMBUS CİVATA / SCREW	Ø M10x70	16
56	MTS-496 D/56	PUL / RONDELA	Ø 10 MM	12
57	MTS-496 D/57	GÖVDE / CRANKCASE		1
58	MTS-496 D/58	YAĞ BOŞALTIMA TAPASI / OIL OUTPUT TAP		1
59	MTS-496 D/59	RULMAN / BEARING	6207	1
60	MTS-496 D/60	BİLEZİK / RING	Ø 5.5x60	2
61	MTS-496 D/61	KRANK / CRANK		1
62	MTS-496 D/62	RULMAN / BEARING	6308	1
63	MTS-496 D/63	KEÇE / SEAL	Ø 40x90x10	1
64	MTS-496 D/64	SEGMAN / PISTON RING	Ø 90	1
65	MTS-496 D/65	TÜP SİBOP KAPAĞI / AIR TUBE VALVE COVER		1

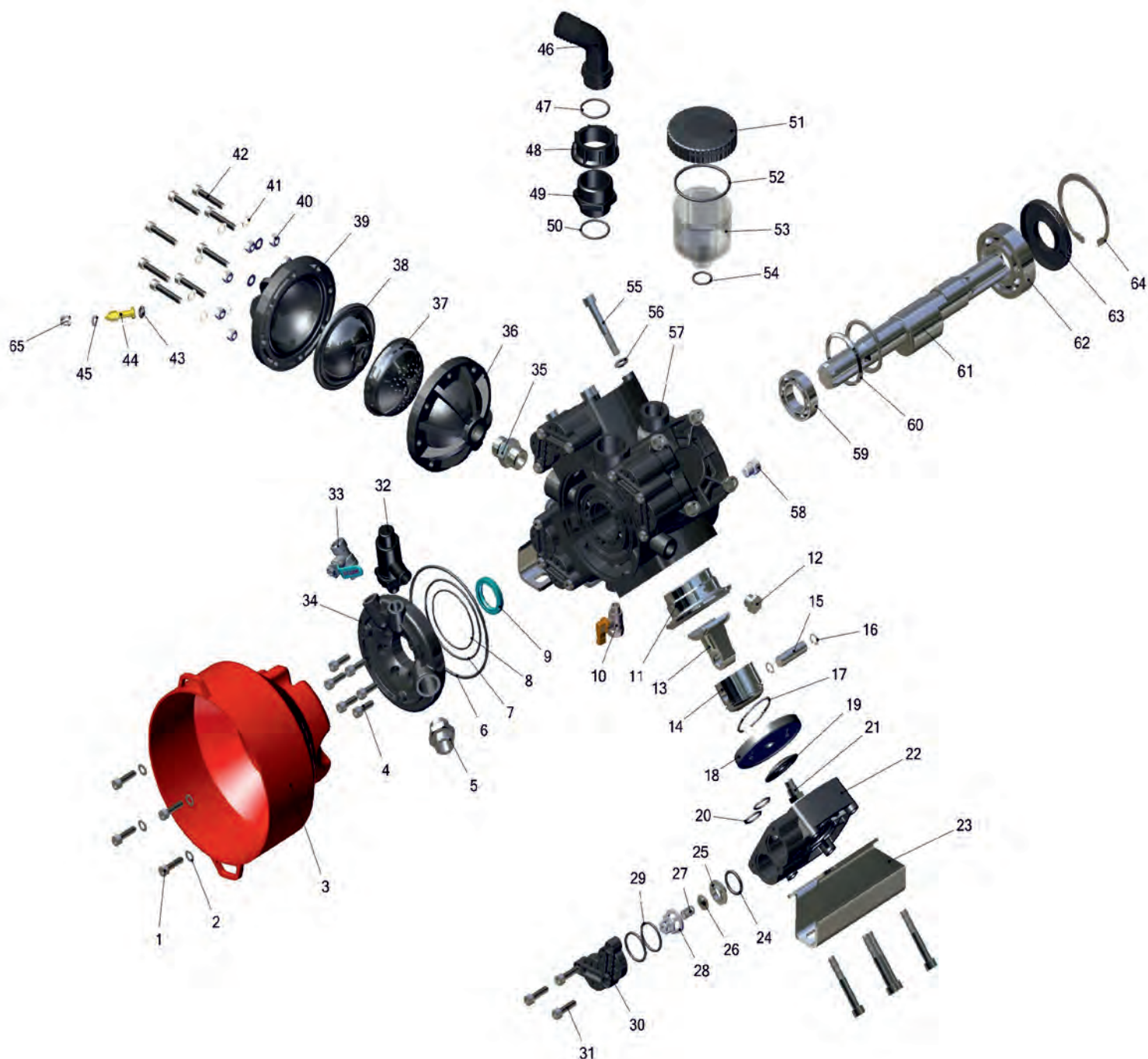
MTS-496 Z



KOD/CODE	MTS-496 Z
DEBİ (LT./DAK.) FLOW (LT./MIN.)	96
DEVİR (D./DAK.) SPEED (R.P.M)	540
GÜÇ (HP) POWER	11.7
PİSTON PISTON	4
BASINÇ (BAR) PRESSURE	50
YAĞ CİNSİ OIL TYPE	20W50
YAĞ KAPASİTESİ (LT.) OIL CAPACITY	1.25
ÖLÇÜLER (CM.) DIMENSIONS	43x40x35
AĞIRLIK (KG.) WEIGHT	24.45



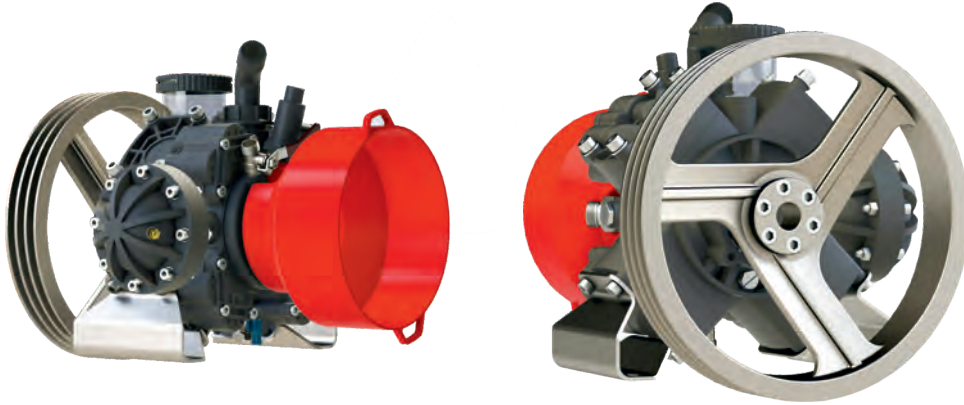
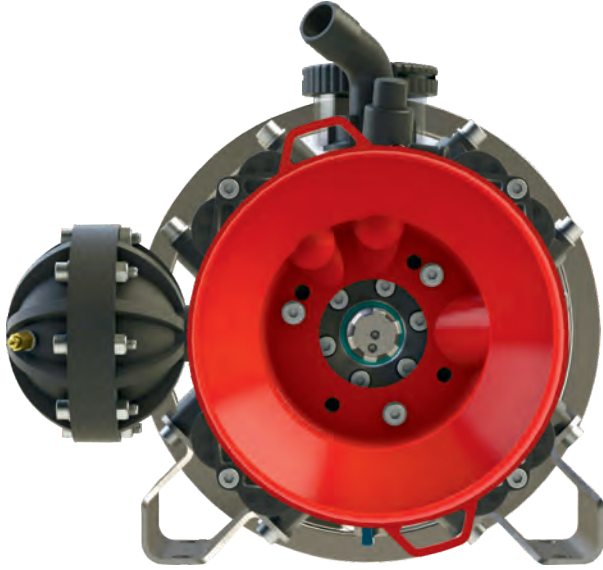
MTS-496 Z



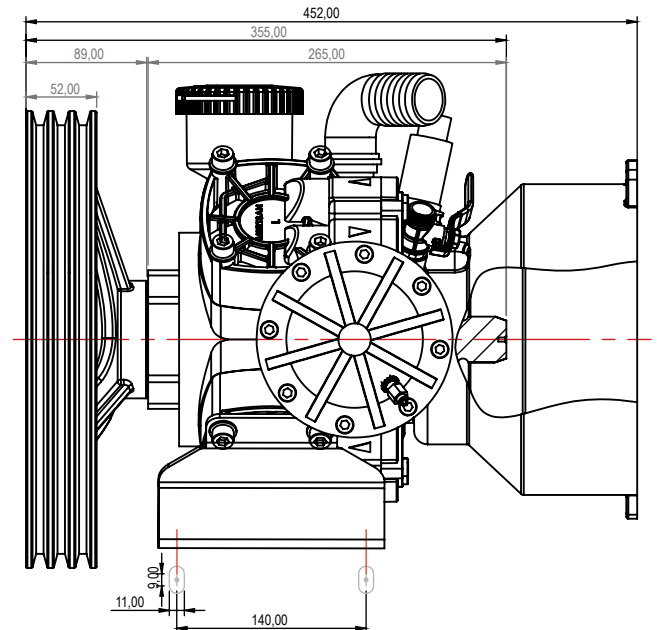
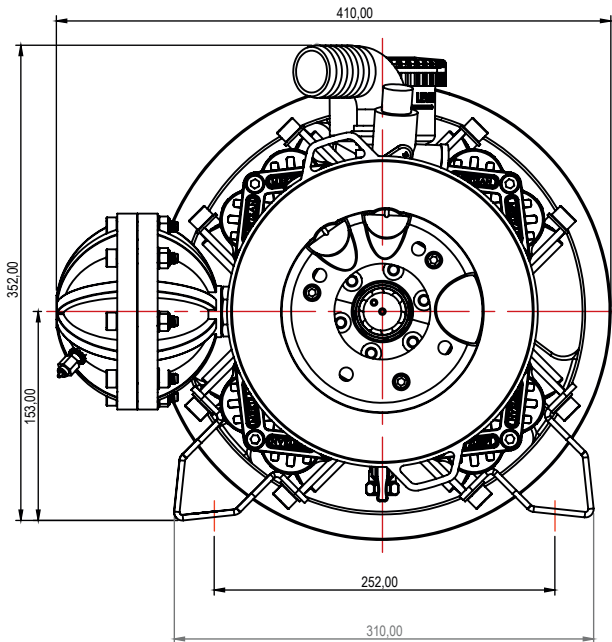
MTS-496 Z

No	ÜRÜN KODU / PRODUCT CODE	AÇIKLAMA / DESCRIPTION	ÖLÇÜLER / DIMENSIONS	ADET / QTY
1	MTS-496 Z/1	İMBUS CİVATA / SCREW	Ø M6x10	4
2	MTS-496 Z/2	PUL / RONDELA	Ø 6 MM	4
3	MTS-496 Z/3	ŞAFT MUHAFAZASI / CARDAN PROTECTION		1
4	MTS-496 Z/4	İMBUS CİVATA / SCREW	Ø M8x25	6
5	MTS-496 Z/5	DEMİR NİPEL / NIPPLE (STAINLESS)	G ¾"	1
6	MTS-496 Z/6	ORİNG / O-RING	Ø 145.72x2.62	1
7	MTS-496 Z/7	ORİNG / O-RING	Ø 100.00x2.00	1
8	MTS-496 Z/8	ORİNG / O-RING	Ø 074.00x2.00	1
9	MTS-496 Z/9	KEÇE / SEAL	Ø 35x47x7	1
10	MTS-496 Z/10	KELEBEK VANA / BALL VALVE	G ¾" M ¾" F	1
11	MTS-496 Z/11	GÖMLEK / PISTON SLEEVE		4
12	MTS-496 Z/12	KÖR TAPA / BLANKING TAP		1
13	MTS-496 Z/13	BİYEL KOLU / CONNECTION ROD		4
14	MTS-496 Z/14	PISTON / PISTON	Ø 58	4
15	MTS-496 Z/15	PERNO / PERNO	Ø 14	4
16	MTS-496 Z/16	SEGMAN / PISTON RING	Ø 14	8
17	MTS-496 Z/17	SEGMAN / PISTON RING	Ø 58	4
18	MTS-496 Z/18	MEMBRAN LASTİĞİ / MEMBRANE RUBBER		4
19	MTS-496 Z/19	MEMBRAN PULU / MEMBRANE WASHER		4
20	MTS-496 Z/20	ORİNG / O-RING	Ø 021.00x3.00	8
21	MTS-496 Z/21	MEMBRAN CİVATASI / MEMBRANE HOLDER SCREW	Ø M12x20	4
22	MTS-496 Z/22	MEMBRAN KAPAĞI / MEMBRANE COVER		4
23	MTS-496 Z/23	AYAK / PUMP MOUNTING STAND		2
24	MTS-496 Z/24	ORİNG / O-RING	Ø 024.99x3.00	8
25	MTS-496 Z/25	SİBOP KROMU / VALVE CHROMIUM		8
26	MTS-496 Z/26	SİBOP PULU / VALVE WASHER		8
27	MTS-496 Z/27	SİBOP YAYI / VALVE SPRING		8
28	MTS-496 Z/28	SİBOP KAFESİ / VALVE CAGE		8
29	MTS-496 Z/29	ORİNG / O-RING	Ø 033.00x3.00	8
30	MTS-496 Z/30	GÖZLÜK / PLUG		4
31	MTS-496 Z/31	İMBUS CİVATA / SCREW	Ø M8x30	12
32	MTS-496 Z/32	EMNİYET VALFİ / SAFETY VALVE	G ¾"	1
33	MTS-496 Z/33	VANA / VALVE	G ¾"	1
34	MTS-496 Z/34	MANİFOLD KAPAĞI / MANIFOLD COVER		1
35	MTS-496 Z/35	DEMİR NİPEL / NIPPLE (STAINLESS)	G ¾"	1
36	MTS-496 Z/36	HAVA TÜPÜ ALT KAPAK / AIR TUBE INFRA ACCUMULATOR		1
37	MTS-496 Z/37	HAVA TÜPÜ İÇ PLASTİK / AIR TUBE INNER PLASTIC		1
38	MTS-496 Z/38	HAVA TÜPÜ İÇ LASTİK / AIR TUBE INNER LATIC		1
39	MTS-496 Z/39	HAVA TÜPÜ ÜST KAPAK / AIR TUBE UPPER ACCUMULATOR		1
40	MTS-496 Z/40	FİBERLİ SOMUN / FIBER NUT	Ø 8 MM	8
41	MTS-496 Z/41	TİRTİKLİ PUL / RONDELA	Ø 8 MM	8
42	MTS-496 Z/42	İMBUS CİVATA / SCREW	Ø M8x45	8
43	MTS-496 Z/43	ORİNG / O-RING	Ø 007.59x2.62	1
44	MTS-496 Z/44	TÜP SİBOBU / AIR TUBE VALVE		1
45	MTS-496 Z/45	TİRTİKLİ PUL / RONDELA	Ø 8 MM	1
46	MTS-496 Z/46	DİRSEK (SU GİRİŞİ) / HOSETAIL FOR FLY NUT	G1 ¼" Ø 32x32	1
47	MTS-496 Z/47	ORİNG / O-RING	Ø 027.00x4	1
48	MTS-496 Z/48	DİRSEK SOMUNU (SU GİRİŞİ) / LOCK NUT	G1 ¼"	1
49	MTS-496 Z/49	NİPEL / NIPPLE		1
50	MTS-496 Z/50	ORİNG / O-RING	Ø 024.99x3.53	1
51	MTS-496 Z/51	YAĞDANLIK KAPAĞI / OILCAN COVER		1
52	MTS-496 Z/52	ORİNG / O-RING	Ø 071.44x3.53	1
53	MTS-496 Z/53	YAĞDANLIK GÖVDESİ / OILCAN		1
54	MTS-496 Z/54	ORİNG / O-RING	Ø 021.00x3.00	1
55	MTS-496 Z/55	İMBUS CİVATA / SCREW	Ø M10x70	16
56	MTS-496 Z/56	PUL / RONDELA	Ø 10 MM	12
57	MTS-496 Z/57	GÖVDE / CRANKCASE		1
58	MTS-496 Z/58	YAĞ BOŞALTIMA TAPASI / OIL OUTPUT TAP		1
59	MTS-496 Z/59	RULMAN / BEARING	6207	1
60	MTS-496 Z/60	BİLEZİK / RING	Ø 5.5x60	2
61	MTS-496 Z/61	KRANK / CRANK		1
62	MTS-496 Z/62	RULMAN / BEARING	6308	1
63	MTS-496 Z/63	KEÇE / SEAL	Ø 40x90x10	1
64	MTS-496 Z/64	SEGMAN / PISTON RING	Ø 90	1
65	MTS-496 Z/65	TÜP SİBOP KAPAĞI / AIR TUBE VALVE COVER		1

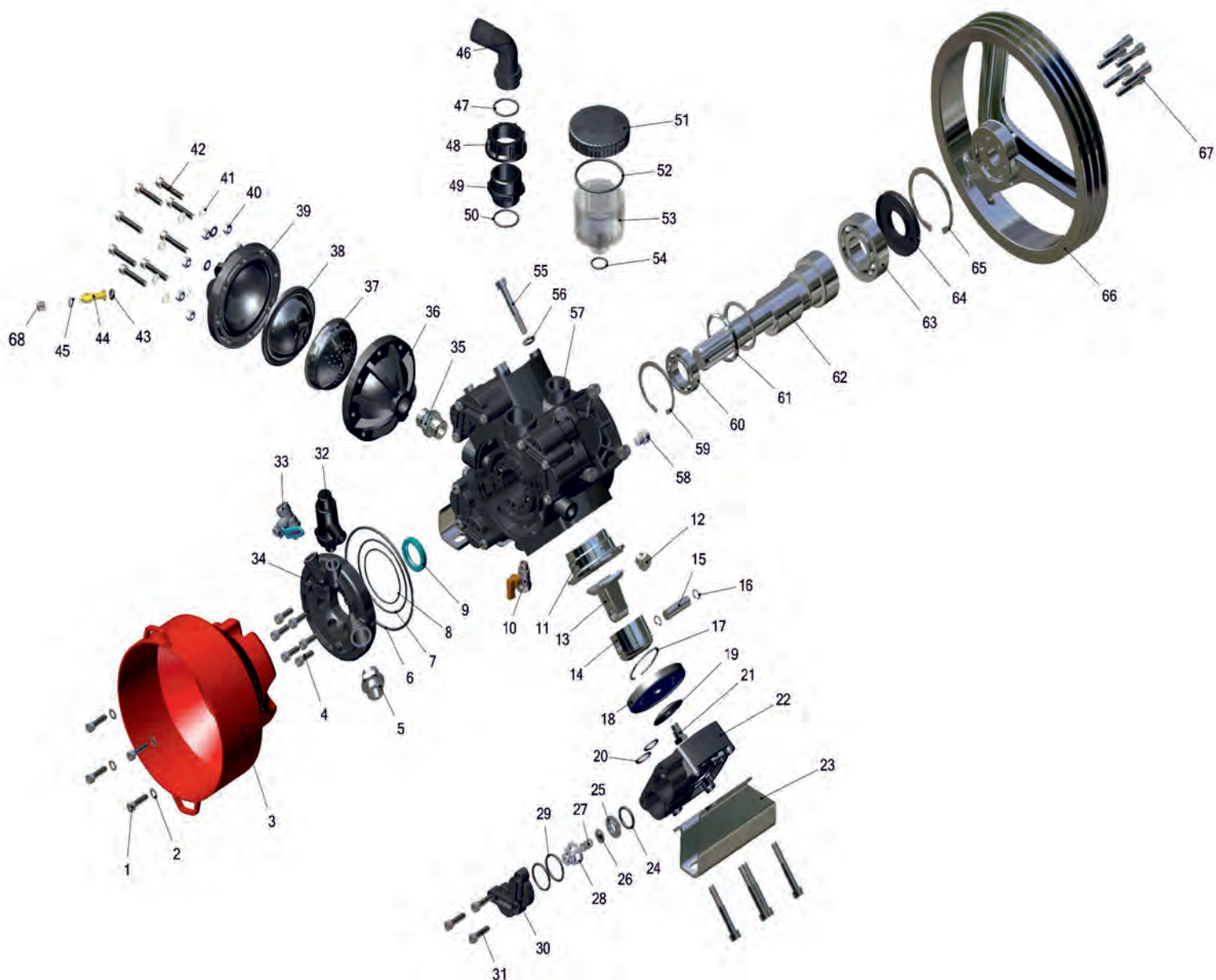
MTS-496 PK



KOD/CODE	MTS-496 PK
DEBİ (LT./DAK.) FLOW (LT./MIN.)	96
DEVİR (D./DAK.) SPEED (R.P.M)	540
GÜÇ (HP) POWER	11.7
PİSTON PISTON	4
BASINÇ (BAR) PRESSURE	50
YAĞ CİNSİ OIL TYPE	20W50
YAĞ KAPASİTESİ (LT.) OIL CAPACITY	1.25
ÖLÇÜLER (CM.) DIMENSIONS	45x41x35
AĞIRLIK (KG.) WEIGHT	27.9



MTS-496 PK



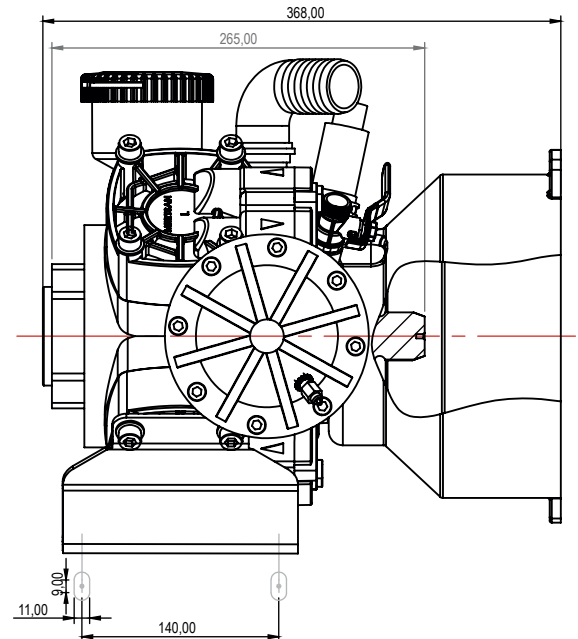
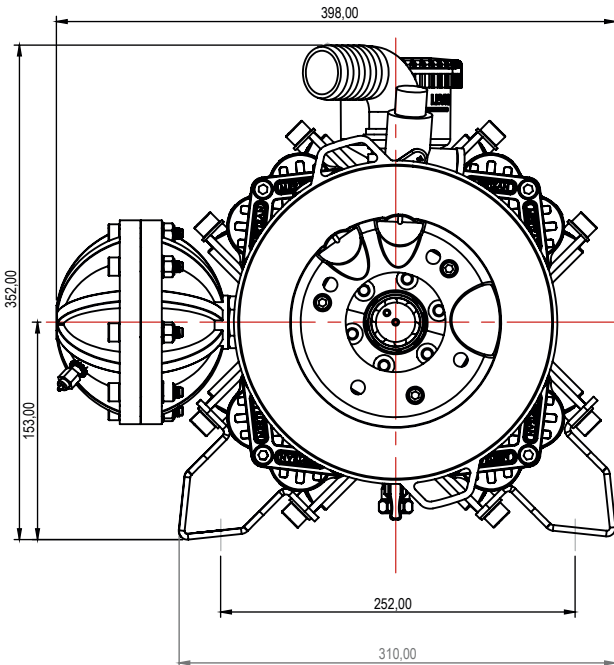
MTS-496 PK

№	PRODUCT CODE / ÜRÜN KODU	AÇIKLAMA / DESCRIPTION	ÖLÇÜLER / DIMENSIONS	ADET / QTY
1	MTS-496 PK/1	İMBUS CİVATA / SCREW	Ø M6x10	4
2	MTS-496 PK/2	PUL / RONDELA	Ø 6 MM	4
3	MTS-496 PK/3	ŞAFT MUHAFAZASI / CARDAN PROTECTION		1
4	MTS-496 PK/4	İMBUS CİVATA / SCREW	Ø 8x25	6
5	MTS-496 PK/5	DEMİR NİPEL / NIPPLE (STAINLESS)	G ¾"	1
6	MTS-496 PK/6	ORİNG / O-RING	Ø 145.72x2.62	1
7	MTS-496 PK/7	ORİNG / O-RING	Ø 100.00x2.00	1
8	MTS-496 PK/8	ORİNG / O-RING	Ø 074.00x2.00	1
9	MTS-496 PK/9	KEÇE / SEAL	Ø 35x47x7	1
10	MTS-496 PK/10	KELEBEK VANA / BALL VALVE	G ¾" M ¾" F	1
11	MTS-496 PK/11	GÖMLEK / PISTON SLEEVE		4
12	MTS-496 PK/12	KÖR TAPA / BLANKING TAP		1
13	MTS-496 PK/13	BİYEL KOLU / CONNECTION ROD		4
14	MTS-496 PK/14	PİSTON / PISTON	Ø 58	4
15	MTS-496 PK/15	PERNO / PERNO	Ø 14	4
16	MTS-496 PK/16	SEGMAN / PISTON RING	Ø 14	8
17	MTS-496 PK/17	SEGMAN / PISTON RING	Ø 58	4
18	MTS-496 PK/18	MEMBRAN LASTİĞİ / MEMBRANE RUBBER		4
19	MTS-496 PK/19	MEMBRAN PULU / MEMBRANE WASHER		4
20	MTS-496 PK/20	ORİNG / O-RING	Ø 021.00x3.00	8
21	MTS-496 PK/21	MEMBRAN CİVATASI / MEMBRANE HOLDER SCREW	Ø M12x20	4
22	MTS-496 PK/22	MEMBRAN KAPAĞI / MEMBRANE COVER		4
23	MTS-496 PK/23	AYAK / PUMP MOUNTING STAND		2
24	MTS-496 PK/24	ORİNG / O-RING	Ø 24.99x3.53	8
25	MTS-496 PK/25	SİBOP KROMU / VALVE CHROMIUM		8
26	MTS-496 PK/26	SİBOP PULU / VALVE WASHER		8
27	MTS-496 PK/27	SİBOP YAYI / VALVE SPRING		8
28	MTS-496 PK/28	SİBOP KAFESİ / VALVE CAGE		8
29	MTS-496 PK/29	ORİNG / O-RING	Ø 033.00x3.00	8
30	MTS-496 PK/30	GÖZLÜK / PLUG		4
31	MTS-496 PK/31	İMBUS CİVATA / SCREW	Ø M8x30	12
32	MTS-496 PK/32	EMNİYET VALFİ / SAFETY VALVE	G ¾"	1
33	MTS-496 PK/33	VANA / VALVE	G ¾"	1
34	MTS-496 PK/34	MANİFOLD KAPAĞI / MANIFOLD COVER		1
35	MTS-496 PK/35	DEMİR NİPEL / NIPPLE (STAINLESS)	G ¾"	1
36	MTS-496 PK/36	HAVA TÜPÜ ALT KAPAK / AIR TUBE INFRA ACCUMULATOR		1
37	MTS-496 PK/37	HAVA TÜPÜ İÇ PLASTİK / AIR TUBE INNER PLASTIC		1
38	MTS-496 PK/38	HAVA TÜPÜ İÇ LASTİK / AIR TUBE INNER LASTIC		1
39	MTS-496 PK/39	HAVA TÜPÜ ÜST KAPAK / AIR TUBE UPPER ACCUMULATOR		1
40	MTS-496 PK/40	FİBERLİ SOMUN / FIBER NUT	Ø M8 MM	8
41	MTS-496 PK/41	PUL / RONDELA	Ø 8 MM	8
42	MTS-496 PK/42	İMBUS CİVATA / SCREW	Ø M8x45	8
43	MTS-496 PK/43	ORİNG / O-RING	Ø 007.597x2.62	1
44	MTS-496 PK/44	TÜP SİBOBU / AIR TUBE VALVE		1
45	MTS-496 PK/45	TİRTİKLİ PUL / RONDELA	Ø 8 MM	1
46	MTS-496 PK/46	DİRSEK (SU GİRİŞİ) / HOSETAIL FOR FLY NUT	Ø 38x40/32X37	1
47	MTS-496 PK/47	ORİNG / O-RING	Ø 33x3	1
48	MTS-496 PK/48	DİRSEK SOMUNU (SU GİRİŞİ) / LOCK NUT	G 1½"	1
49	MTS-496 PK/49	NİPEL / NIPPLE		1
50	MTS-496 PK/50	ORİNG / O-RING	Ø 024.99x3.53	1
51	MTS-496 PK/51	YAĞDANLIK KAPAĞI / OILCAN COVER		1
52	MTS-496 PK/52	ORİNG / O-RING	Ø 071.44x3.53	1
53	MTS-496 PK/53	YAĞDANLIK GÖVDESİ / OILCAN		1
54	MTS-496 PK/54	ORİNG / O-RING	Ø 021.00x3.00	1
55	MTS-496 PK/55	İMBUS CİVATA / SCREW	Ø M10x70	16
56	MTS-496 PK/56	PUL / RONDELA	Ø 10 MM	12
57	MTS-496 PK/57	GÖVDE / CRANK CASE		1
58	MTS-496 PK/58	YAĞ BOŞALTMA TAPASI / OIL OUTPUT TAP		1
59	MTS-496 PK/59	SEGMAN / PISTON RING	Ø 55	1
60	MTS-496 PK/60	RULMAN / BEARING	6207	1
61	MTS-496 PK/61	BİLEZİK / RING	Ø 5.5x60	2
62	MTS-496 PK/62	KRANK / CRANK		1
63	MTS-496 PK/63	RULMAN / BEARING	6011	1
64	MTS-496 PK/64	KEÇE / SEAL	Ø 70x90x10	1
65	MTS-496 PK/65	SEGMAN / PISTON RING	Ø 90	1
66	MTS-496 PK/66	KASNAK / PULLEY		1
67	MTS-496 PK/67	İMBUS CİVATA / SCREW	Ø M10x45	6
68	MTS-496 PK/68	TÜP SİBOP KAPAĞI / AIR TUBE VALVE COVER		1

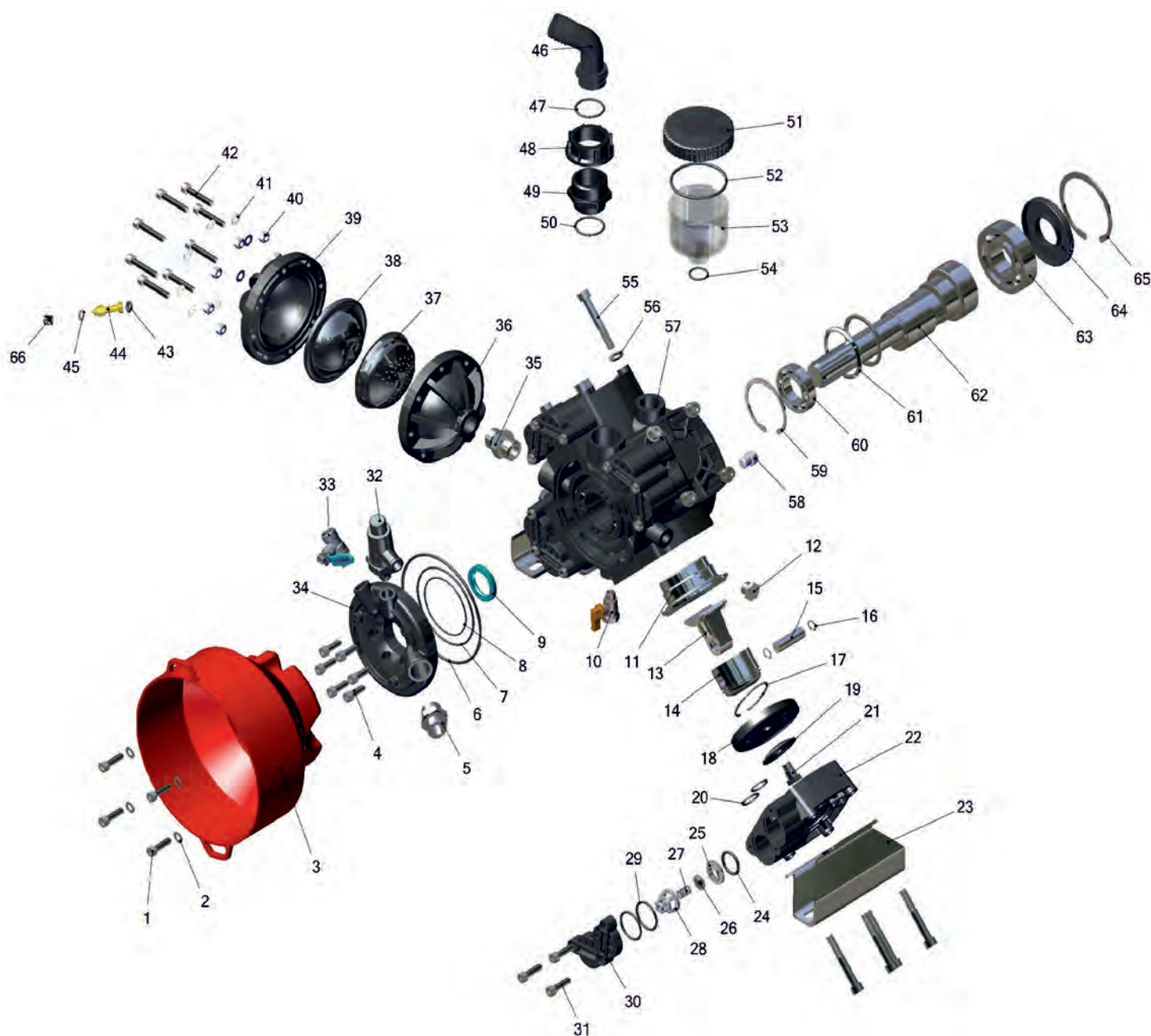
MTS-496 P



KOD/CODE	MTS-496 P
DEBİ (LT./DAK.) FLOW (LT./MIN.)	96
DEVİR (D./DAK.) SPEED (R.P.M)	540
GÜÇ (HP) POWER	11.7
PİSTON PISTON	4
BASINÇ (BAR) PRESSURE	50
YAĞ CİNSİ OIL TYPE	20W50
YAĞ KAPASİTESİ (LT.) OIL CAPACITY	1.25
ÖLÇÜLER (CM.) DIMENSIONS	37x40x35
AĞIRLIK (KG.) WEIGHT	24.3



MTS-496 P



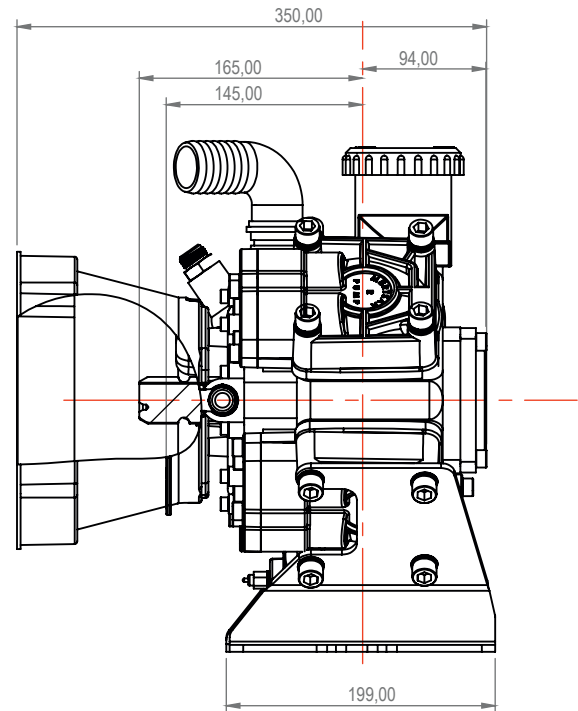
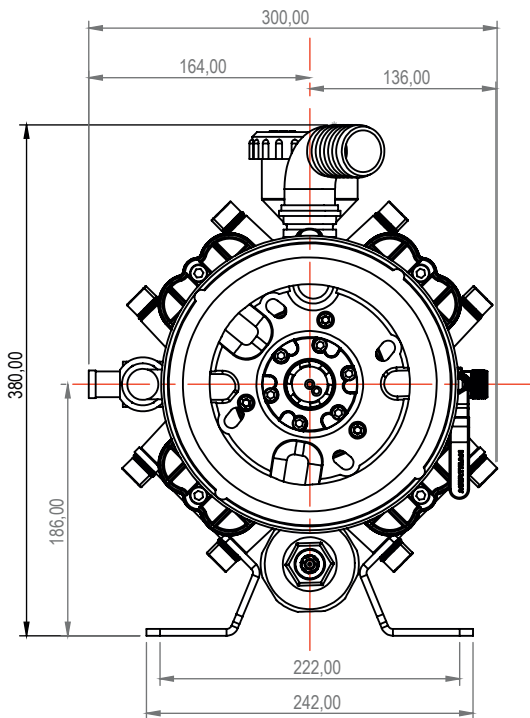
MTS-496 P

No	ÜRÜN KODU / PRODUCT CODE	AÇIKLAMA / DESCRIPTION	ÖLÇÜLER / DIMENSIONS	ADET / QTY
1	MTS-496 P/1	İMBUS CİVATA / SCREW	Ø M6x10	4
2	MTS-496 P/2	PUL / RONDELA	Ø 6 MM	4
3	MTS-496 P/3	ŞAFT MUHAFAZASI / CARDAN PROTECTION		1
4	MTS-496 P/4	İMBUS CİVATA / SCREW	Ø M8x25	6
5	MTS-496 P/5	DEMİR NİPEL / NIPPLE (STAINLESS)	G ¾"	1
6	MTS-496 P/6	ORİNG / O-RING	Ø 145.72x2.62	1
7	MTS-496 P/7	ORİNG / O-RING	Ø 100.00x2.00	1
8	MTS-496 P/8	ORİNG / O-RING	Ø 074.00x2.00	1
9	MTS-496 P/9	KEÇE / SEAL	Ø 35x47x7	1
10	MTS-496 P/10	KELEBEK VANA / BALL VALVE	G ¾" M ¾" F	1
11	MTS-496 P/11	GÖMLEK / PISTON SLEEVE		4
12	MTS-496 P/12	KÖR TAPA / BLANKING TAP		1
13	MTS-496 P/13	BİYEL KOLU / CONNECTIN ROD		4
14	MTS-496 P/14	PISTON / PISTON	Ø 58	4
15	MTS-496 P/15	PERNO / PERNO	Ø 14	4
16	MTS-496 P/16	SEGMAN / PISTON RING	Ø 14	8
17	MTS-496 P/17	SEGMAN / PISTON RING	Ø 58	4
18	MTS-496 P/18	MEMBRAN LASTİĞİ / MEMBRANE RUBBER		4
19	MTS-496 P/19	MEMBRAN PULU / MEMBRANE WASHER		4
20	MTS-496 P/20	ORİNG / O-RING	Ø 021.00x3.00	8
21	MTS-496 P/21	MEMBRAN CİVATASI / MEMBRANE HOLDER SCREW	Ø 12x20	4
22	MTS-496 P/22	MEMBRAN KAPAĞI / MEMBRANE COVER		4
23	MTS-496 P/23	AYAK / PUMP MOUNTING STAND		2
24	MTS-496 P/24	ORİNG / O-RING	Ø 024.99x3.53	8
25	MTS-496 P/25	SİBOP KROMU / VALVE CHROMIUM		8
26	MTS-496 P/26	SİBOP PULU / VALVE WASHER		8
27	MTS-496 P/27	SİBOP YAYI / VALVE SPRING		8
28	MTS-496 P/28	SİBOP KAFESİ / VALVE CAGE		8
29	MTS-496 P/29	ORİNG / O-RING	Ø 033.00x3.00	8
30	MTS-496 P/30	GÖZLÜK / PLUG		4
31	MTS-496 P/31	İMBUS CİVATA / SCREW	Ø M8x30	12
32	MTS-496 P/32	EMNİYET VALFİ / SAFETY VALVE	G ¾"	1
33	MTS-496 P/33	VANA / VALVE	G ¾"	1
34	MTS-496 P/34	MANİFOLD KAPAĞI / MANIFOLD COVER		1
35	MTS-496 P/35	DEMİR NİPEL / NIPPLE (STAINLESS)	G ¾"	1
36	MTS-496 P/36	HAVA TÜPÜ ALT GÖVDE / AIR TUBE INFRA ACCUMULATOR		1
37	MTS-496 P/37	HAVA TÜPÜ İÇ PLASTİK / AIR TUBE INNER PLASTIC		1
38	MTS-496 P/38	HAVA TÜPÜ İÇ LASTİK / AIR TUBE INNER LASTIC		1
39	MTS-496 P/39	HAVA TÜPÜ ÜST GÖVDE / AIR TUBE UPPER ACCUMULATOR		1
40	MTS-496 P/40	FİBERLİ SOMUN / FIBER NUT	Ø 8 MM	8
41	MTS-496 P/41	PUL / RONDELA	Ø 8 MM	8
42	MTS-496 P/42	İMBUS CİVATA / SCREW	Ø M8x45	8
43	MTS-496 P/43	ORİNG / O-RING	Ø 007.59x2.62	1
44	MTS-496 P/44	TÜP SİBOBU / AIR TUBE VALVE		1
45	MTS-496 P/45	TİRTİKLİ PUL / RONDELA	Ø 8 MM	1
46	MTS-496 P/46	DİRSEK (SU GİRİŞİ) / HOSETAIL FOR FLY NUT	Ø 38x40/ 32x37	1
47	MTS-496 P/47	ORİNG / O-RING	Ø 027.00x4.00	1
48	MTS-496 P/48	DİRSEK SOMUNU (SU GİRİŞİ) / LOCK NUT	Ø G1 ½"	1
49	MTS-496 P/49	NİPEL / NIPPLE		1
50	MTS-496 P/50	ORİNG / O-RING	Ø 024.99x3.53	1
51	MTS-496 P/51	YAĞDANLIK KAPAĞI / OILCAN COVER		1
52	MTS-496 P/52	ORİNG / O-RING	Ø 071.44x3.53	1
53	MTS-496 P/53	YAĞDANLIK GÖVDESİ / OILCAN		1
54	MTS-496 P/54	ORİNG / O-RING	Ø 021.00x3.00	1
55	MTS-496 P/55	İMBUS CİVATA / SCREW	Ø M10x70	16
56	MTS-496 P/56	TİRTİKLİ PUL / RONDELA	Ø 10 MM	12
57	MTS-496 P/57	GÖVDE / CRANK CASE		1
58	MTS-496 P/58	YAĞ BOŞALTMA TAPASI / OIL OUTPUT TAP		1
59	MTS-496 P/59	SEGMAN / PISTON RING	Ø 55	1
60	MTS-496 P/60	RULMAN / BEARING	6207	1
61	MTS-496 P/61	BİLEZİK / RING	Ø 5.5x60	2
62	MTS-496 P/62	KRANK / CRANK		1
63	MTS-496 P/63	RULMAN / BEARING	Ø 6011	1
64	MTS-496 P/64	KEÇE / SEAL	Ø 70x90x10	1
65	MTS-496 P/65	SEGMAN / PISTON RING	Ø 90	1
66	MTS-496 P/66	TÜP SİBOP KAPAĞI / AIR TUBE VALVE COVER		1

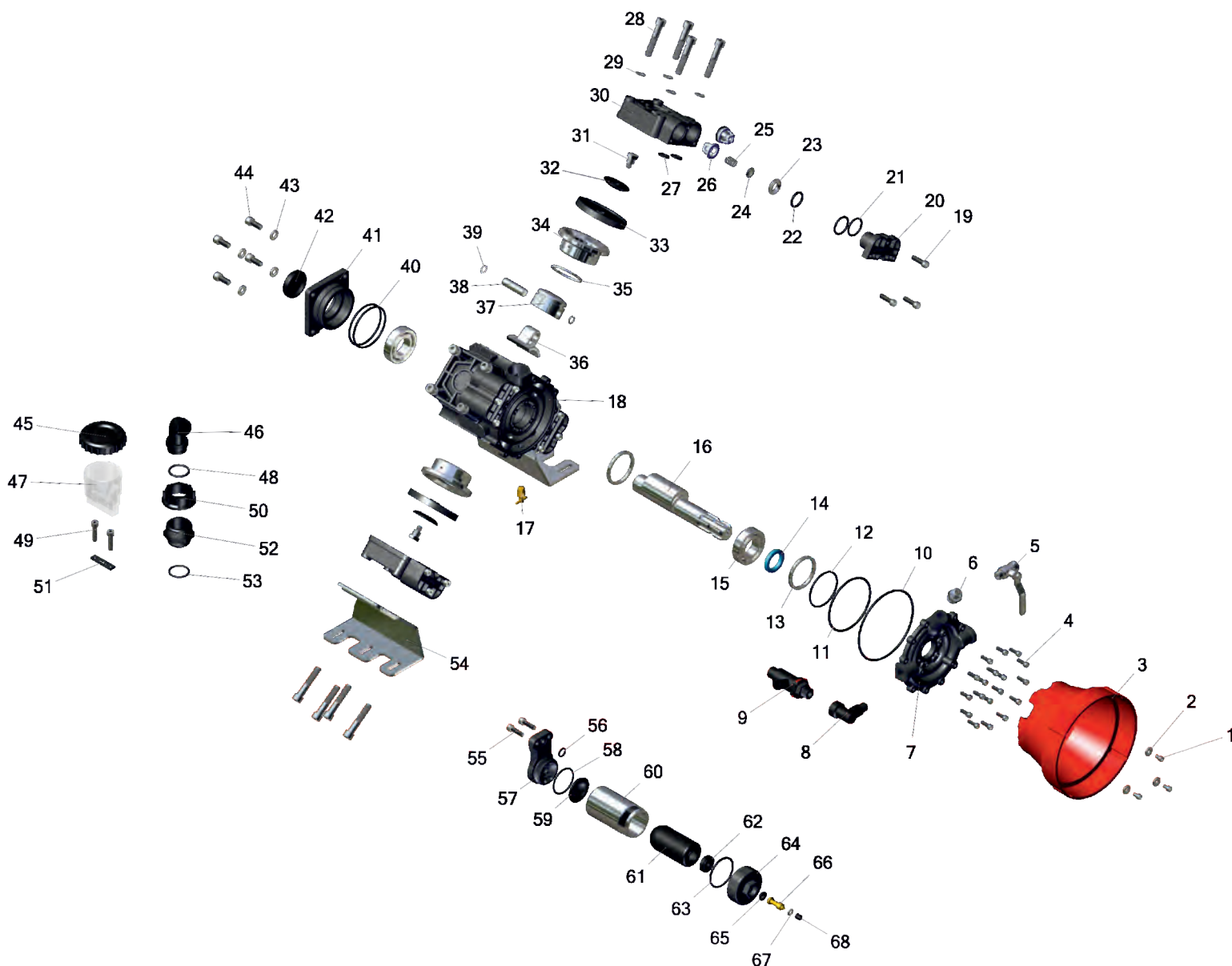
MTS-496 T



KOD/CODE	MTS-496 T
DEBİ (LT./DAK.) FLOW (LT./MIN.)	96
DEVİR (D./DAK.) SPEED (R.P.M)	540
GÜÇ (HP) POWER	13.1
PİSTON PISTON	4
BASINÇ (BAR) PRESSURE	50
YAĞ CİNSİ OIL TYPE	20W50
YAĞ KAPASİTESİ (LT.) OIL CAPACITY	1.25
ÖLÇÜLER (CM.) DIMENSIONS	35x30x38
AĞIRLIK (KG.) WEIGHT	22.1



MTS-496 T



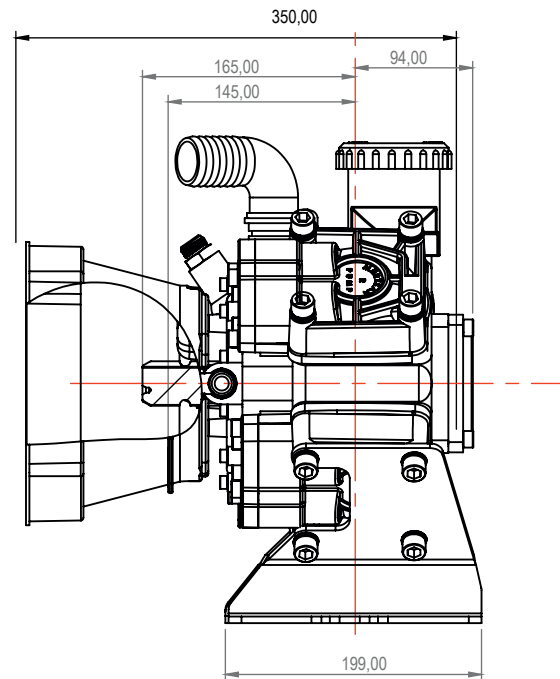
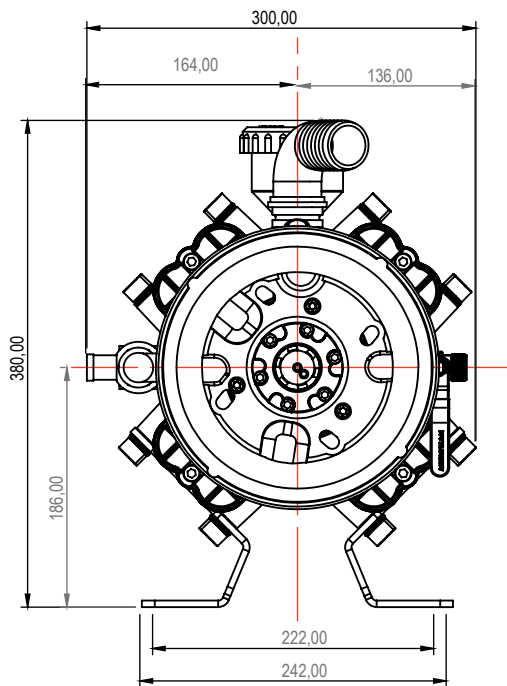
MTS-496 T

No	ÜRÜN KODU / PRODUCT CODE	AÇIKLAMA / DESCRIPTION	ÖLÇÜLER / DIMENSIONS	ADET / QTY
1	MTS-496 T / 1	İMBUS CİVATA- SCREW	Ø M6x10	3
2	MTS-496 T / 2	PUL/ RONDELA	Ø 6MM	3
3	MTS-496 T / 3	ŞAFT MUHAFAZASI/ CARDAN PROTECTION		2
4	MTS-496 T / 4	İMBUS CİVATA / SCREW	Ø M6x20	18
5	MTS-496 T / 5	VANA / VALVE	Ø G½ "	1
6	MTS-496 T / 6	DEMİR NİPEL / NIPPLE (STAINLESS)	Ø G½ "	1
7	MTS-496 T / 7	MANİFOLD KAPAĞI/ MANIFOLD COVER		1
8	MTS-496 T / 8	DİRSEK(SU GİRİŞ) / HOSETAIL FOR FLY NUT	Ø G½ "	1
9	MTS-496 T / 9	EMNİYET VALFİ / SAFETY VALVE	Ø G½ "	1
10	MTS-496 T / 10	ORİNG/ O-RING	Ø 142.47x3.53	1
11	MTS-496 T / 11	ORİNG / O-RING	Ø 108.00x3.00	1
12	MTS-496 T / 12	ORİNG / O-RING	Ø 070.00x3.00	1
13	MTS-496 T / 13	BİLEZİK / RING	Ø 59	2
14	MTS-496 T / 14	KEÇE/ SEAL	Ø 35x55x10	1
15	MTS-496 T / 15	RULMAN / BEARING	Ø 6207	2
16	MTS-496 T / 16	KRANK / CRANK		1
17	MTS-496 T / 17	SARI TAHLİYE MUSLUĞU/ BRASS OUTPUT TAP		1
18	MTS-496 T / 18	GÖVDE / CRANKCASE		1
19	MTS-496 T / 19	İMBUS CİVATA/ SCREW	Ø M8x30	12
20	MTS-496 T / 20	GÖZLÜK / PLUG		4
21	MTS-496 T / 21	ORİNG / O-RING	Ø 033.00x3.00	8
22	MTS-496 T / 22	ORİNG / O-RING	Ø 034.99x3.53	8
23	MTS-496 T / 23	SİBOP KROMU / VALVE CHROMIUM		8
24	MTS-496 T / 24	SİBOP PULU/ VALVE WASHER		8
25	MTS-496 T / 25	SİBOP YAYI/ VALVE SPRING		8
26	MTS-496 T / 26	SİBOP KAFESİ / VALVE CAGE		8
27	MTS-496 T / 27	ORİNG/ O-RING	Ø 017.00x3.00	8
28	MTS-496 T / 28	İMBUS CİVATA/ SCREW	Ø M12x65	16
29	MTS-496 T / 29	PUL/ RONDELA	Ø M12 MM	16
30	MTS-496 T / 30	MEMBRAN KAPAĞI/ MEMBRANE COVER		4
31	MTS-496 T / 31	MEMBRAN CİVATASI / PISTON HOLDER SCREW	Ø M8x19.5	4
32	MTS-496 T / 32	MEMBRAN PULU/ MEMBRANE WASHER		4
33	MTS-496 T / 33	MEMBRAN LASTİĞİ/ MEMBRANE RUBBER		4
34	MTS-496 T / 34	GÖMLEK / PISTON SLEEVE		4
35	MTS-496 T / 35	SEGMAN / PISTON RING	Ø 63	4
36	MTS-496 T / 36	BİYEL KOLU / CONNECTIN ROD		4
37	MTS-496 T / 37	PİSTON / PISTON	Ø 63	4
38	MTS-496 T / 38	PERNO / PERNO	Ø 15	4
39	MTS-496 T / 39	SEGMAN/ PISTON RING	Ø 15	8
40	MTS-496 T / 40	ORİNG / O-RING	Ø 070.00x3.00	2
41	MTS-496 T / 41	FLANŞ (KARE KAPAK) / MANFOLD COVER (BACK SIDE)		1
42	MTS-496 T / 42	TAPA / TAP	Ø 55x10	1
43	MTS-496 T / 43	PUL/ RONDELA	Ø M10	4
44	MTS-496 T / 44	İMBUS CİVATA/ SCREW	Ø M10x25	4
45	MTS-496 T / 45	YAĞDANLIK KAPAĞI/ OILCAN COVER		1
46	MTS-496 T / 46	DİRSEK / HOSETAIL FOR FLY NUT	Ø 32x37	1
47	MTS-496 T / 47	YAĞDANLIK GÖVDESİ / OILCAN		1
48	MTS-496 T / 48	ORİNG / O-RING	Ø 027.00x4.00	1
49	MTS-496 T / 49	İMBUS CİVATA / SCREW	Ø M8x35	2
50	MTS-496 T / 50	SOMUN / LOCK NUT	Ø G ½ "	1
51	MTS-496 T / 51	ORİNG/ O-RING	Ø 35x2.5 "	1
52	MTS-496 T / 52	NİPEL / NIPPLE		1
53	MTS-496 T / 53	ORİNG / O-RING	Ø 033.00x3.00	1
54	MTS-496 T / 54	AYAK/ PUMP MOUNTING STAND		2
55	MTS-496 T / 55	İMBUS CİVATA / SCREW	Ø M8x25	2
56	MTS-496 T / 56	ORİNG / O-RING	Ø 021.00x3.00	1
57	MTS-496 T / 57	TÜP L KAPAK / AIR TUBE L COVER		1
58	MTS-496 T / 58	ORİNG / O-RING	Ø 050.47x2.62	1
59	MTS-496 T / 59	TÜP PLASTİĞİ / AIR TUBE PLASTIC		1
60	MTS-496 T / 60	TÜPÜ BORUSU / AIR TUBE PIPE		1
61	MTS-496 T / 61	TÜPÜ LASTİĞİ (UZUN) / AIR TUBE LASTIC (LONG)		1
62	MTS-496 T / 62	TÜPÜ BAĞLANTI PULU) / AIR TUBE CONNECTION WASHER		1
63	MTS-496 T / 63	ORİNG / O-RING	Ø 057.00x3.00	1
64	MTS-496 T / 64	TÜP ÜST SOMUN / AIR TUBE VALVE NUT		1
65	MTS-496 T / 65	TÜP CONTASI / AIR TUBE WASHER		1
66	MTS-496 T / 66	TÜP SİBOBU / AIR TUBE VALVE		1
67	MTS-496 T / 67	ORİNG/ O-RING	Ø 007.59x2.62	1
68	MTS-496 T / 68	TÜP SİBOP KAPAĞI / AIR TUBE VALVE COVER		1

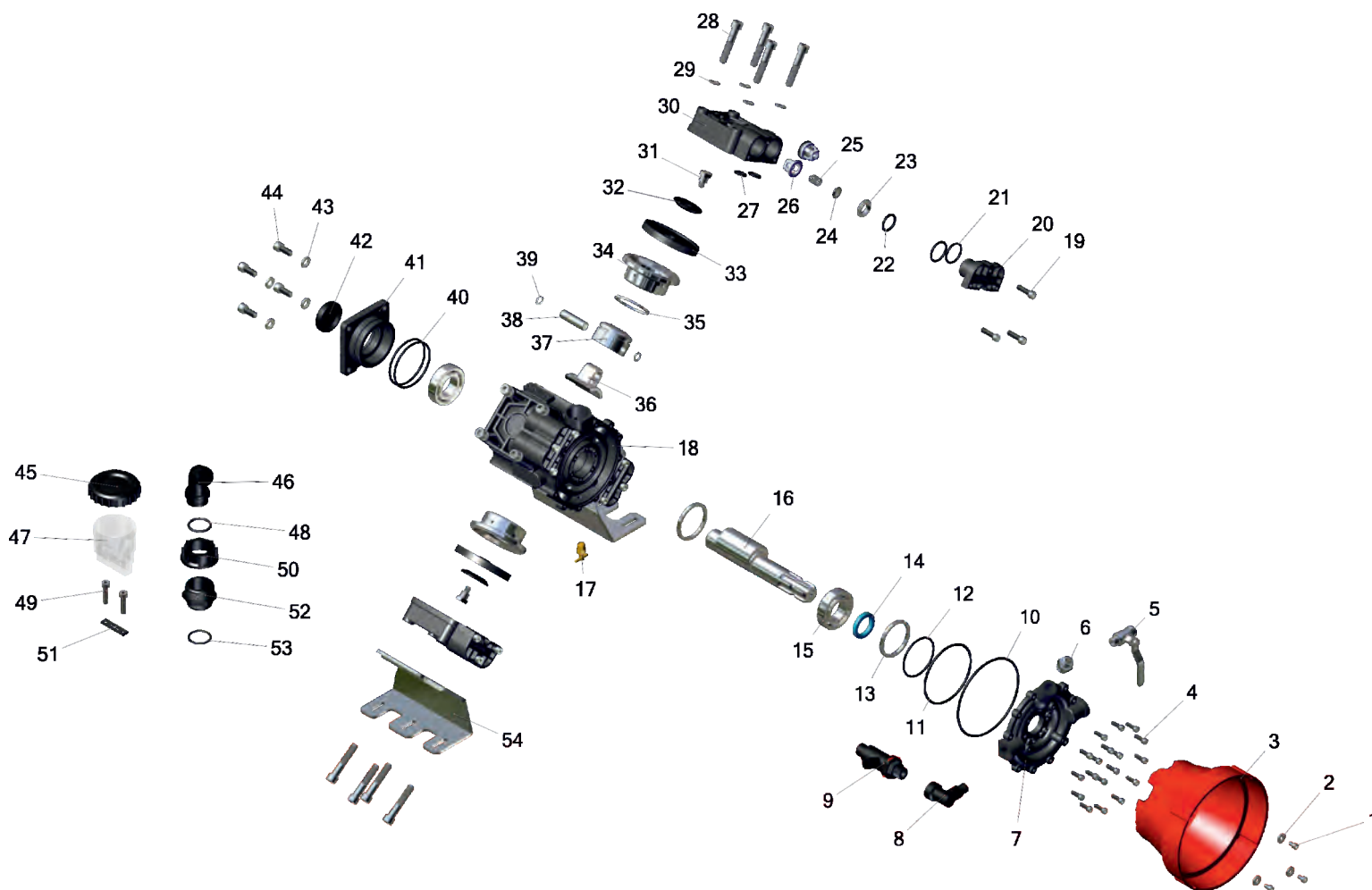
MTS-496 A



KOD/CODE	MTS-496 A
DEBİ (LT./DAK.) FLOW (LT./MIN.)	96
DEVİR (D./DAK.) SPEED (R.P.M)	540
GÜÇ (HP) POWER	13.1
PİSTON PISTON	4
BASINÇ (BAR) PRESSURE	50
YAĞ CİNSİ OIL TYPE	20W50
YAĞ KAPASİTESİ (LT.) OIL CAPACITY	1.25
ÖLÇÜLER (CM.) DIMENSIONS	35x30x38
AĞIRLIK (KG.) WEIGHT	20.8



MTS-496 A



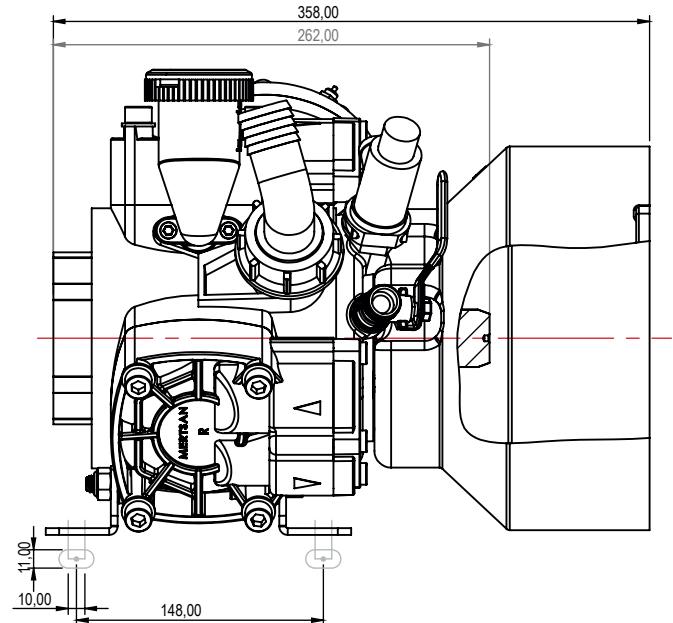
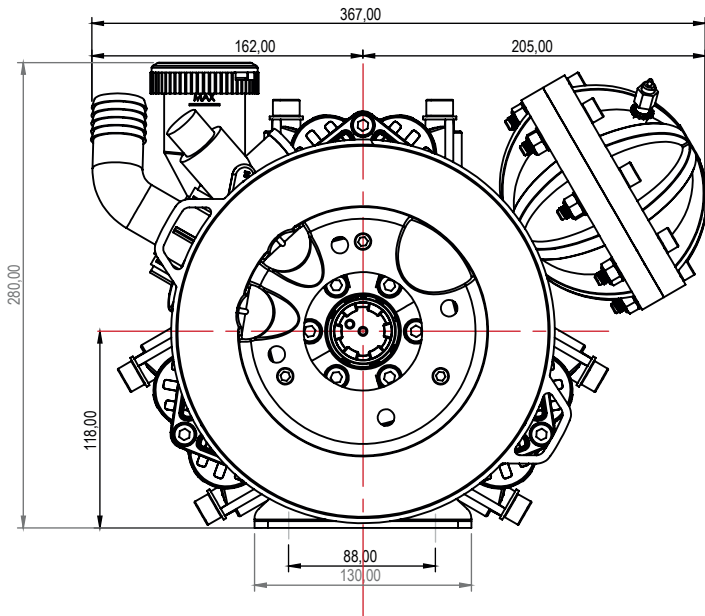
MTS-496 A

No	ÜRÜN KODU / PRODUCT CODE	AÇIKLAMA / DESCRIPTION	ÖLÇÜLER / DIMENSIONS	ADET / QTY
1	MTS-496 A / 1	İMBUS CİVATA- SCREW	Ø M6x10	3
2	MTS-496 A / 2	PUL/ RONDELA	Ø 6MM	3
3	MTS-496 A / 3	ŞAFT MUHAFAZASI/ CARDAN PROTECTION		2
4	MTS-496 A / 4	İMBUS CİVATA / SCREW	Ø M6x20	18
5	MTS-496 A / 5	VANA / VALVE	Ø G½ "	1
6	MTS-496 A / 6	DEMİR NİPEL / NIPPLE (STAINLESS)	Ø G½ "	1
7	MTS-496 A / 7	MANİFOLD KAPAĞI/ MANIFOLD COVER		1
8	MTS-496 A / 8	DİRSEK(SU GİRİŞ) / HOSETAIL FOR FLY NUT	Ø G½ "	1
9	MTS-496 A / 9	EMNİYET VALFİ / SAFETY VALVE	Ø G½ "	1
10	MTS-496 A / 10	ORİNG / O-RING	Ø 142.47x3.53	1
11	MTS-496 A / 11	ORİNG / O-RING	Ø 108.00x3.00	1
12	MTS-496 A / 12	ORİNG / O-RING	Ø 070.00x3.00	1
13	MTS-496 A / 13	BİLEZİK / RING	Ø 59	2
14	MTS-496 A / 14	KEÇE/ SEAL	Ø 35x55x10	1
15	MTS-496 A / 15	RULMAN / BEARING	Ø 6207	2
16	MTS-496 A / 16	KRANK / CRANK		1
17	MTS-496 A / 17	SARI TAHLİYE MUSLUĞU/ BRASS OUTPUT TAP		1
18	MTS-496 A / 18	GÖVDE / CRANKCASE		1
19	MTS-496 A / 19	İMBUS CİVATA/ SCREW	Ø M8x30	12
20	MTS-496 A / 20	GÖZLÜK / PLUG		4
21	MTS-496 A / 21	ORİNG / O-RING	Ø 033.00x3.00	8
22	MTS-496 A / 22	ORİNG / O-RING	Ø 034.99x3.53	8
23	MTS-496 A / 23	SİBOP KROMU / VALVE CHROMIUM		8
24	MTS-496 A / 24	SİBOP PULU/ VALVE WASHER		8
25	MTS-496 A / 25	SİBOP YAYI/ VALVE SPRING		8
26	MTS-496 A / 26	SİBOP KAFESİ / VALVE CAGE		8
27	MTS-496 A / 27	ORİNG / O-RING	Ø 017.00x3.00	8
28	MTS-496 A / 28	İMBUS CİVATA/ SCREW	Ø M12x65	16
29	MTS-496 A / 29	PUL/ RONDELA	Ø M12 MM	16
30	MTS-496 A / 30	MEMBRAN KAPAĞI/ MEMBRANE COVER		4
31	MTS-496 A / 31	MEMBRAN CİVATASI / PISTON HOLDER SCREW	Ø M8x19.5	4
32	MTS-496 A / 32	MEMBRAN PULU/ MEMBRANE WASHER		4
33	MTS-496 A / 33	MEMBRAN LASTİĞİ/ MEMBRANE RUBBER		4
34	MTS-496 A / 34	GÖMLEK / PISTON SLEEVE		4
35	MTS-496 A / 35	SEGMAN / PISTON RING	Ø 63	4
36	MTS-496 A / 36	BİYEL KOLU / CONNECTIN ROD		4
37	MTS-496 A / 37	PİSTON / PISTON	Ø 63	4
38	MTS-496 A / 38	PERNO / PERNO	Ø 15	4
39	MTS-496 A / 39	SEGMAN/ PISTON RING	Ø 15	8
40	MTS-496 A / 40	ORİNG / O-RING	Ø 070.00x3.00	2
41	MTS-496 A / 41	FLANŞ (KARE KAPAK) / MANFOLD COVER (BACK SIDE)		1
42	MTS-496 A / 42	TAPA / TAP	Ø 55x10	1
43	MTS-496 A / 43	PUL/ RONDELA	Ø M10	4
44	MTS-496 A / 44	İMBUS CİVATA/ SCREW	Ø M10x25	4
45	MTS-496 A / 45	YAĞDANLIK KAPAĞI/ OILCAN COVER		1
46	MTS-496 A / 46	DİRSEK / HOSETAIL FOR FLY NUT	Ø 32x37	1
47	MTS-496 A / 47	YAĞDANLIK GÖVDESİ / OILCAN		1
48	MTS-496 A / 48	ORİNG / O-RING	Ø 027.00x4.00	1
49	MTS-496 A / 49	İMBUS CİVATA / SCREW	Ø M8x35	2
50	MTS-496 A / 50	SOMUN / LOCK NUT	Ø G ½ "	1
51	MTS-496 A / 51	ORİNG / O-RING	Ø 35x2.5 "	1
52	MTS-496 A / 52	NİPEL / NIPPLE		1
53	MTS-496 A / 53	ORİNG / O-RING	Ø 033.00x3.00	1
54	MTS-496 A / 54	AYAK/ PUMP MOUNTING STAND		2

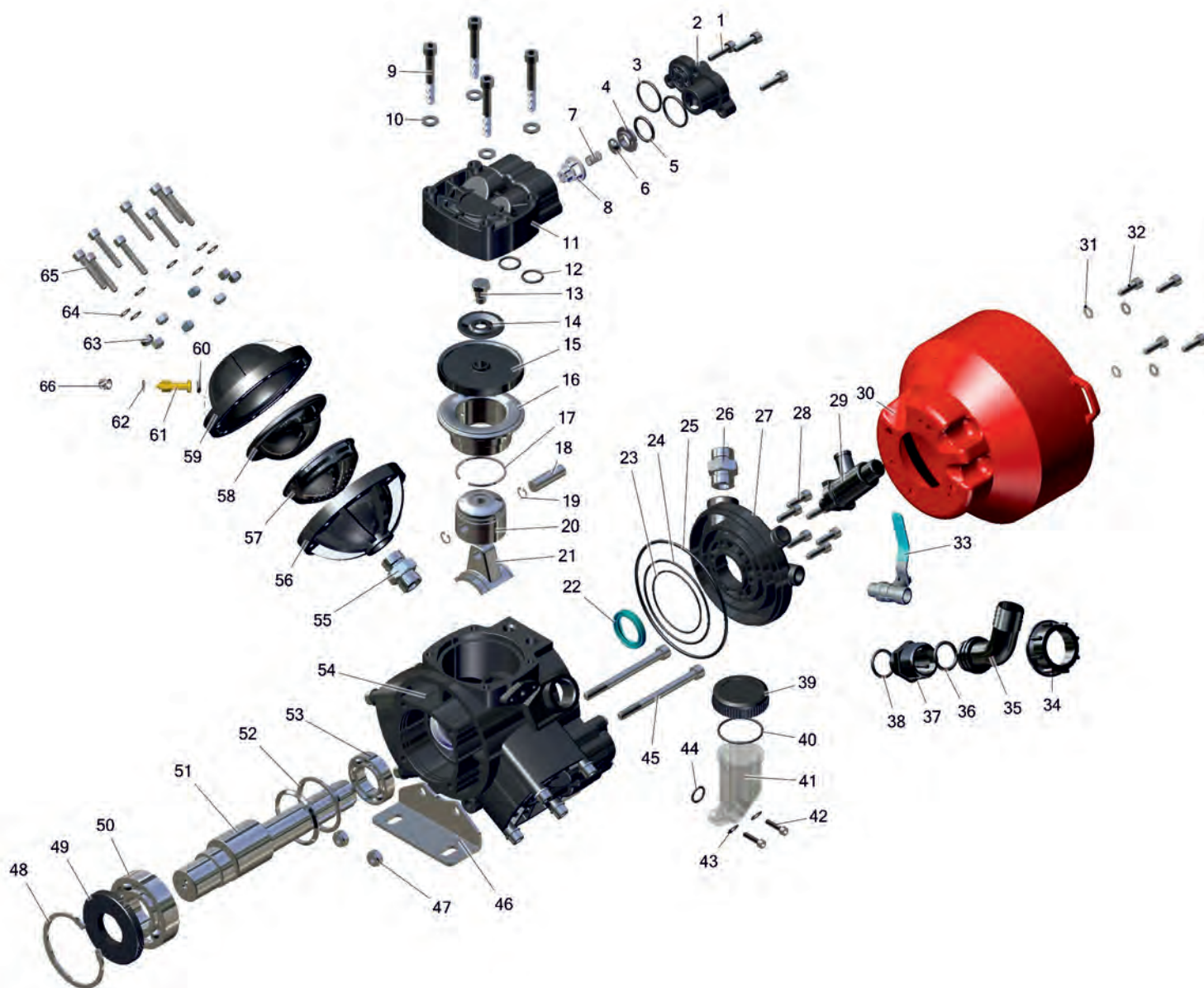
MTS-371 S



KOD/CODE	MTS-371 S
DEBİ (LT./DAK.) FLOW (LT./MIN.)	71
DEVİR (D./DAK.) SPEED (R.P.M)	540
GÜÇ (HP) POWER	9.1
PİSTON PISTON	3
BASINÇ (BAR) PRESSURE	45
YAĞ CİNSİ OIL TYPE	20W50
YAĞ KAPASİTESİ (LT.) OIL CAPACITY	1.0
ÖLÇÜLER (CM.) DIMENSIONS	36x37x28
AĞIRLIK (KG.) WEIGHT	18.5



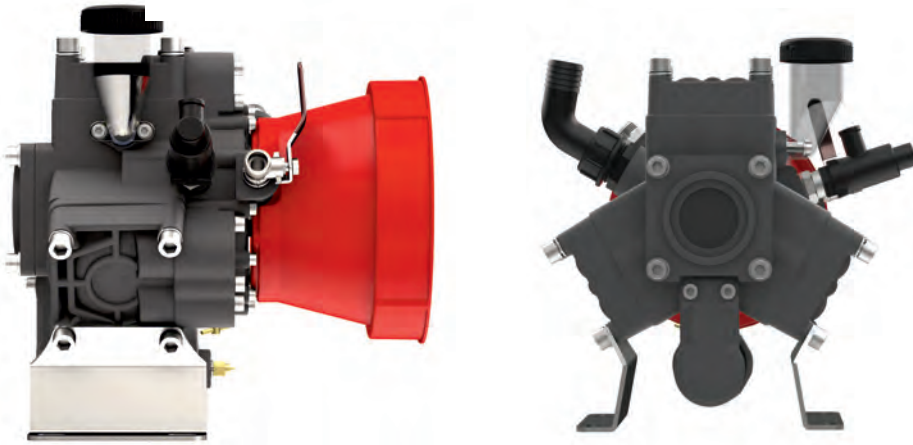
MTS-371 S



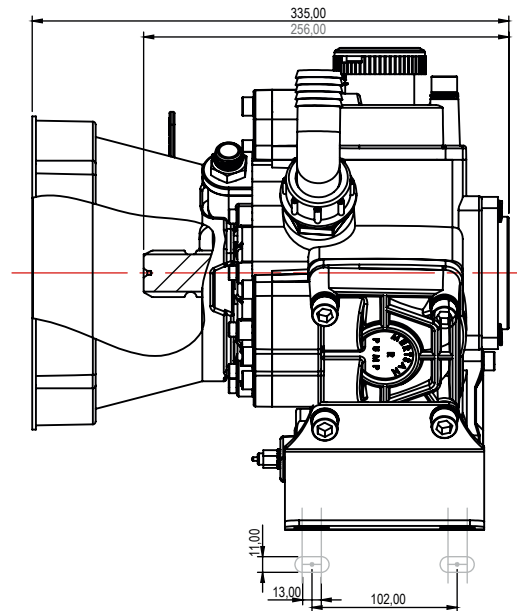
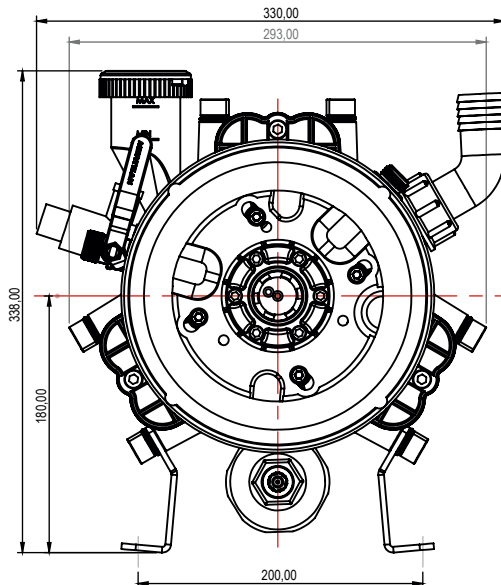
MTS-371 S

№	ÜRÜN KODU / PRODUCT CODE	AÇIKLAMA / DESCRIPTION	ÖLÇÜLER / DIMENSIONS	ADET / QTY
1	MTS-371 S/1	İMBUS CİVATA / SCREW	Ø M8x30	9
2	MTS-371 S/2	GÖZLÜK / PLUG		3
3	MTS-371 S/3	ORİNG / O-RING	Ø 33x3	6
4	MTS-371 S/4	SİBOP KROMU / VALVE CHROMIUM		6
5	MTS-371 S/5	ORİNG / O-RING	Ø 24.99x3.53	6
6	MTS-371 S/6	SİBOP PULU / VALVE WASHER		6
7	MTS-371 S/7	SİBOP YAYI / VALVE SPRING		6
8	MTS-371 S/8	SİBOP KAFESİ / VALVE CAGE		6
9	MTS-371 S/9	İMBUS CİVATA / SCREW	Ø M10x70	12
10	MTS-371 S/10	PUL / RONDELA	Ø 10 MM	12
11	MTS-371 S/11	MEMBRAN KAPAĞI / MEMBRANE COVER		3
12	MTS-371 S/12	ORİNG / O-RING	Ø 21x3	6
13	MTS-371 S/13	MEMBRAN CİVATASI / PISTON HOLDER SCREW	Ø 12x20	3
14	MTS-371 S/14	MEMBRAN PULU / MEMBRANE WASHER		3
15	MTS-371 S/15	MEMBRAN LASTİĞİ / MEMBRANE RUBBER		3
16	MTS-371 S/16	GÖMLEK / PISTON SLEEVE		3
17	MTS-371 S/17	SEGMAN / PISTON RING	Ø 58	3
18	MTS-371 S/18	PERNO / PERNO	Ø 14	3
19	MTS-371 S/19	SEGMAN / PISTON RING	Ø 14	6
20	MTS-371 S/20	PİSTON / PISTON	Ø 58	3
21	MTS-371 S/21	BİYEL KOLU / CONNECTION ROD		3
22	MTS-371 S/22	KEÇE / SEAL	Ø 35x47x7	1
23	MTS-371 S/23	ORİNG / O-RING	Ø 74x2	1
24	MTS-371 S/24	ORİNG / O-RING	Ø 100x2	1
25	MTS-371 S/25	ORİNG / O-RING	Ø 145.72x2.62	1
26	MTS-371 S/26	NİPEL / NIPPLE	G ¾"	1
27	MTS-371 S/27	MANİFOLD KAPAĞI / MANIFOLD COVER		1
28	MTS-371 S/28	İMBUS CİVATA / SCREW	Ø M8x25	6
29	MTS-371 S/29	EMNİYET VALFİ / SAFETY VALVE	G ¾"	1
30	MTS-371 S/30	ŞAFT MUHAFAZASI / CARDAN PROTECTION		1
31	MTS-371 S/31	PUL / RONDELA	Ø 6 MM	4
32	MTS-371 S/32	İMBUS CİVATA / SCREW	Ø M6x16	4
33	MTS-371 S/33	VANA / VALVE	G ¾"	1
34	MTS-371 S/34	DİRSEK (SU GİRİŞİ) / HOSETAIL FOR FLY NUT	Ø 32x32	1
35	MTS-371 S/35	DİRSEK SOMUNU (SU GİRİŞİ) / LOCK NUT		1
36	MTS-371 S/36	ORİNG / O-RING	Ø 27x4.0	1
37	MTS-371 S/37	NİPEL / NIPPLE		1
38	MTS-371 S/38	ORİNG / O-RING	Ø 24.99x3.53	1
39	MTS-371 S/39	YAĞDANLIK KAPAĞI / OILCAN COVER		1
40	MTS-371 S/40	ORİNG / O-RING	Ø 42.52x2.62	1
41	MTS-371 S/41	YAĞDANLIK GÖVDESİ / OILCAN		1
42	MTS-371 S/42	İMBUS CİVATA / SCREW	Ø M6x25	2
43	MTS-371 S/43	PUL / RONDELA	Ø 6 MM	2
44	MTS-371 S/44	ORİNG / O-RING	Ø 16x2.5	1
45	MTS-371 S/45	İMBUS CİVATA / SCREW	Ø M10x120	2
46	MTS-371 S/46	AYAK / PUMP MOUNTING STAND		2
47	MTS-371 S/47	SOMUN / LOCK NUT	Ø 10	2
48	MTS-371 S/48	SEGMAN / PISTON RING	Ø 90	1
49	MTS-371 S/49	KEÇE / SEAL	Ø 90x40x10	1
50	MTS-371 S/50	RULMAN / BEARING	6308	1
51	MTS-371 S/51	/ CRANK		1
52	MTS-371 S/52	BİLEZİK / RING	Ø 5.5x60	2
53	MTS-371 S/53	RULMAN / BEARING	6007	1
54	MTS-371 S/54	GÖVDE / CRANKCASE		1
55	MTS-371 S/55	REKOR / NIPPLE	G ¾"	1
56	MTS-371 S/56	HAVA TÜPÜ ALT KAPAK / AIR TUBE INFRA ACCUMULATOR		1
57	MTS-371 S/57	HAVA TÜPÜ İÇ PLASTİK / AIR TUBE INNER LASTIC		1
58	MTS-371 S/58	HAVA TÜPÜ İÇ LASTİK / AIR TUBE INNER LASTIC		1
59	MTS-371 S/59	HAVA TÜPÜ ÜST KAPAK / AIR TUBE UPPER ACCUMULATOR		1
60	MTS-371 S/60	ORİNG / O-RING	Ø 7.59x2.5	1
61	MTS-371 S/61	TÜP SİBOPU / AIR TUBE VALVE		1
62	MTS-371 S/62	TİRTİKLİ PUL / RONDELA	Ø 8	1
63	MTS-371 S/63	FİBERLİ SOMUN / FIBER NUT	Ø 8	8
64	MTS-371 S/64	PUL / RONDELA	Ø 8	8
65	MTS-371 S/65	İMBUS CİVATA / SCREW	Ø M8x45	8
66	MTS-371 S/66	TÜP SİBOP KAPAĞI / AIR TUBE VALVE COVER		1

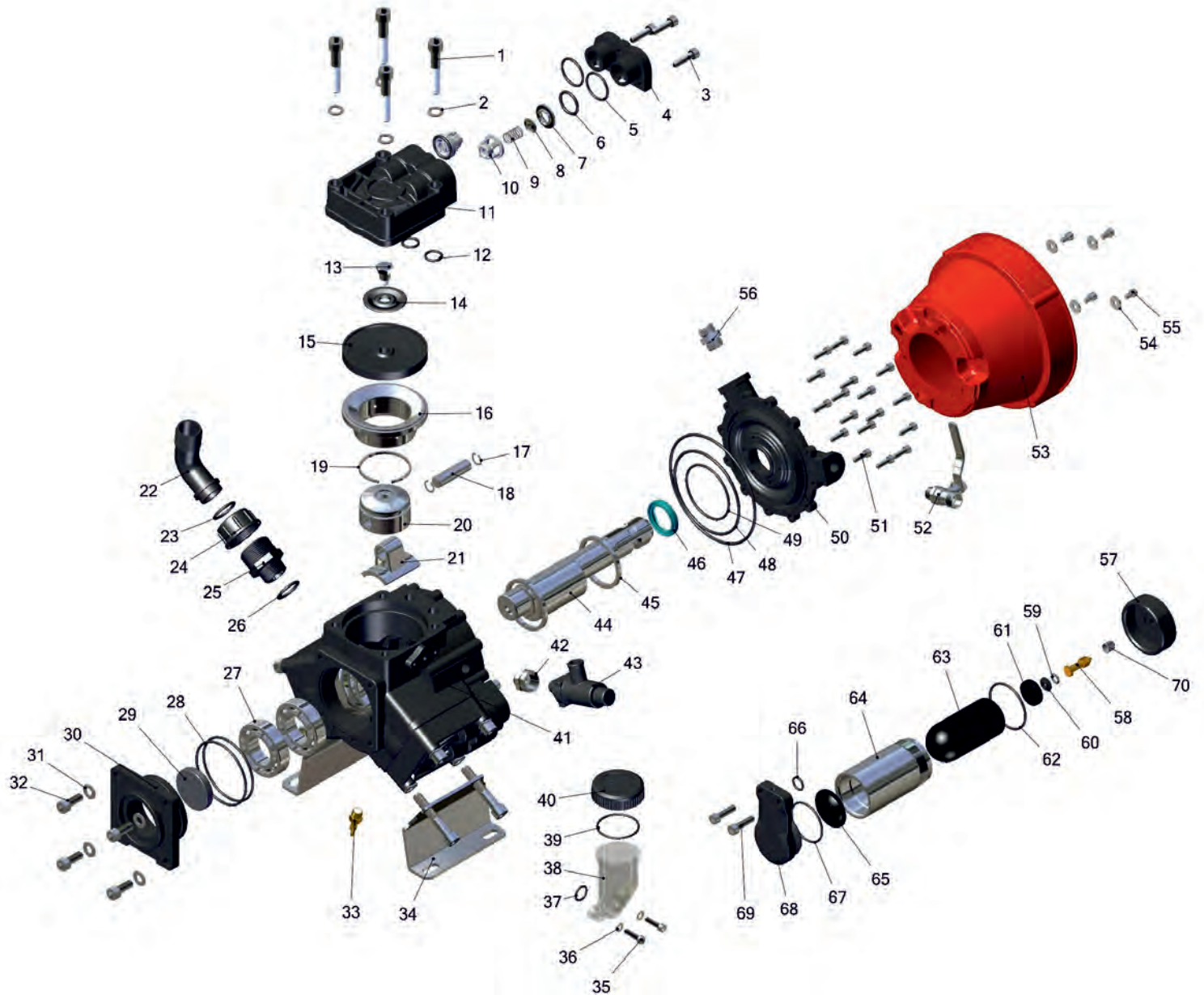
MTS-371 T



KOD/CODE	MTS-371 T
DEBİ (LT./DAK.) FLOW (LT./MIN.)	71
DEVİR (D./DAK.) SPEED (R.P.M)	540
GÜÇ (HP) POWER	7.3
PİSTON PISTON	3
BASINÇ (BAR) PRESSURE	45
YAĞ CİNSİ OIL TYPE	20W50
YAĞ KAPASİTESİ (LT.) OIL CAPACITY	1.0
ÖLÇÜLER (CM.) DIMENSIONS	34x33x34
AĞIRLIK (KG.) WEIGHT	18.45



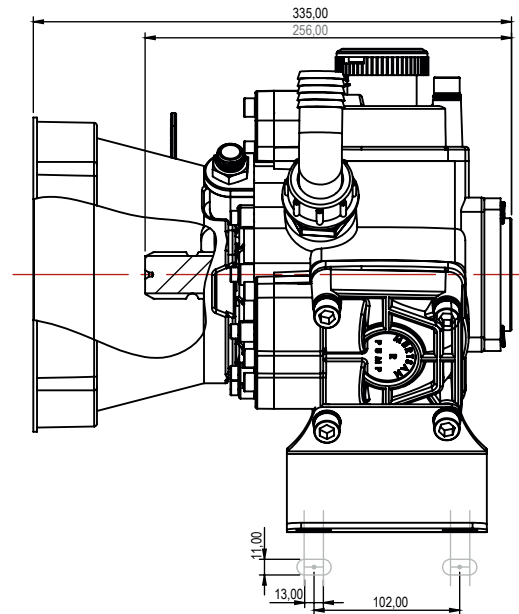
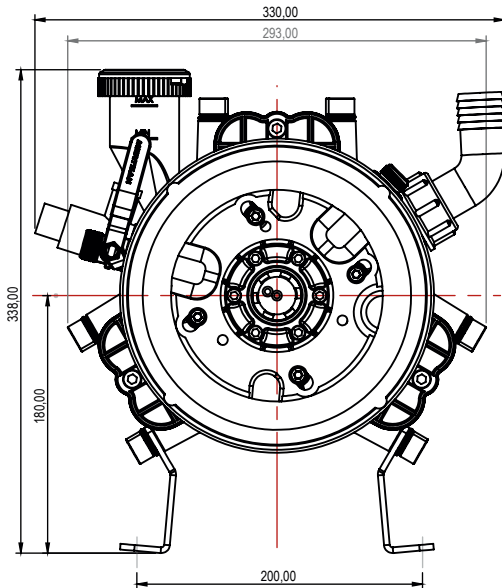
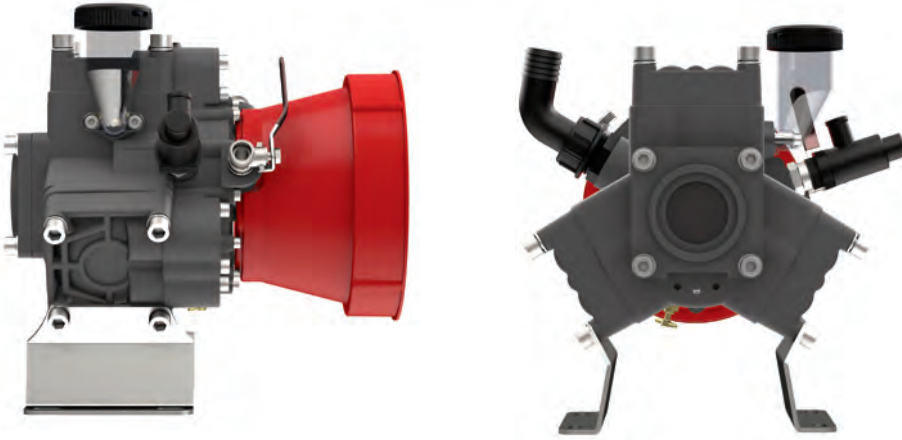
MTS-371 T



MTS-371 T

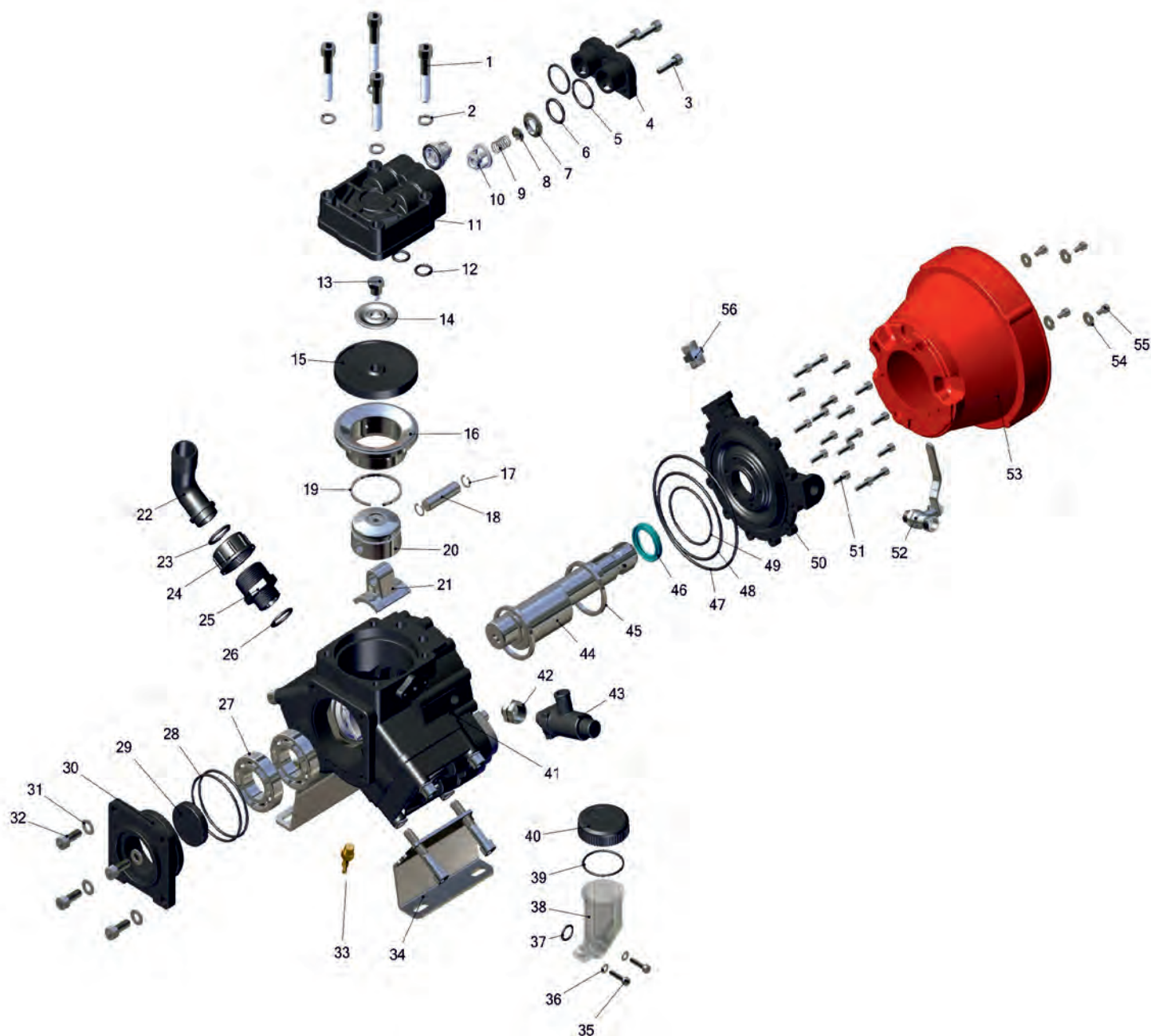
No	ÜRÜN KODU / PRODUCTS CODE	AÇIKLAMA / DESCRIPTION	ÖLÇÜLER / DIMENSIONS	ADET / QTY
1	MTS-371 T/1	İMBUS CİVATA / SCREW	Ø M12x65	12
2	MTS-371 T/2	PUL / RONDELA	Ø 12 MM	8
3	MTS-371 T/3	İMBUS CİVATA / SCREW	Ø M8x30	9
4	MTS-371 T/4	GÖZLÜK / PLUG		3
5	MTS-371 T/5	ORİNG / O-RING	Ø 33x3	6
6	MTS-371 T/6	ORİNG / O-RING	Ø 24.99x3.53	6
7	MTS-371 T/7	SİBOP KROMU / VALVE CHROMIUM		6
8	MTS-371 T/8	SİBOP PULU / VALVE WASHER		6
9	MTS-371 T/9	SİBOP YAYI / VALVE SPRING		6
10	MTS-371 T/10	SİBOP KAFESİ / VALVE CAGE		6
11	MTS-371 T/11	MEMBRAN KAPAĞI / MEMBRANE COVER		3
12	MTS-371 T/12	ORİNG / O-RING	Ø 17x3	6
13	MTS-371 T/13	MEMBRAN CİVATASI / PISTON HOLDER SCREW	Ø 10x20	3
14	MTS-371 T/14	MEMBRAN PULU / MEMBRANE WASHER		3
15	MTS-371 T/15	MEMBRAN LASTİĞİ / MEMBRANE RUBBER		3
16	MTS-371 T/16	GÖMLEK / PISTON SLEEVE		3
17	MTS-371 T/17	SEGMAN / PISTON RING	Ø 15	6
18	MTS-371 T/18	PERNO / PERNO	Ø 15	3
19	MTS-371 T/19	SEGMAN / PISTON RING	Ø 63	3
20	MTS-371 T/20	PISTON / PISTON	Ø 63	3
21	MTS-371 T/21	BİYEL KOLU / CONNECTION ROD		3
22	MTS-371 T/22	DİRSEK / HOSETAIL FOR FLY NUT	Ø 32x32	1
23	MTS-371 T/23	ORİNG / O-RING	Ø 24.99x3.53	1
24	MTS-371 T/24	SOMUN / LOCK NUT	G1 ¼ "	1
25	MTS-371 T/25	NİPEL / NIPPLE		1
26	MTS-371 T/26	ORİNG / O-RING	Ø 24.99x3.53	1
27	MTS-371 T/27	RULMAN / BEARING	6207	2
28	MTS-371 T/28	ORİNG / O-RING	Ø 70x3	2
29	MTS-371 T/29	KEÇE / SEAL	Ø 55x10	1
30	MTS-371 T/30	FLANŞ(KARE KAPAK) / MANIFOLD COVER (BACK SIDE)		1
31	MTS-371 T/31	PUL / RONDELA	Ø 8 MM	4
32	MTS-371 T/32	İMBUS CİVATA / SCREW	Ø M8x25	4
33	MTS-371 T/33	SARI TAHLİYE MUSLUĞU / (BRASS) OUTLET TAP		1
34	MTS-371 T/34	AYAK / PUMP MOUTING STAND		2
35	MTS-371 T/35	İMBUS CİVATA / SCREW	Ø M6x25	2
36	MTS-371 T/36	PUL / RONDELA	Ø 6 MM	2
37	MTS-371 T/37	ORİNG / O-RING	Ø 16x2.5	1
38	MTS-371 T/38	YAĞDANLIK GÖVDESİ / OILCAN		1
39	MTS-371 T/39	ORİNG / O-RING	Ø 42.52x2.62	1
40	MTS-371 T/40	YAĞDANLIK KAPAĞI / OILCAN COVER		1
41	MTS-371 T/41	GÖVDE / CRANKCASE		1
42	MTS-371 T/42	REKOR / NIPPLE	G ½" ¾"	1
43	MTS-371 T/43	EMNİYET VALFİ / SAFETY VALVE	G ½"	1
44	MTS-371 T/44	KRANK / CRANK		1
45	MTS-371 T/45	BİLEZİK / RING	Ø 5.5x59	2
46	MTS-371 T/46	KEÇE / SEAL	Ø 35x47x7	1
47	MTS-371 T/47	ORİNG / O-RING	Ø 142.47x3.53	1
48	MTS-371 T/48	ORİNG / O-RING	Ø 108x3	1
49	MTS-371 T/49	ORİNG / O-RING	Ø 70x3	1
50	MTS-371 T/50	MANİFOLD KAPAĞI ÖN / MANIFOLD COVER (FRONT SIDE)		1
51	MTS-371 T/51	İMBUS CİVATA / SCREW	Ø M6x20	18
52	MTS-371 T/52	VANA / VALVE	G ½"	1
53	MTS-371 T/53	ŞAFT MUHAFAZASI / CARDAN PROTECTION		1
54	MTS-371 T/54	PUL / RONDELA	Ø 6 MM	4
55	MTS-371 T/55	İMBUS CİVATA / SCREW	Ø M6x10	4
56	MTS-371 T/56	DEMİR NİPEL / NIPPLE (STAINLESS)	G ½"	1
57	MTS-371 T/57	TÜP ÜST SOMUN / AIR TUBE VALVE NUT		1
58	MTS-371 T/58	TÜP SİBOBU / AIR TUBE VALVE		1
59	MTS-371 T/59	ORİNG / O-RING	Ø 7x2.5	1
60	MTS-371 T/60	HAVA TÜP CONTASI / AIR TUBE WASHER		1
61	MTS-371 T/61	TÜP BAĞLANTI PULU / AIR TUBE CONNECTION WASHER		1
62	MTS-371 T/62	ORİNG / O-RING	Ø 57x3	1
63	MTS-371 T/63	TÜP LASTİĞİ (UZUN) / AIR TUBE LASTIC (LONG)		1
64	MTS-371 T/64	TÜP BORUSU / AIR TUBE PIPE		1
65	MTS-371 T/65	HAVA TÜPÜ PLASTİK / AIR TUBE PLASTIC		1
66	MTS-371 T/66	ORİNG / O-RING	Ø 21x3	1
67	MTS-371 T/67	ORİNG / O-RING	Ø 50.47x2.62	1
68	MTS-371 T/68	TÜP L KAPAK / AIR TUBE L COVER		1
69	MTS-371 T/69	İMBUS CİVATA / SCREW	Ø M8x30	2
70	MTS-371 T/70	TÜP SİBOP KAPAĞI / AIR TUBE VALVE COVER		1

MTS-371 A



KOD/CODE	MTS-371 A
DEBİ (LT./DAK.) FLOW (LT./MIN.)	71
DEVİR (D./DAK.) SPEED (R.P.M)	540
GÜÇ (HP) POWER	7.3
PİSTON PISTON	3
BASINÇ (BAR) PRESSURE	45
YAĞ CİNSİ OIL TYPE	20W50
YAĞ KAPASİTESİ (LT.) OIL CAPACITY	1.0
ÖLÇÜLER (CM.) DIMENSIONS	34x33x34
AĞIRLIK (KG.) WEIGHT	17.15

MTS-371 A



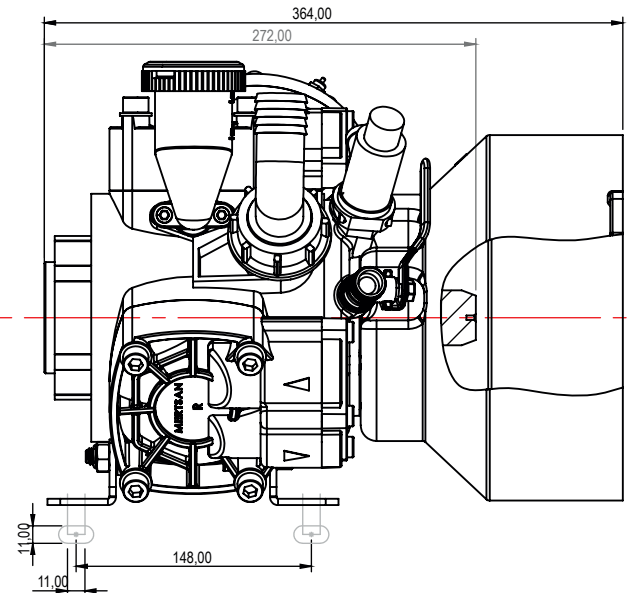
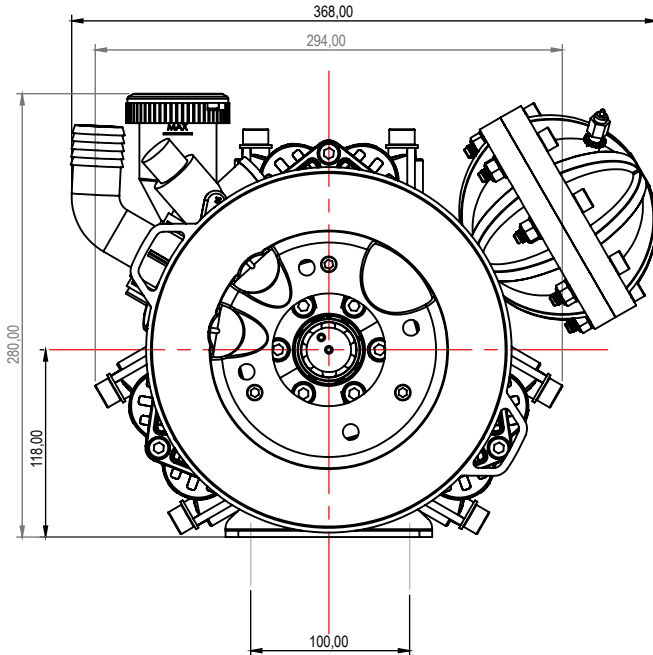
MTS-371 A

№	ÜRÜN KODU / PRODUCTS CODE	AÇIKLAMA / DESCRIPTION	ÖLÇÜLER / DIMENSIONS	ADET / QTY
1	MTS-371 A/1	İMBUS CİVATA / SCREW	Ø M12x65	12
2	MTS-371 A/2	PUL / RONDELA	Ø 12 MM	8
3	MTS-371 A/3	İMBUS CİVATA / SCREW	Ø M8x30	9
4	MTS-371 A/4	GÖZLÜK / PLUG		3
5	MTS-371 A/5	ORİNG / O-RING	Ø 033.00x3.00	6
6	MTS-371 A/6	ORİNG / O-RING	Ø 24.99x3.53	6
7	MTS-371 A/7	SİBOP KROMU / VALVE CHROMIUM		6
8	MTS-371 A/8	SİBOP PULU / VALVE WASHER		6
9	MTS-371 A/9	SİBOP YAYI / VALVE SPRING		6
10	MTS-371 A/10	SİBOP KAFESİ / VALVE CAGE		6
11	MTS-371 A/11	MEMBRAN KAPAĞI / MEMBRANE COVER		3
12	MTS-371 A/12	ORİNG / O-RING	Ø 017.00x3.00	6
13	MTS-371 A/13	MEMBRAN CİVATASI / PISTON HOLDER SCREW	Ø M10x20	3
14	MTS-371 A/14	MEMBRAN PULU / MEMBRANE WASHER		3
15	MTS-371 A/15	MEMBRAN LASTİĞİ / MEMBRANE RUBBER		3
16	MTS-371 A/16	GÖMLEK / PISTON SLEEVE		3
17	MTS-371 A/17	SEGMAN / PISTON RING	Ø 15	6
18	MTS-371 A/18	PERNO / PERNO	Ø 15	3
19	MTS-371 A/19	SEGMAN / PISTON RING	Ø 63	3
20	MTS-371 A/20	PISTON / PISTON	Ø 63	3
21	MTS-371 A/21	BİYEL KOLU / CONNECTION ROD		3
22	MTS-371 A/22	DİRSEK (SU GİRİŞİ) / HOSETAIL FOR FLY NUT	Ø 32x32	1
23	MTS-371 A/23	ORİNG / O-RING	Ø 027.00x4.00	1
24	MTS-371 A/24	DİRSEK SOMUNU (SU GİRİŞİ) / LOCK NUT	G1 1/4"	1
25	MTS-371 A/25	NİPEL / NIPPLE		1
26	MTS-371 A/26	ORİNG / O-RING	Ø 24.99x3.53	1
27	MTS-371 A/27	RULMAN / BEARING	6207	2
28	MTS-371 A/28	ORİNG / O-RING	Ø 070.00x3.00	2
29	MTS-371 A/29	KEÇE / SEAL	Ø 55x10	1
30	MTS-371 A/30	FLANŞ(KARE KAPAK) / MANIFOLD COVER (BACK SIDE)		1
31	MTS-371 A/31	PUL / RONDELA	Ø 8 MM	4
32	MTS-371 A/32	İMBUS CİVATA / SCREW	Ø M8x25	4
33	MTS-371 A/33	SARI TAHLİYE MUSLUĞU / (BRASS) OUTPUT TAP		1
34	MTS-371 A/34	AYAK / PUMP MOUNTING STAND		2
35	MTS-371 A/35	İMBUS CİVATA / SCREW	Ø M6x25	2
36	MTS-371 A/36	PUL / RONDELA	Ø 6 MM	2
37	MTS-371 A/37	ORİNG / O-RING	Ø 016.00x2.50	1
38	MTS-371 A/38	YAĞDANLIK GÖVDESİ / OILCAN		1
39	MTS-371 A/39	ORİNG / O-RING	Ø 42.52x2.62	1
40	MTS-371 A/40	YAĞDANLIK KAPAĞI / OILCAN COVER		1
41	MTS-371 A/41	GÖVDE / CRANKCASE		1
42	MTS-371 A/42	REKOR / NIPPLE	G 1/2" 3/8"	1
43	MTS-371 A/43	EMNİYET VALFİ / SAFETY VALVE	G 1/2"	1
44	MTS-371 A/44	KRANK / CRANK		1
45	MTS-371 A/45	BİLEZİK / RING	Ø 5.5x59	2
46	MTS-371 A/46	KEÇE / SEAL	Ø 35x47x7	1
47	MTS-371 A/47	ORİNG / O-RING	Ø 142.47x3.53	1
48	MTS-371 A/48	ORİNG / O-RING	Ø 108.00x3.00	1
49	MTS-371 A/49	ORİNG / O-RING	Ø 070.00x3.00	1
50	MTS-371 A/50	MANİFOLD KAPAĞI (ÖN) / MANIFOLD COVER (FRONT SIDE)		1
51	MTS-371 A/51	İMBUS CİVATA / SCREW	Ø M6x20	18
52	MTS-371 A/52	VANA / BALL VALVE	G 1/2"	1
53	MTS-371 A/53	ŞAFT MUHAFAZASI / CARDAN PROTECTION		1
54	MTS-371 A/54	PUL / RONDELA	Ø 6 MM	4
55	MTS-371 A/55	İMBUS CİVATA / SCREW	Ø M6x10	4
56	MTS-371 A/56	DEMİR NİPEL / NIPPLE (STAINLESS)	G 1/2"	1

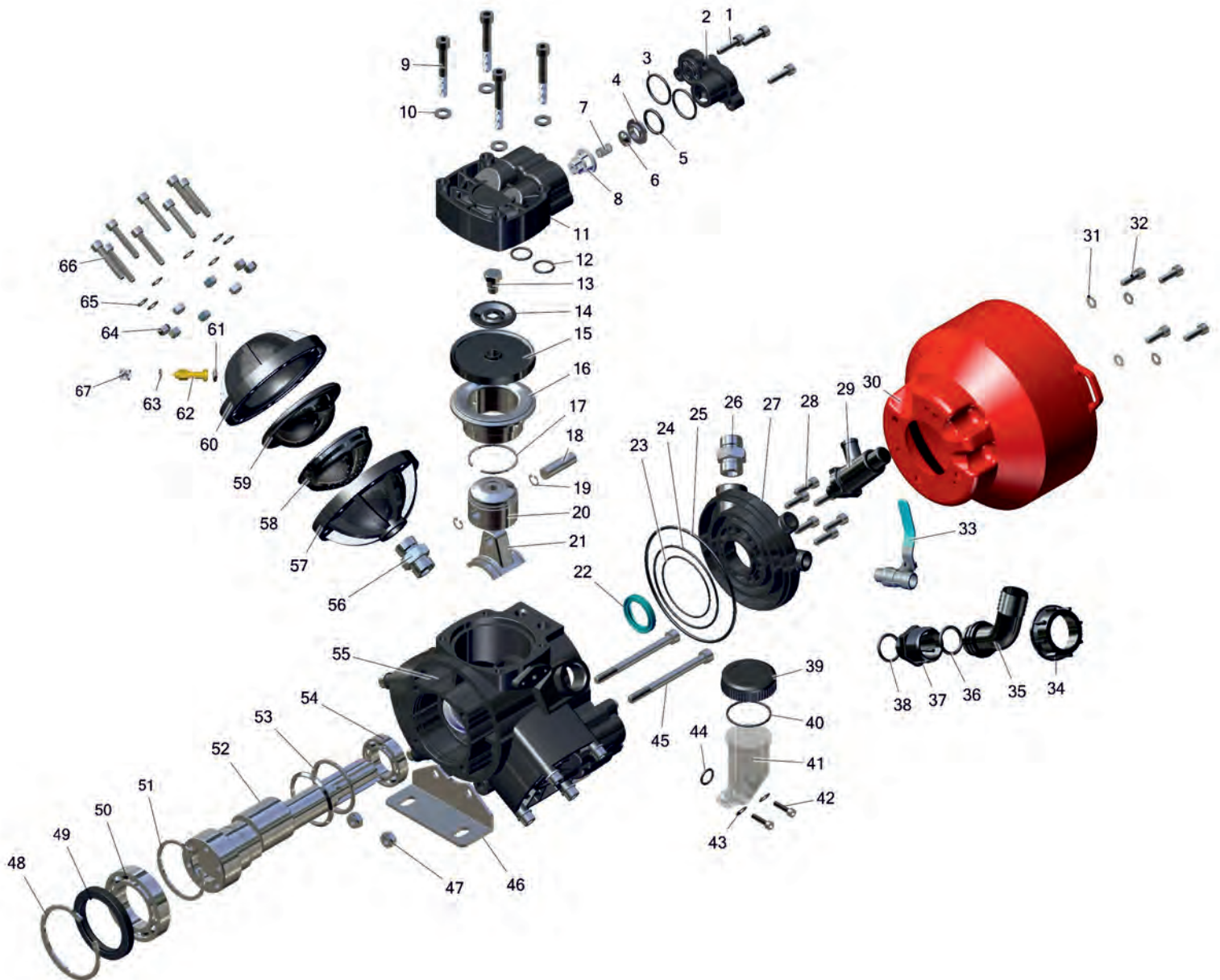
MTS-371 P



KOD/CODE	MTS-371 P
DEBİ (LT./DAK.) FLOW (LT./MIN.)	71
DEVİR (D./DAK.) SPEED (R.P.M)	540
GÜÇ (HP) POWER	9.1
PİSTON PISTON	3
BASINÇ (BAR) PRESSURE	45
YAĞ CİNSİ OIL TYPE	20W50
YAĞ KAPASİTESİ (LT.) OIL CAPACITY	1.0
ÖLÇÜLER (CM.) DIMENSIONS	36x37x28
AĞIRLIK (KG.) WEIGHT	19.45



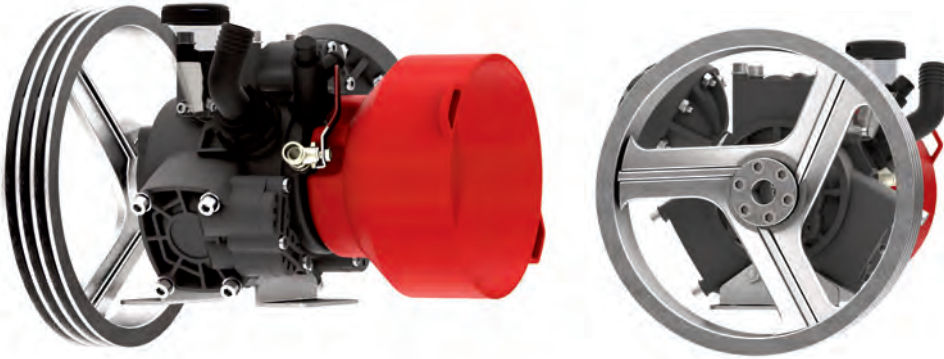
MTS-371 P



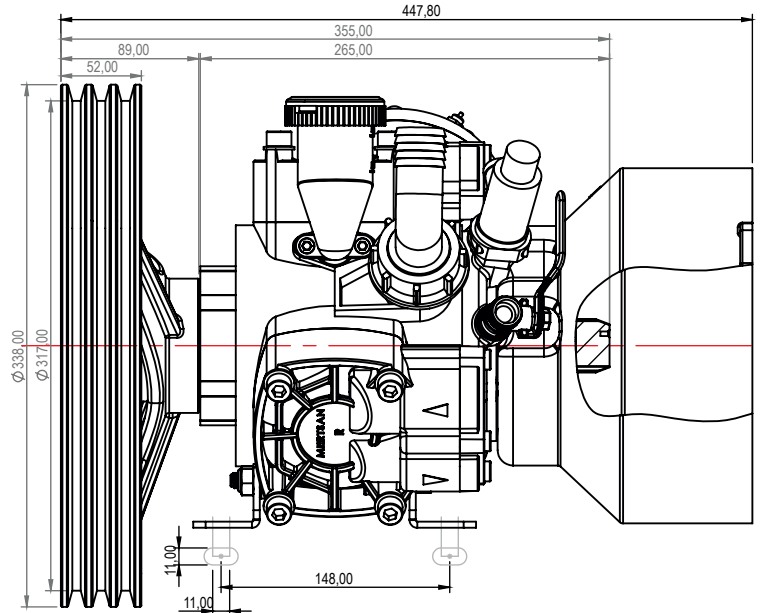
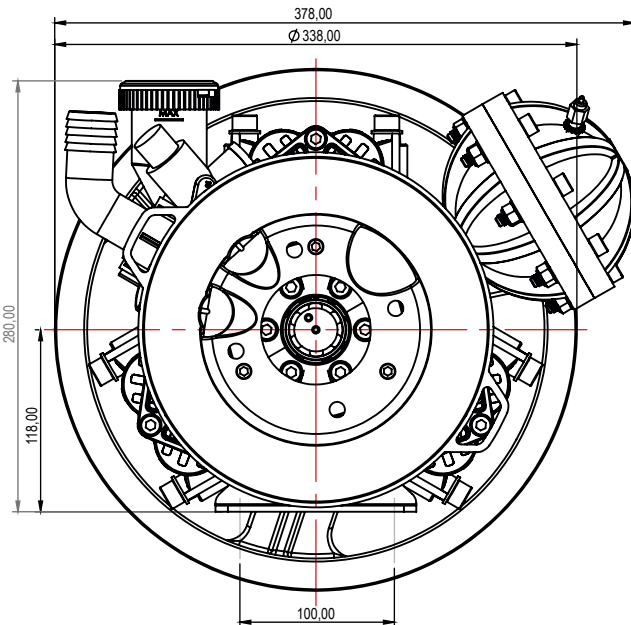
MTS-371 P

№	ÜRÜN KODU/PRODUCTS CODE	AÇIKLAMA / DESCRIPTION	ÖLÇÜLER/ DIMENSIONS	ADET/QTY
1	MTS-371-P/1	İMBUS CİVATA / SCREW	Ø M8x30	9
2	MTS-371-P/2	GÖZLÜK / PLUG		3
3	MTS-371-P/3	ORİNG / O-RING	Ø 033.00x3.00	6
4	MTS-371-P/4	SİBOP KROMU / VALVE CHROMIUM		6
5	MTS-371-P/5	ORİNG / O-RING	Ø 24.99x3.53	6
6	MTS-371-P/6	SİBOP PULU / VALVE WASHER		6
7	MTS-371-P/7	SİBOP YAYI / VALVE SPRING		6
8	MTS-371-P/8	SİBOP KAFESİ / VALVE CAGE		6
9	MTS-371-P/9	İMBUS CİVATA / SCREW	Ø M10x70	12
10	MTS-371-P/10	PUL / RONDELA	Ø 10 MM	12
11	MTS-371-P/11	MEMBRAN KAPAĞI / MEMBRANE COVER		3
12	MTS-371-P/12	ORİNG / O-RING	Ø 021.00x3.00	6
13	MTS-371-P/13	MEMBRAN CİVATASI / PISTON HOLDER SCREW	Ø 12x20	3
14	MTS-371-P/14	MEMBRAN PULU / MEMBRANE WASHER		3
15	MTS-371-P/15	MEMBRAN LASTİĞİ / MEMBRANE RUBBER		3
16	MTS-371-P/16	GÖMLEK / PISTON SLEEVE		3
17	MTS-371-P/17	SEGMAN / PISTON RING	Ø 58	3
18	MTS-371-P/18	PERNO / PERNO	Ø 14	3
19	MTS-371-P/19	SEGMAN / PISTON RING	Ø 14	6
20	MTS-371-P/20	PISTON / PISTON	Ø 58	3
21	MTS-371-P/21	BİYEL KOLU / CONNECTION ROD		3
22	MTS-371-P/22	KEÇE / SEAL	Ø 35x47x7	1
23	MTS-371-P/23	ORİNG / O-RING	Ø 074.00x2.00	1
24	MTS-371-P/24	ORİNG / O-RING	Ø 100.00x2.00	1
25	MTS-371-P/25	ORİNG / O-RING	Ø 145.72x2.62	1
26	MTS-371-P/26	REKOR / NIPPLE	G ¾"	1
27	MTS-371-P/27	MANİFOLD KAPAĞI / MANIFOLD COVER		1
28	MTS-371-P/28	İMBUS CİVATA / SCREW	Ø M8x25	6
29	MTS-371-P/29	EMNİYET VALFİ / SAFETY VALVE	G ¾"	1
30	MTS-371-P/30	ŞAFT MUHAFAZASI / CARDAN PROTECTION		1
31	MTS-371-P/31	PUL / RONDELA	Ø 6 MM	4
32	MTS-371-P/32	İMBUS CİVATA / SCREW	Ø M6x10	4
33	MTS-371-P/33	VANA / VALVE	Ø G ¾"	1
34	MTS-371-P/34	DİRSEK SOMUNU (SU GİRİŞİ) / LOCK NUT	G1 ¼"	1
35	MTS-371-P/35	DİRSEK (SU GİRİŞİ) / HOSETAIL FOR FLY NUT	Ø 32x32	1
36	MTS-371-P/36	ORİNG / O-RING	Ø 027.00x4.00	1
37	MTS-371-P/37	NİPEL / NIPPLE		1
38	MTS-371-P/38	ORİNG / O-RING	Ø 24.99x3.53	1
39	MTS-371-P/39	YAĞDANLIK KAPAĞI / OILCAN COVER		1
40	MTS-371-P/40	ORİNG / O-RING	Ø 42.52x2.62	1
41	MTS-371-P/41	YAĞDANLIK GÖVDESİ / OILCAN		1
42	MTS-371-P/42	İMBUS CİVATA / SCREW	Ø M6x25	2
43	MTS-371-P/43	PUL / RONDELA	Ø 6 MM	2
44	MTS-371-P/44	ORİNG / O-RING	Ø 016.00x2.50	1
45	MTS-371-P/45	İMBUS CİVATA / SCREW	Ø M10x120	2
46	MTS-371-P/46	AYAK / PUMP MOUNTING STAND		2
47	MTS-371-P/47	SOMUN / LOCK NUT	Ø 10	2
48	MTS-371-P/48	SEGMAN / PISTON RING	Ø 90	1
49	MTS-371-P/49	KEÇE / SEAL	Ø 70x90x10	1
50	MTS-371-P/50	RULMAN / BEARING	6011	1
51	MTS-371-P/51	SEGMAN / PISTON RING	Ø 55	1
52	MTS-371-P/52	KRANK / CRANK		1
53	MTS-371-P/53	BİLEZİK / RING	Ø 5.5x60	2
54	MTS-371-P/54	RULMAN / BEARING	6007	1
55	MTS-371-P/55	GÖVDE / CRANKCASE		1
56	MTS-371-P/56	REKOR / NIPPLE	G ¾"	1
57	MTS-371-P/57	HAVA TÜPÜ ALT KAPAK / AIR TUBE INFRA ACCUMULATOR		1
58	MTS-371-P/58	HAVA TÜPÜ İÇ PLASTİK / AIR TUBE INNER PLASTIC		1
59	MTS-371-P/59	HAVA TÜPÜ İÇ LASTİK / AIR TUBE INNER LASTIC		1
60	MTS-371-P/60	HAVA TÜPÜ ÜST KAPAK / AIR TUBE UPPER ACCUMULATOR		1
61	MTS-371-P/61	ORİNG / O-RING	Ø 007.59x2.62	1
62	MTS-371-P/62	TÜP SİBOBU / AIR TUBE VALVE		1
63	MTS-371-P/63	TİRTİKLİ PUL/RONDELA	Ø 8	1
64	MTS-371-P/64	FİBERLİ SOMUN / FIBER NUT	Ø 8	8
65	MTS-371-P/65	PUL / RONDELA	Ø 8 MM	8
66	MTS-371-P/66	İMBUS CİVATA / SCREW	Ø M8x45	8
67	MTS-371-P/67	TÜP SİBOP KAPAĞI / AIR TUBE VALVE COVER		1

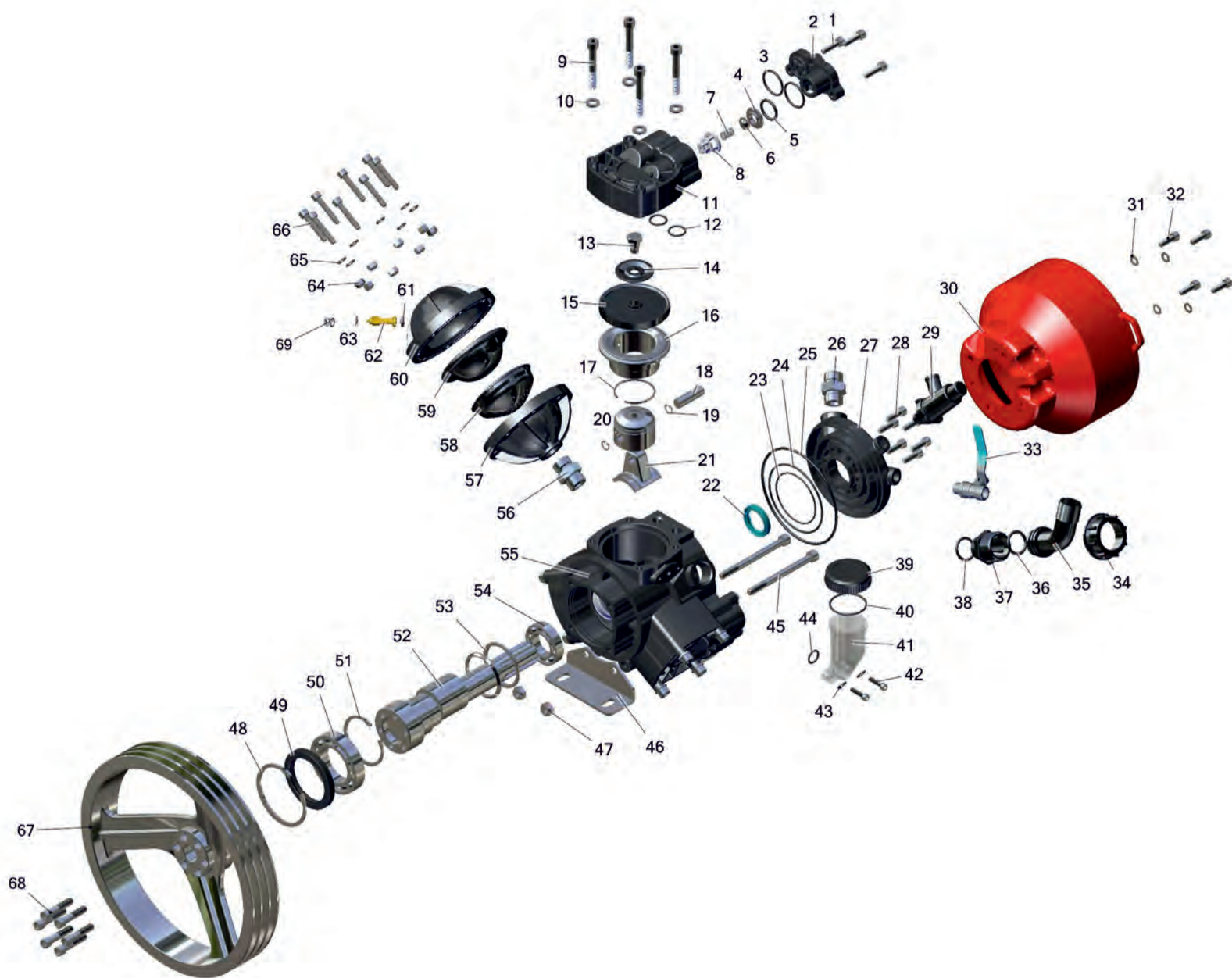
MTS-371 PK



KOD/CODE	MTS-371 PK
DEBİ (LT./DAK.) FLOW (LT./MIN.)	71
DEVİR (D./DAK.) SPEED (R.P.M)	540
GÜÇ (HP) POWER	9.1
PİSTON PISTON	3
BASINÇ (BAR) PRESSURE	45
YAĞ CİNSİ OIL TYPE	20W50
YAĞ KAPASİTESİ (LT.) OIL CAPACITY	1.0
ÖLÇÜLER (CM.) DIMENSIONS	45x38x28
AĞIRLIK (KG.) WEIGHT	23.05



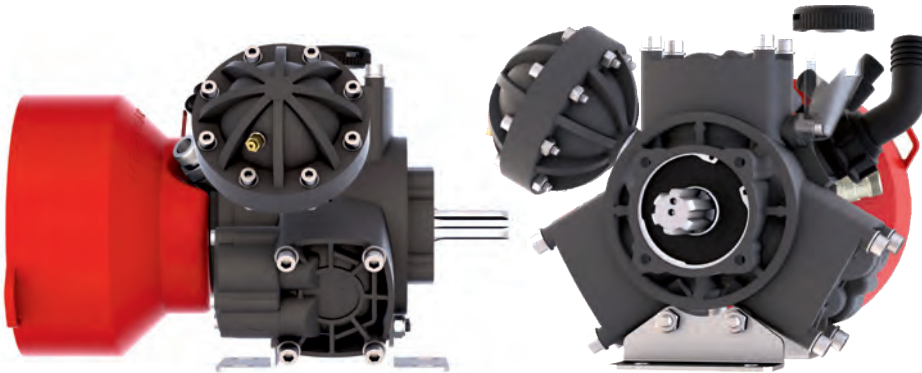
MTS-371 PK



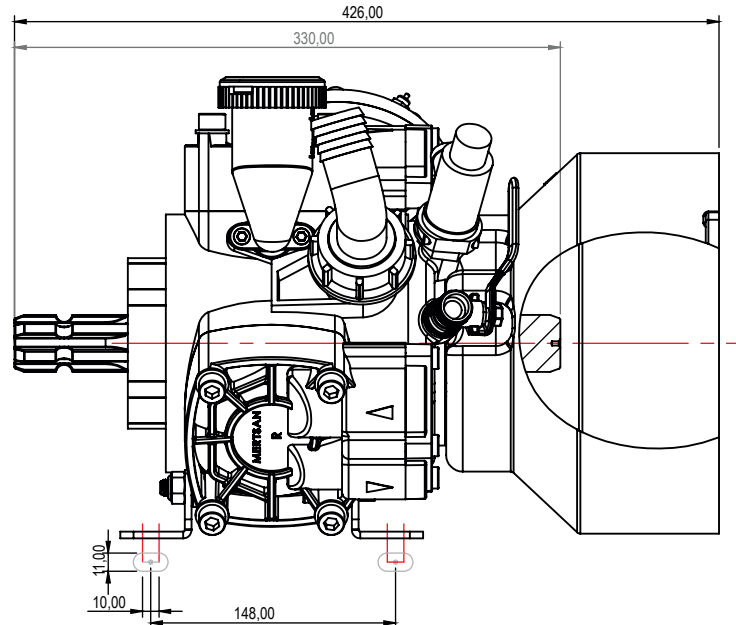
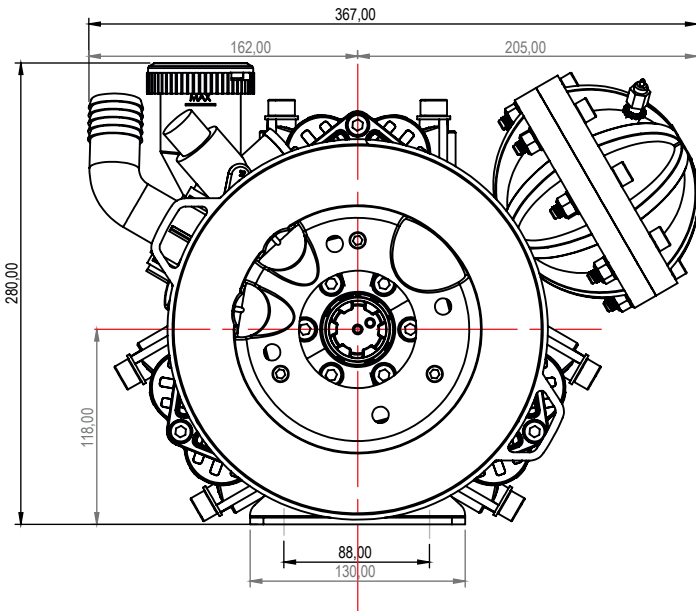
MTS-371 PK

Nº	ÜRÜN KODU / PRODUCT CODE	AÇIKLAMA / DESCRIPTION	ÖLÇÜLER / DIMENSIONS	ADET / QTY
1	MTS-371 PK/1	İMBUS CİVATA / SCREW	Ø M8x30	9
2	MTS-371 PK/2	GÖZLÜK / PLUG		3
3	MTS-371 PK/3	ORİNG / O-RING	Ø 033.00x3.00	6
4	MTS-371 PK/4	SİBOP KROMU / VALVE CHROMIUM		6
5	MTS-371 PK/5	ORİNG / O-RING	Ø 24.99x3.53	6
6	MTS-371 PK/6	SİBOP PULU / VALVE WASHER		6
7	MTS-371 PK/7	SİBOP YAYI / VALVE SPRING		6
8	MTS-371 PK/8	SİBOP KAFESİ / VALVE CAGE		6
9	MTS-371 PK/9	İMBUS CİVATA / SCREW	Ø M10x70	12
10	MTS-371 PK/10	PUL / RONDELA	Ø 10 MM	12
11	MTS-371 PK/11	MEMBRAN KAPAĞI / MEMBRANE COVER		3
12	MTS-371 PK/12	ORİNG / O-RING	Ø 021.00x3.00	6
13	MTS-371 PK/13	MEMBRAN CİVATASI / PISTON HOLDER SCREW	Ø M12x20	3
14	MTS-371 PK/14	MEMBRAN PULU / MEMBRANE WASHER		3
15	MTS-371 PK/15	MEMBRAN LASTİĞİ / MEMBRANE RUBBER		3
16	MTS-371 PK/16	GÖMLEK / PISTON SLEEVE		3
17	MTS-371 PK/17	SEGMAN / PISTON RING	Ø 58	3
18	MTS-371 PK/18	PERNO / PERNO	Ø 14	3
19	MTS-371 PK/19	SEGMAN / PISTON RING	Ø 14	6
20	MTS-371 PK/20	PISTON / PISTON	Ø 58	3
21	MTS-371 PK/21	BİYEL KOLU / CONNECTION ROD		3
22	MTS-371 PK/22	KEÇE / SEAL	Ø 35x47x7	1
23	MTS-371 PK/23	ORİNG / O-RING	Ø 074.00x2.00	1
24	MTS-371 PK/24	ORİNG / O-RING	Ø 100.00x2.00	1
25	MTS-371 PK/25	ORİNG / O-RING	Ø 145.72x2.62	1
26	MTS-371 PK/26	REKOR / NIPPLE	G ¼"	1
27	MTS-371 PK/27	MANIFOLD KAPAĞI / MANIFOLD COVER		1
28	MTS-371 PK/28	İMBUS CİVATA / SCREW	Ø M8x25	6
29	MTS-371 PK/29	EMNİYET VALFİ / SAFETY VALVE	G ¾"	1
30	MTS-371 PK/30	ŞAFT MUHAFAZASI / CARDAN PROTECTION		1
31	MTS-371 PK/31	PUL / RONDELA	Ø 6 MM	4
32	MTS-371 PK/32	İMBUS CİVATA / SCREW	Ø M6x10	4
33	MTS-371 PK/33	VANA / VALVE	G ¾"	1
34	MTS-371 PK/34	SOMUN (SU GİRİŞİ) / LOCK NUT	G1 ¼"	1
35	MTS-371 PK/35	DİRSEK (SU GİRİŞİ) / HOSETAIL FOR FLY NUT	Ø 32x32	1
36	MTS-371 PK/36	ORİNG / O-RING	Ø 027.00x4	1
37	MTS-371 PK/37	NİPEL / NIPPLE		1
38	MTS-371 PK/38	ORİNG / O-RING	Ø 24.99x3.53	1
39	MTS-371 PK/39	YAĞDANLIK KAPAĞI / OILCAN COVER		1
40	MTS-371 PK/40	ORİNG / O-RING	Ø 42.52x2.62	1
41	MTS-371 PK/41	YAĞDANLIK GÖVDESİ / OILCAN		1
42	MTS-371 PK/42	İMBUS CİVATA / SCREW	Ø M6x25	2
43	MTS-371 PK/43	PUL / RONDELA	Ø 6 MM	2
44	MTS-371 PK/44	ORİNG / O-RING	Ø 016.00x2.50	1
45	MTS-371 PK/45	İMBUS CİVATA / SCREW	Ø M10x120	2
46	MTS-371 PK/46	AYAK / PUMP MOUNTING STAND		2
47	MTS-371 PK/47	SOMUN / LOCK NUT	Ø 10 MM	2
48	MTS-371 PK/48	SEGMAN / PISTON RING	Ø 90	1
49	MTS-371 PK/49	KEÇE / SEAL	Ø 70x90x10	1
50	MTS-371 PK/50	RULMAN / BEARING	6011	1
51	MTS-371 PK/51	SEGMAN / PISTON RING	Ø 55	1
52	MTS-371 PK/52	KRANK / CRANK		1
53	MTS-371 PK/53	BİLEZİK / RING	Ø 5.5x60	2
54	MTS-371 PK/54	RULMAN / BEARING	6007	1
55	MTS-371 PK/55	GÖVDE / CRANKCASE		1
56	MTS-371 PK/56	REKOR / NIPPLE	G ¼"	1
57	MTS-371 PK/57	HAVA TÜPÜ ALT KAPAK / AIR TUBE INFRA ACCUMULATOR		1
58	MTS-371 PK/58	HAVA TÜPÜ İÇ PLASTİK / AIR TUBE INNER PLASTIC		1
59	MTS-371 PK/59	HAVA TÜPÜ İÇ LASTİK / AIR TUBE INNER LASTIC		1
60	MTS-371 PK/60	HAVA TÜPÜ ÜST KAPAK / AIR TUBE UPPER ACCUMULATOR		1
61	MTS-371 PK/61	ORİNG / O-RING	Ø 007.59x2.62	1
62	MTS-371 PK/62	TÜP SİBOBU / AIR TUBE VALVE		1
63	MTS-371 PK/63	TİRTİKLİ PUL / RONDELA	Ø 8 MM	1
64	MTS-371 PK/64	FİBERLİ SOMUN / FIBER NUT	Ø 8 MM	8
65	MTS-371 PK/65	PUL / RONDELA	Ø 8 MM	8
66	MTS-371 PK/66	İMBUS CİVATA / SCREW	Ø M8x45	8
67	MTS-371 PK/67	KASNAK / PULLEY		1
68	MTS-371 PK/68	İMBUS CİVATA / SCREW	Ø M45x10	6
69	MTS-371 PK/69	TÜP SİBOP KAPAĞI / AIR TUBE VALVE COVER		1

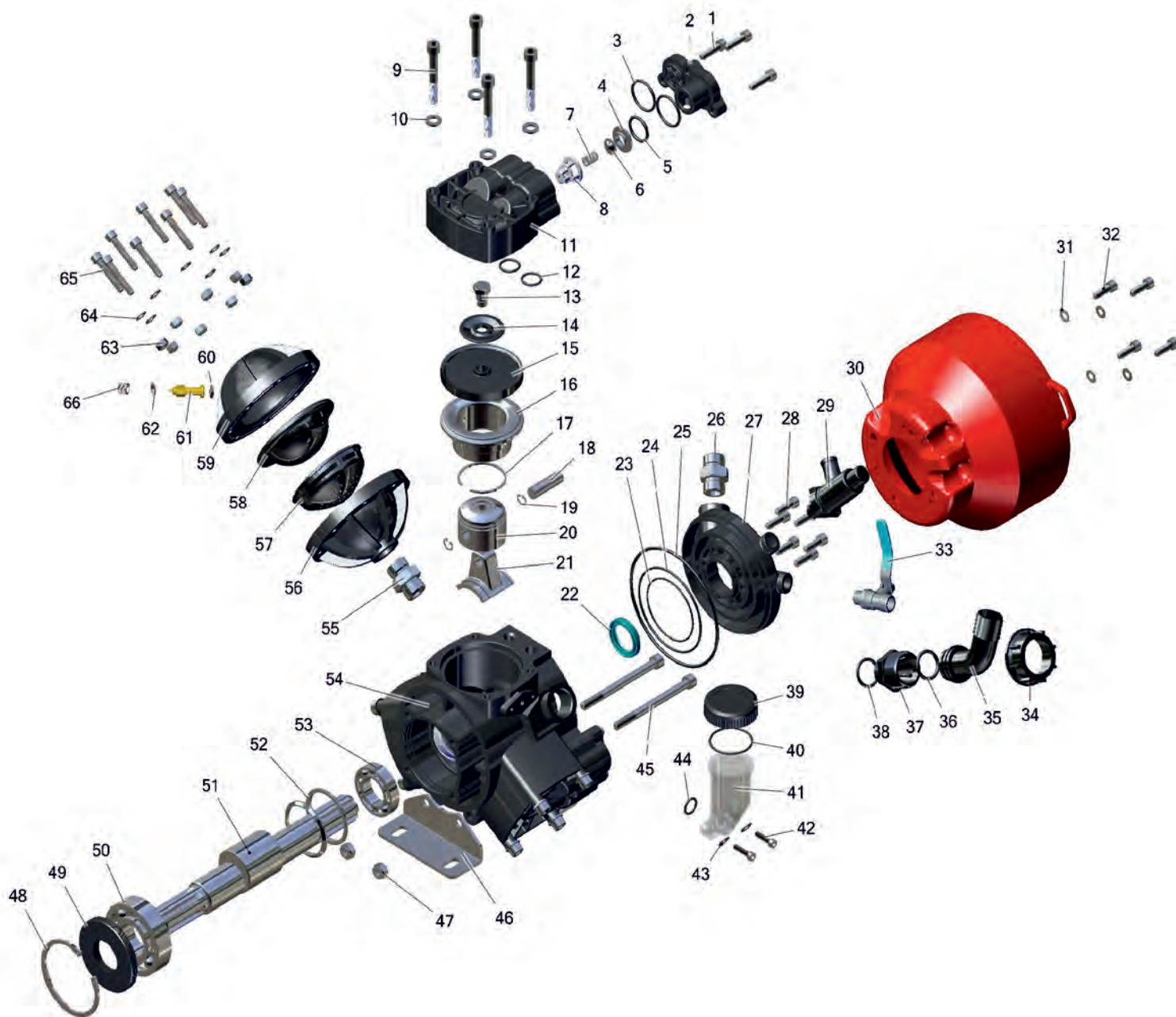
MTS-371 Z



KOD/CODE	MTS-371 Z
DEBİ (LT./DAK.) FLOW (LT./MIN.)	71
DEVİR (D./DAK.) SPEED (R.P.M)	540
GÜÇ (HP) POWER	9.1
PİSTON PISTON	3
BASINÇ (BAR) PRESSURE	45
YAĞ CİNSİ OIL TYPE	20W50
YAĞ KAPASİTESİ (LT.) OIL CAPACITY	1.0
ÖLÇÜLER (CM.) DIMENSIONS	43x37x28
AĞIRLIK (KG.) WEIGHT	19.35



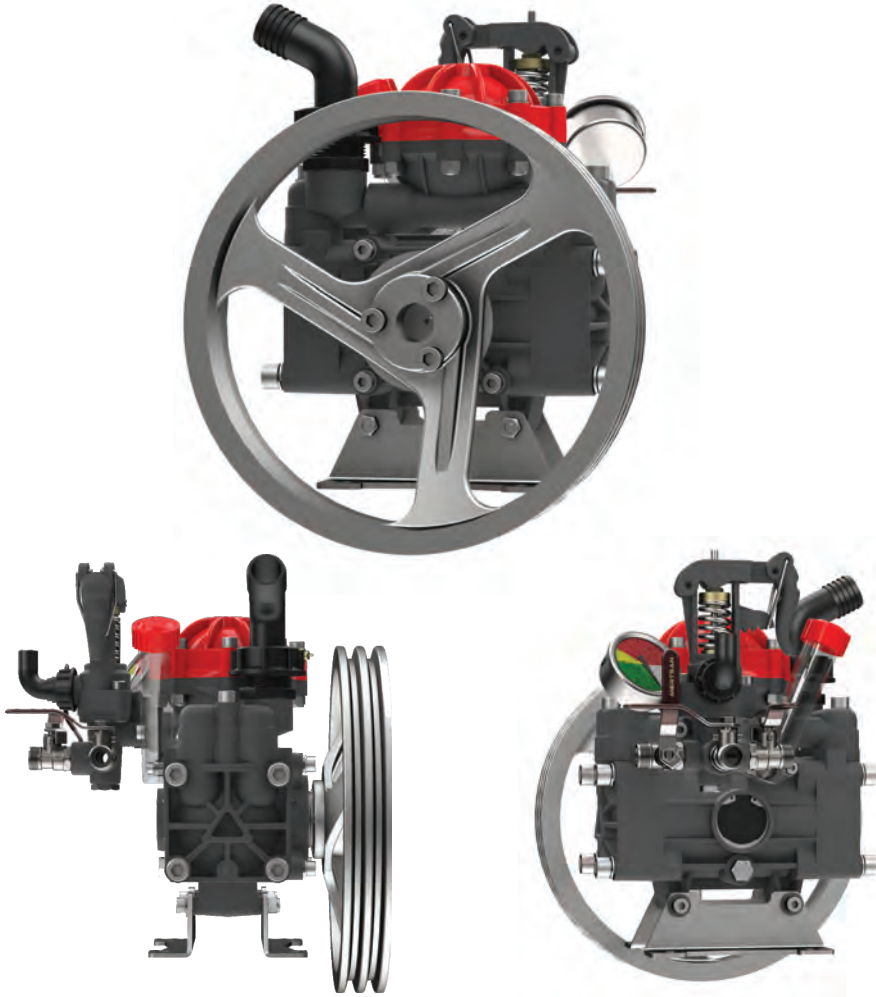
MTS-371 Z



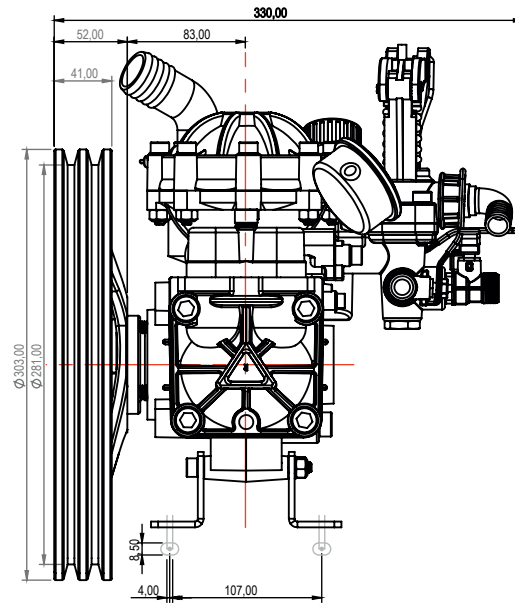
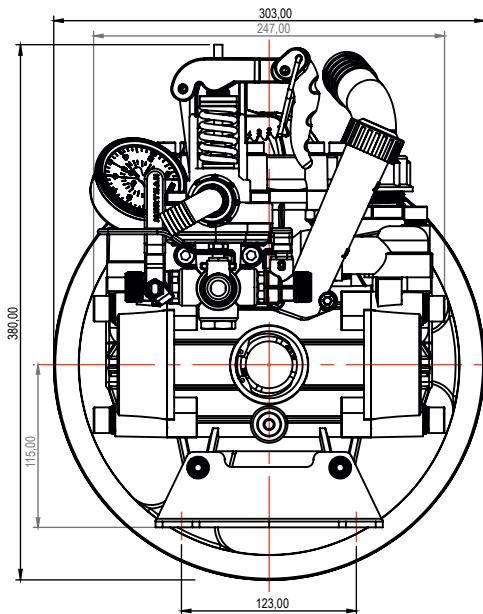
MTS-371 Z

Nº	ÜRÜN KODU / PRODUCT CODE	AÇIKLAMA / DESCRIPTION	ÖLÇÜLER / DIMENSIONS	ADET / QTY
1	MTS-371 Z/1	İMBUS CİVATA / SCREW	Ø M8x30	9
2	MTS-371 Z/2	GÖZLÜK / PLUG		3
3	MTS-371 Z/3	ORİNG / O-RING	Ø 033.00x3.00	6
4	MTS-371 Z/4	SİBOP KROMU / VALVE CHROMIUM		6
5	MTS-371 Z/5	ORİNG / O-RING	Ø 24.99x3.53	6
6	MTS-371 Z/6	SİBOP PULU / VALVE WASHER		6
7	MTS-371 Z/7	SİBOP YAYI / VALVE SPRING		6
8	MTS-371 Z/8	SİBOP KAFESİ / VALVE CAGE		6
9	MTS-371 Z/9	İMBUS CİVATA / SCREW	Ø M70x10	12
10	MTS-371 Z/10	PUL / RONDELA	Ø 10 MM	12
11	MTS-371 Z/11	MEMBRAN KAPAĞI / MEMBRANE COVER		3
12	MTS-371 Z/12	ORİNG / O-RING	Ø 021.00x3.00	6
13	MTS-371 Z/13	MEMBRAN CİVATASI / PISTON HOLDER SCREW	Ø 12x20	3
14	MTS-371 Z/14	MEMBRAN PULU / MEMBRANE WASHER		3
15	MTS-371 Z/15	MEMBRAN LASTİĞİ / MEMBRANE RUBBER		3
16	MTS-371 Z/16	GÖMLEK / PISTON SLEEVE		3
17	MTS-371 Z/17	SEGMAN / PISTON RING	Ø 58	3
18	MTS-371 Z/18	PERNO / PERNO	Ø 14	3
19	MTS-371 Z/19	SEGMAN / PISTON RING	Ø 14	6
20	MTS-371 Z/20	PİSTON / PISTON	Ø 58	3
21	MTS-371 Z/21	BİYEL KOLU / CONNECTION ROD		3
22	MTS-371 Z/22	KEÇE / SEAL	Ø 35x47x7	1
23	MTS-371 Z/23	ORİNG / O-RING	Ø 074.00x2.00	1
24	MTS-371 Z/24	ORİNG / O-RING	Ø 100.00x2.00	1
25	MTS-371 Z/25	ORİNG / O-RING	Ø 145.72x2.62	1
26	MTS-371 Z/26	REKOR / NIPPLE	G ¾"	1
27	MTS-371 Z/27	MANİFOLD KAPAĞI / MANIFOLD COVER		1
28	MTS-371 Z/28	İMBUS CİVATA / SCREW	Ø M8x25	6
29	MTS-371 Z/29	EMNİYET VALFİ / SAFETY VALVE	G ¾"	1
30	MTS-371 Z/30	ŞAFT MUHAFAZASI / CARDAN PROTECTION		1
31	MTS-371 Z/31	PUL / RONDELA	Ø 6 MM	4
32	MTS-371 Z/32	İMBUS CİVATA / SCREW	Ø M6x10	4
33	MTS-371 Z/33	VANA / VALVE	G ¾"	1
34	MTS-371 Z/34	DİRSEK (SU GİRİŞİ) / HOSETAIL FOR FLY NUT	Ø 32x32	1
35	MTS-371 Z/35	DİRSEK SOMUNU (SU GİRİŞİ) / LOCK NUT	G1 ½"	1
36	MTS-371 Z/36	ORİNG / O-RING	Ø 027.00x4.00	1
37	MTS-371 Z/37	NİPEL / NIPPLE		1
38	MTS-371 Z/38	ORİNG / O-RING	Ø 024.99x3.53	1
39	MTS-371 Z/39	YAĞDANLIK KAPAĞI / OILCAN COVER		1
40	MTS-371 Z/40	ORİNG / O-RING	Ø 42.52x2.62	1
41	MTS-371 Z/41	YAĞDANLIK GÖVDESİ / OILCAN		1
42	MTS-371 Z/42	İMBUS CİVATA / SCREW	Ø M6x25	2
43	MTS-371 Z/43	PUL / RONDELA	Ø 6 MM	2
44	MTS-371 Z/44	ORİNG / O-RING	Ø 016x2.50	1
45	MTS-371 Z/45	İMBUS CİVATA / SCREW	Ø M10x120	2
46	MTS-371 Z/46	AYAK / PUMP MOUNTING STAND		2
47	MTS-371 Z/47	SOMUN / LOCK NUT	Ø 10 MM	2
48	MTS-371 Z/48	SEGMAN / PISTON RING	Ø 90	1
49	MTS-371 Z/49	KEÇE / SEAL	Ø 40x90x10	1
50	MTS-371 Z/50	RULMAN / BEARING	6308	1
51	MTS-371 Z/51	KRANK / CRANK		1
52	MTS-371 Z/52	BİLEZİK / RING	Ø 5.5x60	2
53	MTS-371 Z/53	RULMAN / BEARING	6007	1
54	MTS-371 Z/54	GÖVDE / CRANKCASE		1
55	MTS-371 Z/55	REKOR / NIPPLE	G ¾"	1
56	MTS-371 Z/56	HAVA TÜPÜ ALT KAPAK / AIR TUBE INFRA ACCUMULATOR		1
57	MTS-371 Z/57	HAVA TÜPÜ İÇ PLASTİK / AIR TUBE INNER PLASTIC		1
58	MTS-371 Z/58	HAVA TÜPÜ İÇ LASTİK / AIR TUBE INNER LASTIC		1
59	MTS-371 Z/59	HAVA TÜPÜ ÜST KAPAK / AIR TUBE UPPER ACCUMULATOR		1
60	MTS-371 Z/60	ORİNG / O-RING	Ø 007.59x2.62	1
61	MTS-371 Z/61	TÜP SİBOBU / AIR TUBE VALVE		1
62	MTS-371 Z/62	TİRTİKLİ PUL / RONDELA	Ø 8 MM	1
63	MTS-371 Z/63	FİBERLİ SOMUN / FIBER NUT	Ø 8 MM	8
64	MTS-371 Z/64	PUL / RONDELA	Ø 8 MM	8
65	MTS-371 Z/65	İMBUS CİVATA / SCREW	Ø 8x45	8
66	MTS-371 Z/66	TÜP SİBOP KAPAĞI / AIR TUBE VALVE COVER		1

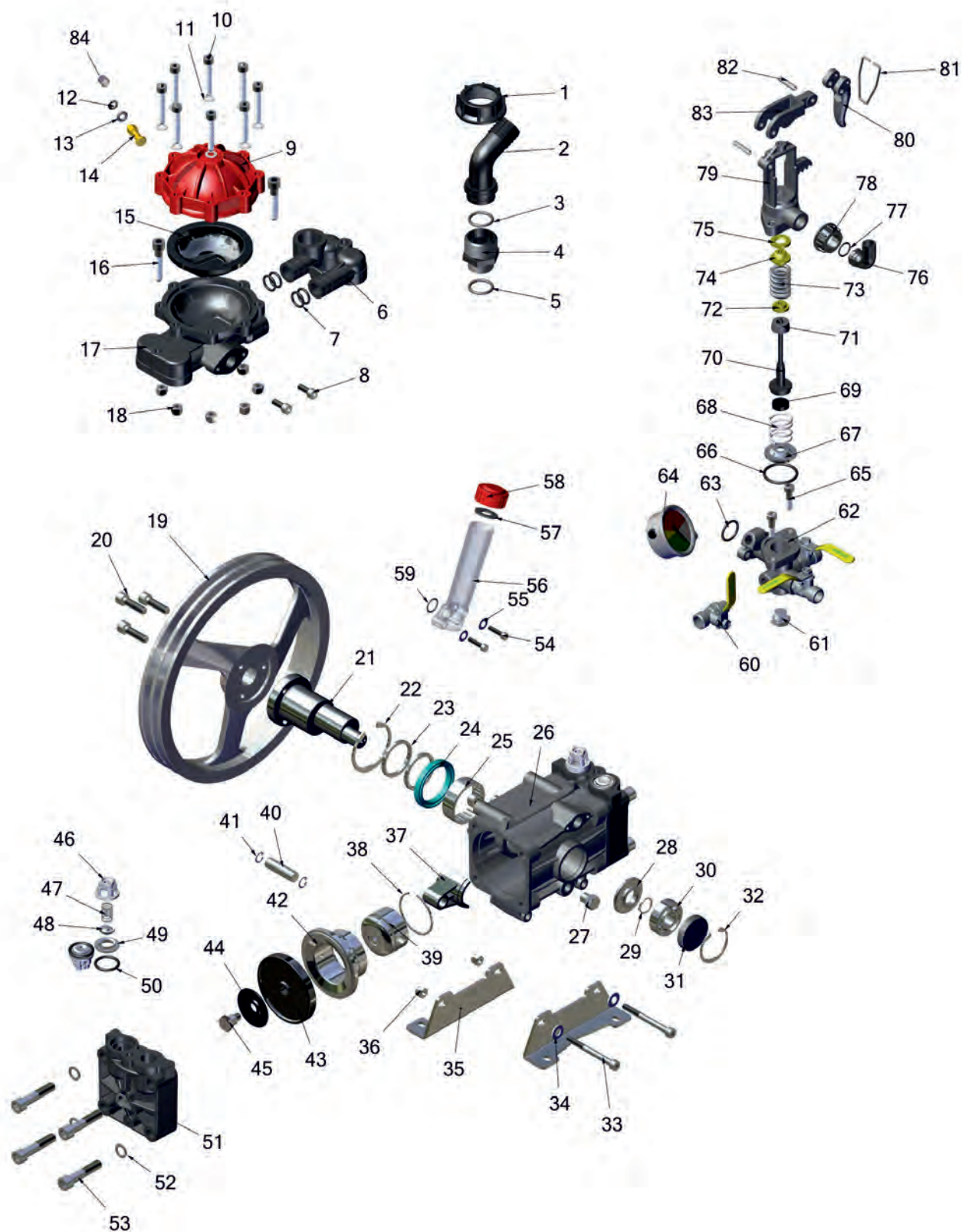
MTS-230 K



KOD/CODE	MTS-230 K
DEBİ (LT./DAK.) FLOW (LT./MIN.)	30
DEVİR (D./DAK.) SPEED (R.P.M)	540
GÜÇ (HP) POWER	2.7
PİSTON PISTON	2
BASINÇ (BAR) PRESSURE	35
YAĞ CİNSİ OIL TYPE	20W50
YAĞ KAPASİTESİ (LT.) OIL CAPACITY	0.50
ÖLÇÜLER (CM.) DIMENSIONS	33x30x38
AĞIRLIK (KG.) WEIGHT	13.15



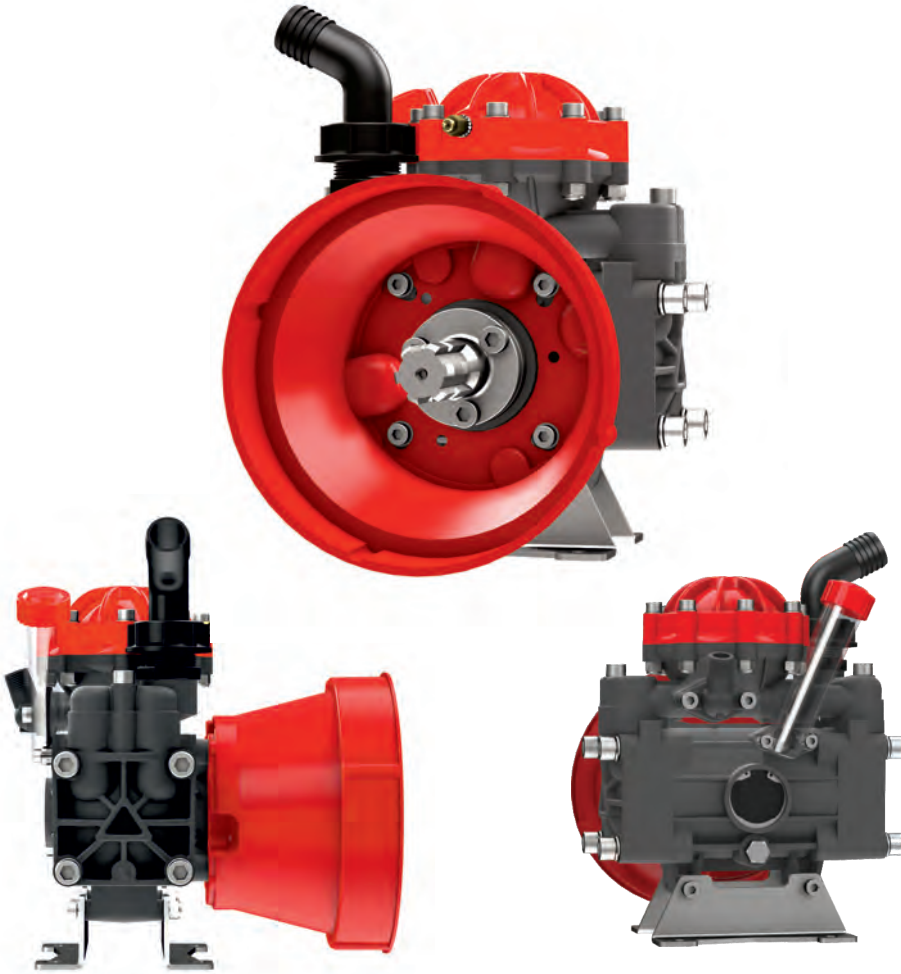
MTS-230 K



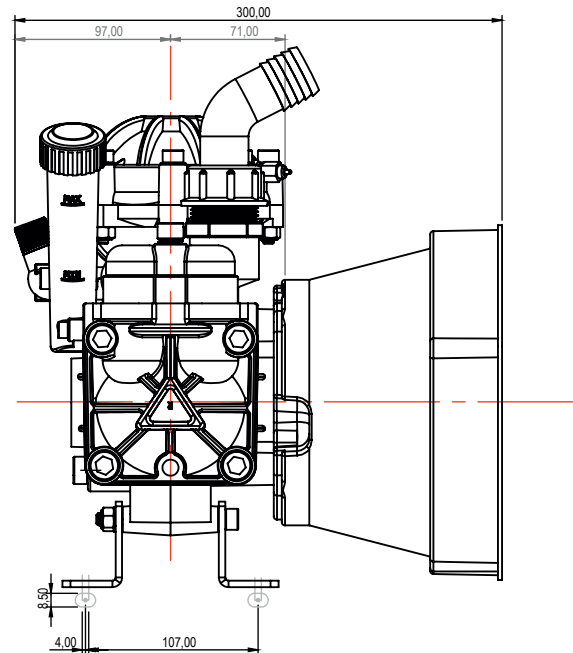
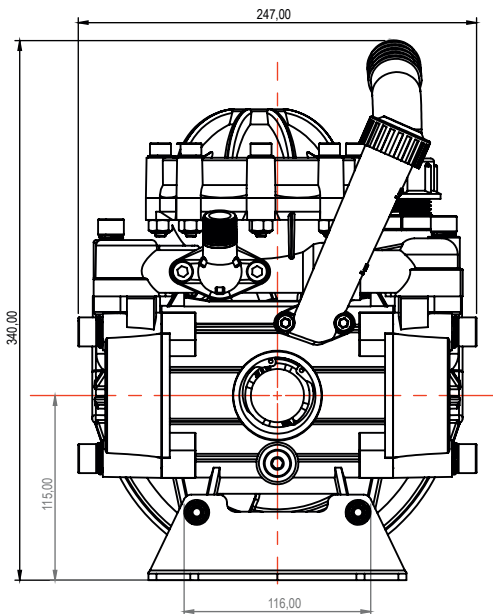
MTS-230 K

Nº	ÜRÜN KODU / PRODUCT CODE	AÇIKLAMA / DESCRIPTION	ÖLÇÜLER / DIMENSIONS	ADET / QTY
1	MTS-230 K/1	DIRSEK (SU GİRİŞİ) / HOSETAIL FOR FLY NUT	Ø 32x32	1
2	MTS-230 K/2	DIRSEK SOMUNU (SU GİRİŞ) / LOCK NUT	G1 1/2"	1
3	MTS-230 K/3	ORİNG / O-RING	Ø 027.00x4.00	1
4	MTS-230 K/4	NİPEL / NIPPLE		1
5	MTS-230 K/5	ORİNG / O-RING	Ø 24.99x3.53	1
6	MTS-230 K/6	TÜP KAPAĞI (KISA MANIFOLD) / AIR TUBE COVER(SHORT MANIFOLD)		1
7	MTS-230 K/7	ORİNG / O-RING	Ø 21.00x3.00	4
8	MTS-230 K/8	İMBUS CİVATA / SCREW	Ø M8x25	2
9	MTS-230 K/9	TÜP ÜST KAPAĞI / AIR TUBE UPPER ACCUMULATOR		1
10	MTS-230 K/10	İMBUS CİVATA / SCREW	Ø M8x45	8
11	MTS-230 K/11	PUL / RONDELA	Ø 8 MM	8
12	MTS-230 K/12	TİRTİKLİ PUL / RONDELA	Ø 8 MM	1
13	MTS-230 K/13	ORİNG / O-RING	Ø 007.59x2.62	1
14	MTS-230 K/14	TÜP SİBOBU / AIR TUBE VALVE		1
15	MTS-230 K/15	HAVA TÜPÜ İÇ LASTİK / AIR TUBE INNER LASTIC		1
16	MTS-230 K/16	İMBUS CİVATA / SCREW	Ø M10x50	2
17	MTS-230 K/17	TÜPÜ ALT KAPAK / AIR TUBE INFRA ACCUMULATOR		1
18	MTS-230 K/18	FİBERLİ SOMUN / NUT	Ø 8 MM	8
19	MTS-230 K/19	KASNAK / PULLEY		1
20	MTS-230 K/20	İMBUS CİVATA / SCREW	Ø M10x45	3
21	MTS-230 K/21	KRANK / CRANK		1
22	MTS-230 K/22	SEGMAN / PISTON RING	Ø 47	1
23	MTS-230 K/23	BİLEZİK / RING	Ø 5x42	2
24	MTS-230 K/24	KEÇE / SEAL	Ø 50x65x8	1
25	MTS-230 K/25	RULMAN / BEARING	5020	1
26	MTS-230 K/26	GÖVDE / CRANKCASE		1
27	MTS-230 K/27	YAĞ BOŞALTIMA TAPASI / OIL OUTPUT TAP		1
28	MTS-230 K/28	KRANK PULU / CRANK WASHER		1
29	MTS-230 K/29	SEGMAN / PISTON RING	Ø 18 MM	1
30	MTS-230 K/30	RULMAN / BEARING	6204	1
31	MTS-230 K/31	KEÇE / SEAL	Ø 47x8	1
32	MTS-230 K/32	SEGMAN / PISTON RING	Ø 47	1
33	MTS-230 K/33	İMBUS CİVATA / SCREW	Ø 8x80	2
34	MTS-230 K/34	PUL / RONDELA	Ø 8MM	2
35	MTS-230 K/35	AYAK / PUMP MOUNTING STAND		2
36	MTS-230 K/36	SOMUN / LOCK NUT	Ø 8 MM	2
37	MTS-230 K/37	BİYEL KOLU / CONNECTION ROD		2
38	MTS-230 K/38	SEGMAN / PISTON RING	Ø 55	2
39	MTS-230 K/39	PISTON / PISTON		2
40	MTS-230 K/40	PERNO / PERNO	Ø 14 MM	2
41	MTS-230 K/41	SEGMAN / PISTON RING	Ø 14 MM	4
42	MTS-230 K/42	GÖMLEK / PISTON SLEEVE		2
43	MTS-230 K/43	MEMBRAN LASTİĞİ / MEMBRANE RUBBER		2
44	MTS-230 K/44	MEMBRAN PULU / MEMBRANE WASHER		2
45	MTS-230 K/45	MEMBRAN CİVATASI / MEMBRANE SCREW	Ø M10x20	2
46	MTS-230 K/46	SİBOP KAFESI / VALVE CAGE		4
47	MTS-230 K/47	SİBOP YAYI / VALVE SPRING		4
48	MTS-230 K/48	SİBOP PULU / VALVE WASHER		4
49	MTS-230 K/49	SİBOP KROMU / VALVE CHROMIUM		4
50	MTS-230 K/50	ORİNG / O-RING	Ø 24.99x3.53	4
51	MTS-230 K/51	MEMBRAN KAPAĞI / MEMBRANE COVER		2
52	MTS-230 K/52	PUL / RONDELA	Ø 12 MM	8
53	MTS-230 K/53	İMBUS CİVATA / SCREW	Ø 12x55	8
54	MTS-230 K/54	İMBUS CİVATA / SCREW	Ø M6x25	2
55	MTS-230 K/55	PUL / RONDELA	Ø 6 MM	2
56	MTS-230 K/56	YAĞDANLIK GÖVDESİ / OILCAN		1
57	MTS-230 K/57	ORİNG (KAPAK ORİNGİ) / O-RING		1
58	MTS-230 K/58	YAĞDANLIK KAPAĞI / OILCAN COVER		1
59	MTS-230 K/59	ORİNG / O-RING	Ø 015.00x2.00	1
60	MTS-230 K/60	VANA / VALVE	G 3/4"	3
61	MTS-230 K/61	KÖR TAPA / BLANKING TAP		1
62	MTS-230 K/62	ALT GÖVDE / INFRA CASE		1
63	MTS-230 K/63	ORİNG / O-RING	Ø 23.81x2.62	1
64	MTS-230 K/64	MANOMETRE / MANOMETER		1
65	MTS-230 K/65	İMBUS CİVATA / SCREW	Ø M8x30	2
66	MTS-230 K/66	ORİNG / O-RING	Ø 36.10x3.53	1
67	MTS-230 K/67	KROM BASKI PULU / CHROMIUM COMPRESSION WASHER		1
68	MTS-230 K/68	BASKI YAYI / COMPRESSION SPRING	Ø 3 CM	1
69	MTS-230 K/69	BASKI CONTASI / COMPRESSION GASKET		1
70	MTS-230 K/70	BASKI MİLİ / COMPRESSION MILL		1
71	MTS-230 K/71	CONTA / GASKET		1
72	MTS-230 K/72	BASKI PULU / COMPRESSION MILL		1
73	MTS-230 K/73	KOL YAYI / LEVER SPRING	Ø 4 CM	1
74	MTS-230 K/74	AYAR PULU / REGULATING WASHER		1
75	MTS-230 K/75	AYAR BASKI SOMUNU / COMPRESSION REGULATING NUT		1
76	MTS-230 K/76	REGÜLATÖR DIRSEĞİ / REGULATOR ELBOW		1
77	MTS-230 K/77	ORİNG / O-RING	Ø 16.00x2.50	1
78	MTS-230 K/78	REGÜLATÖR DIRSEK SOMUNU / REGULATOR NUT		1
79	MTS-230 K/79	ÜST GÖVDE / UPPER CASE		1
80	MTS-230 K/80	REGÜLATÖR AYAR KOLU / REGULATOR LEVER		1
81	MTS-230 K/81	KOL PİMİ / LEVER PİM		1
82	MTS-230 K/82	YARIKLİ PİM / SLOTTED PİM	Ø 6 MM	2
83	MTS-230 K/83	REGÜLATÖR ÇATALI / REGULATOR FORK		1
84	MTS-230 K/84	TÜP SİBOP KAPAĞI / AIR TUBE VALVE COVER		1

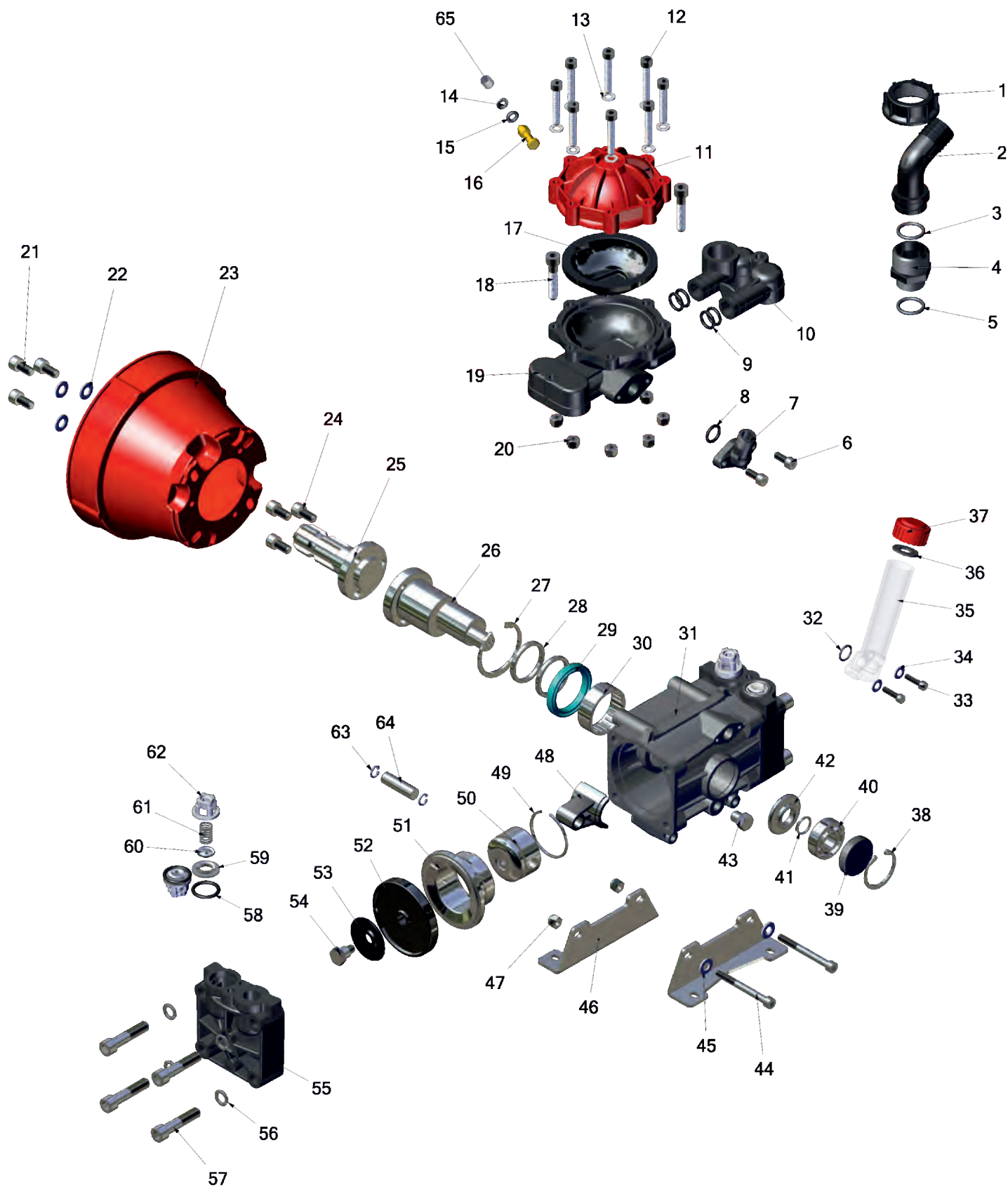
MTS-230 N



KOD/CODE	MTS-230 N
DEBİ (LT./DAK.) FLOW (LT./MIN.)	30
DEVİR (D./DAK.) SPEED (R.P.M)	540
GÜÇ (HP) POWER	2.7
PİSTON PISTON	2
BASINÇ (BAR) PRESSURE	35
YAĞ CİNSİ OIL TYPE	20W50
YAĞ KAPASİTESİ (LT.) OIL CAPACITY	0.50
ÖLÇÜLER (CM.) DIMENSIONS	30x25x34
AĞIRLIK (KG.) WEIGHT	11.15



MTS-230 N



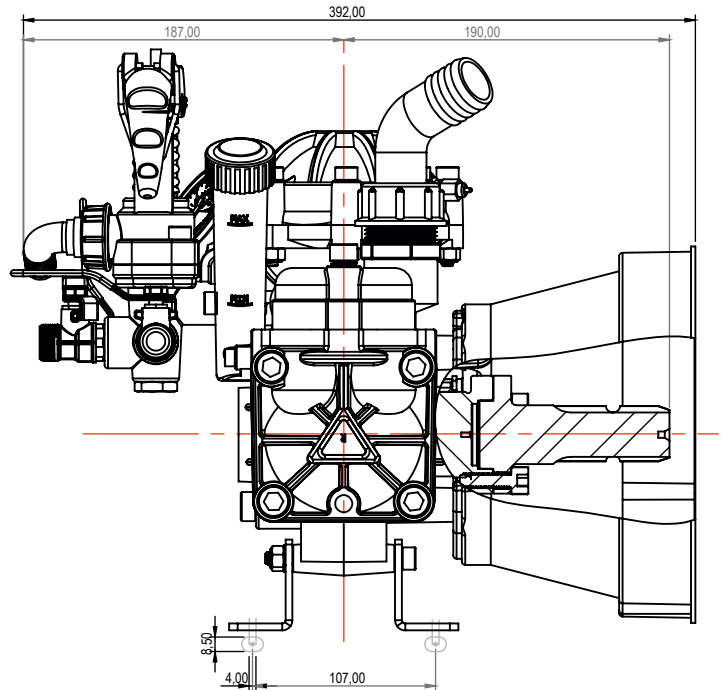
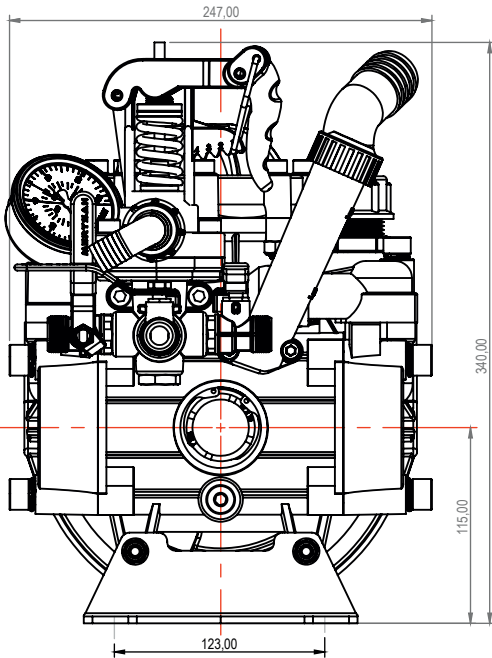
MTS-230 N

No	ÜRÜN KODU / PRODUCT CODE	AÇIKLAMA / DESCRIPTION	ÖLÇÜLER / DIMENSIONS	ADET / QTY
1	MTS-230 N/1	DIRSEK (SU GİRİŞİ) / SUCTION ELBOW TAIL NUT	Ø 32x32	1
2	MTS-230 N/2	DIRSEK SOMUNU (SU GİRİŞİ) / LOCK NUT	G1 1/4"	1
3	MTS-230 N/3	ORING / O-RING	Ø 027.00x4.00	1
4	MTS-230 N/4	NIPEL / NIPPLE		1
5	MTS-230 N/5	ORING / O-RING	Ø 024.99x3.53	1
6	MTS-230 N/6	İMBUS CİVATA / SCREW	Ø M8x25	2
7	MTS-230 N/7	ALÜMİNYUM DIRSEK / ALUMINIUM ELBOW		1
8	MTS-230 N/8	ORING / O-RING	Ø 23.81x2.62	1
9	MTS-230 N/9	ORING / O-RING	Ø 21.00x3.00	4
10	MTS-230 N/10	TÜP KAPAĞI / AIR TUBE COVER		1
11	MTS-230 N/11	HAVA TÜPÜ ÜST KAPAK / AIR TUBE UPPER ACCUMULATOR		1
12	MTS-230 N/12	İMBUS CİVATA / SCREW	Ø M8x45	8
13	MTS-230 N/13	PUL / RONDELA	Ø 8 MM	8
14	MTS-230 N/14	TIRTIKLI PUL / RONDELA	Ø 8 MM	1
15	MTS-230 N/15	ORING / O-RING	Ø 007.59 x 2.62	1
16	MTS-230 N/16	TÜP SİBOBU / AIR TUBE VALVE		1
17	MTS-230 N/17	HAVA TÜPÜ İÇ LASTİK / AIR TUBE INNER LASTIC		1
18	MTS-230 N/18	İMBUS CİVATA / SCREW	Ø M10x50	2
19	MTS-230 N/19	HAVA TÜPÜ ALT KAPAK / AIR TUBE INFRA ACCUMULATOR		1
20	MTS-230 N/20	FİBERLİ SOMUN / FIBER NUT	Ø 8 MM	8
21	MTS-230 N/21	İMBUS CİVATA / SCREW	Ø M10x20	3
22	MTS-230 N/22	PUL / RONDELA	Ø 10 MM	3
23	MTS-230 N/23	ŞAFT MUHAFAZASI / CARDAN PROTECTION		1
24	MTS-230 N/24	İMBUS CİVATA / SCREW	Ø M10x20	3
25	MTS-230 N/25	FREZELİ MIL / 6 HOLES THROUGH-SHAFT		1
26	MTS-230 N/26	KRANK / CRANK		1
27	MTS-230 N/27	SEGMAN / PISTON RING	Ø 47	1
28	MTS-230 N/28	BİLEZİK / RING	Ø 5x42 MM	2
29	MTS-230 N/29	KEÇE / SEAL	Ø 50x65x8	1
30	MTS-230 N/30	RULMAN / BEARING	5020	1
31	MTS-230 N/31	GÖVDE / CRANKCASE		1
32	MTS-230 N/32	ORING / O-RING	Ø 015.00x2.00	1
33	MTS-230 N/33	İMBUS CİVATA / SCREW	Ø M6x25	2
34	MTS-230 N/34	PUL / RONDELA	Ø 6 MM	2
35	MTS-230 N/35	YAĞDANLIK GÖVDESİ / OILCAN		1
36	MTS-230 N/36	ORING / O-RING		1
37	MTS-230 N/37	YAĞDANLIK KAPAĞI / OILCAN COVER		1
38	MTS-230 N/38	SEGMAN / PISTON RING	Ø 47	1
39	MTS-230 N/39	KEÇE / SEAL	Ø 47x8	1
40	MTS-230 N/40	RULMAN / BEARING	Ø 6204	1
41	MTS-230 N/41	SEGMAN / PISTON RING	Ø 18 MM	1
42	MTS-230 N/42	KRANK PULU / CRANK WASHER		1
43	MTS-230 N/43	YAG BOŞALTMA TAPASI / OIL OUTPUT TAP		1
44	MTS-230 N/44	İMBUS CİVATA / SCREW	Ø M8x80	2
45	MTS-230 N/45	PUL / RONDELA	Ø 8 MM	2
46	MTS-230 N/46	AYAK / PUMP MOUNTING STAND		2
47	MTS-230 N/47	FİBERLİ SOMUN / FIBER NUT	Ø 8 MM	2
48	MTS-230 N/48	BIYEL KOLU / CONNECTION ROD		2
49	MTS-230 N/49	SEGMAN / PISTON RING	Ø 56	2
50	MTS-230 N/50	PISTON / PISTON	Ø 56	2
51	MTS-230 N/51	GÖMLEK / PISTON SLEEVE		2
52	MTS-230 N/52	MEMBRAN LASTIĞI / MEMBRANE RUBBER		2
53	MTS-230 N/53	MEMBRAN PULU / MEMBRANE WASHER		2
54	MTS-230 N/54	MEMBRAN CİVATASI / MEMBRANE SCREW	Ø 10x20	2
55	MTS-230 N/55	MEMBRAN KAPAĞI / MEMBRANE COVER		2
56	MTS-230 N/56	PUL / RONDELA	Ø 12 MM	8
57	MTS-230 N/57	İMBUS CİVATA / SCREW	Ø M12x55	8
58	MTS-230 N/58	ORING / O-RING	Ø 24.99x3.53	4
59	MTS-230 N/59	SİBOP KROMU / VALVE CHROMIUM		4
60	MTS-230 N/60	SİBOP PULU / VALVE WASHER		4
61	MTS-230 N/61	SİBOP YAYI / VALVE SPRING		4
62	MTS-230 N/62	SİBOP KAFESİ / VALVE CAGE		4
63	MTS-230 N/63	SEGMAN / PISTON RING	Ø 14 MM	4
64	MTS-230 N/64	PERNO / PERNO	Ø 14 MM	2
65	MTS-230 N/65	TÜP SİBOP KAPAĞI / AIR TUBE VALVE COVER		1

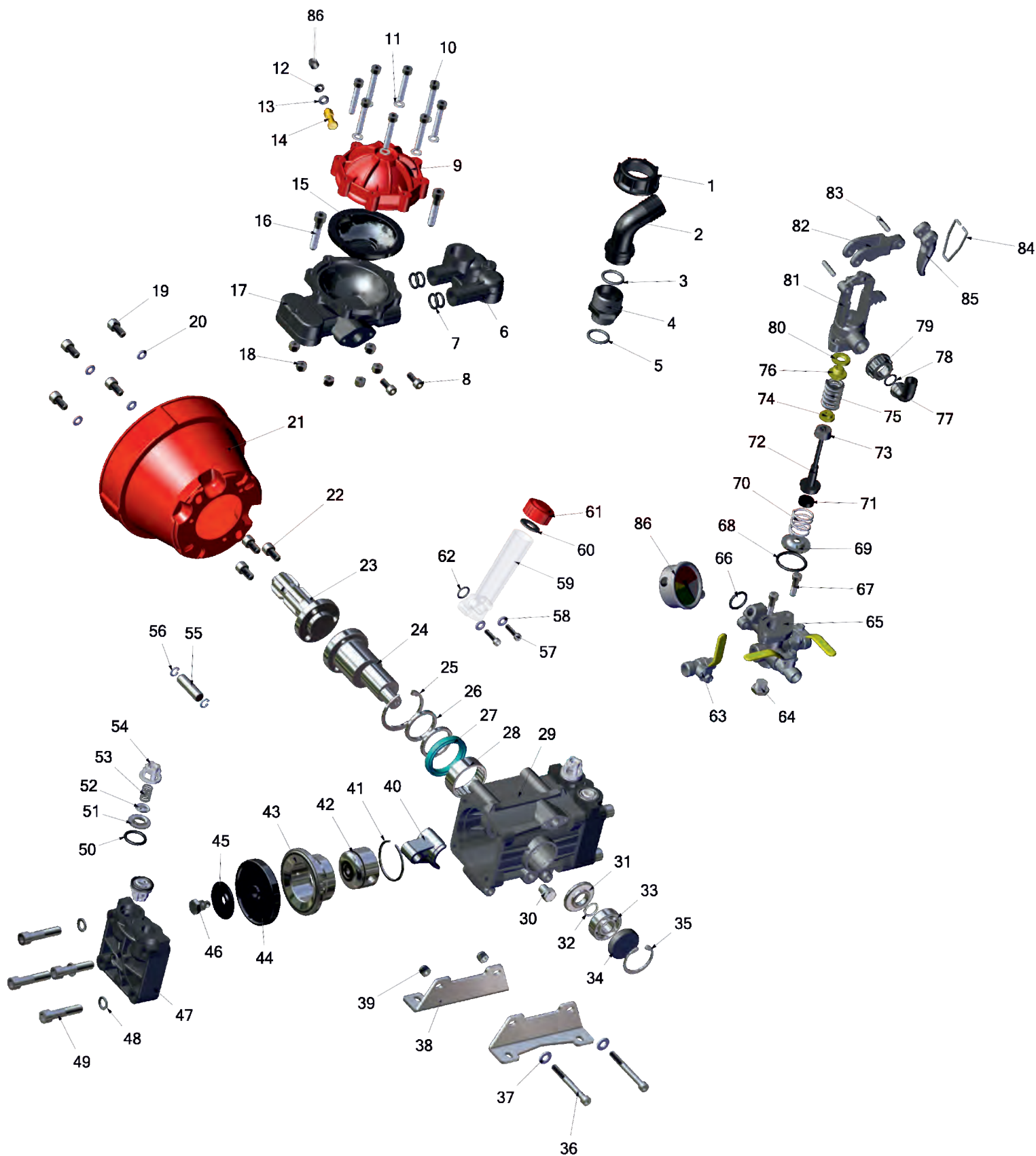
MTS-230 B



KOD/CODE	MTS-230 B
DEBİ (LT./DAK.) FLOW (LT./MIN.)	30
DEVİR (D./DAK.) SPEED (R.P.M)	540
GÜÇ (HP) POWER	2.7
PİSTON PISTON	2
BASINÇ (BAR) PRESSURE	35
YAĞ CİNSİ OIL TYPE	20W50
YAĞ KAPASİTESİ (LT.) OIL CAPACITY	0.50
ÖLÇÜLER (CM.) DIMENSIONS	39x25x34
AĞIRLIK (KG.) WEIGHT	12.5



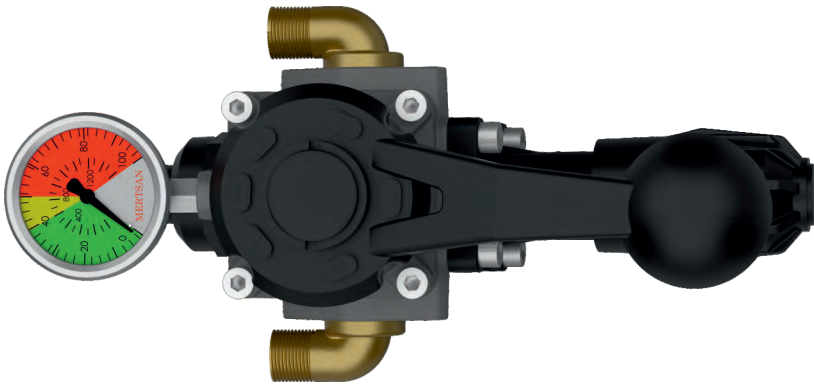
MTS-230 B



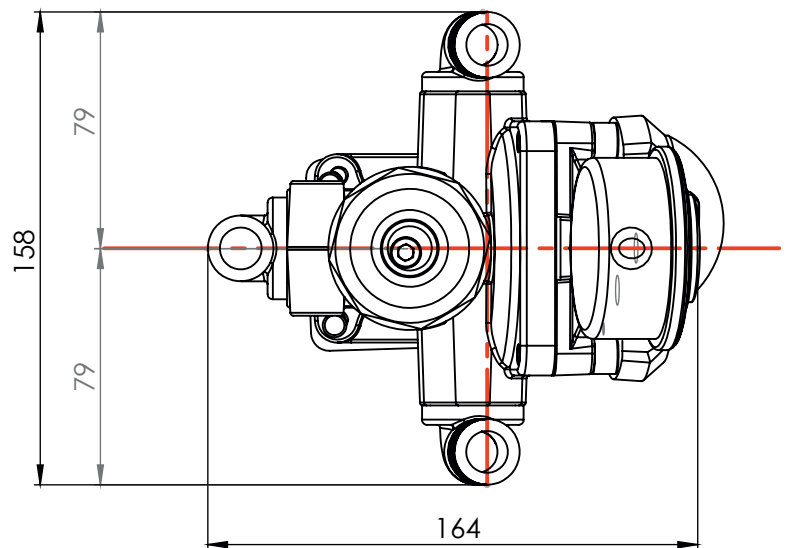
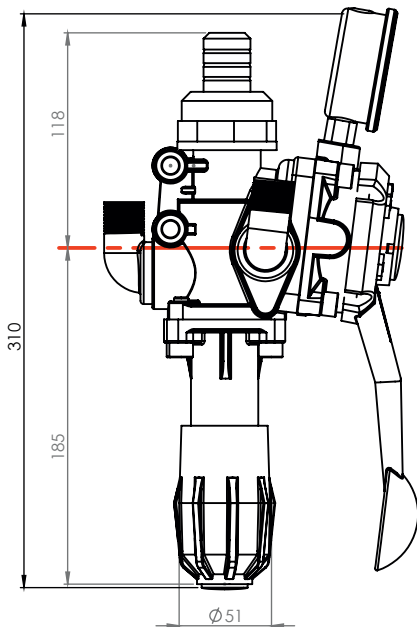
MTS-230 B

No	ÜRÜN KODU / PRODUCTS CODE	AÇIKLAMA / DESCRIPTION	ÖLÇÜLER / DIMENSIONS	ADET / QTY
1	MTS-230 B/1	DIRSEK (SU GİRİŞİ) / HOSETAIL FOR FLY NUT	Ø 32x32	1
2	MTS-230 B/2	SOMUN (SU GİRİŞİ) / SUCTION ELBOW TAIL	G 1 1/2"	1
3	MTS-230 B/3	ORING / O-RING	Ø 027.00x4.00	1
4	MTS-230 B/4	NIPEL / NIPPLE		1
5	MTS-230 B/5	ORING / O-RING	Ø 024.99x3.53	1
6	MTS-230 B/6	TÜP KAPAĞI (KISA MANIFOLD) / AIR TUBE COVER(SHORT MANIFOLD)		1
7	MTS-230 B/7	ORING / O-RING	Ø 021.00x3.00	4
8	MTS-230 B/8	İMBUS CIVATA / SCREW	Ø M8x25	2
9	MTS-230 B/9	HAVA TÜPÜ ÜST KAPAK / AIR TUBE UPPER ACCUMULATOR		1
10	MTS-230 B/10	İMBUS CIVATA / SCREW	Ø M8x45	8
11	MTS-230 B/11	PUL / RONDELA	Ø 8 MM	8
12	MTS-230 B/12	TIRTIKLI PUL / RONDELA	Ø 8 MM	1
13	MTS-230 B/13	ORING / O-RING	Ø 007.59x2.62	1
14	MTS-230 B/14	TÜP SİBOBU / AIR TUBE VALVE		1
15	MTS-230 B/15	HAVA TÜPÜ İÇ LASTİK / AIR TUBE INNER LASTIC		1
16	MTS-230 B/16	İMBUS CIVATA / SCREW	Ø M10x50	2
17	MTS-230 B/17	HAVA TÜPÜ ALT KAPAK / AIR TUBE INFRA ACCUMULATOR		1
18	MTS-230 B/18	FİBERLİ SOMUN / FIBER NUT	Ø 8 MM	8
19	MTS-230 B/19	İMBUS CIVATA / SCREW	Ø M10x20	4
20	MTS-230 B/20	PUL / RONDELA	Ø 20 MM	4
21	MTS-230 B/21	ŞAFT MUHAFAZA / CARDAN PROTECTION		1
22	MTS-230 B/22	İMBUS CIVATA / SCREW	Ø M10x20	3
23	MTS-230 B/23	FREZELİ MIL / 6 HOLES THROUGH-SHAFT		1
24	MTS-230 B/24	KRANK / CRANK		1
25	MTS-230 B/25	SEGMAN / PISTON RING	Ø 47	1
26	MTS-230 B/26	BİLEZİK / RING	Ø 5x42	2
27	MTS-230 B/27	KEÇE / SEAL	Ø 50x65x8	1
28	MTS-230 B/28	RULMAN / BEARING	Ø 5020	1
29	MTS-230 B/29	GÖVDE / CRANKCASE		1
30	MTS-230 B/30	YAĞ BOŞALTIMA TAPASI / OIL OUTPUT TAP		1
31	MTS-230 B/31	KRANK PULU / CRANK WASHER		1
32	MTS-230 B/32	SEGMAN / PISTON RING	Ø 18 MM	1
33	MTS-230 B/33	RULMAN / BEARING	Ø 6204	1
34	MTS-230 B/34	KEÇE / SEAL	Ø 47x8	1
35	MTS-230 B/35	SEGMAN / PISTON RING	Ø 47	1
36	MTS-230 B/36	İMBUS CIVATA / SCREW	Ø M8x80	2
37	MTS-230 B/37	PUL / RONDELA	Ø 8 MM	2
38	MTS-230 B/38	AYAK / PUMP MOUNTING STAND		2
39	MTS-230 B/39	SOMUN / LOCK NUT	Ø 8 MM	2
40	MTS-230 B/40	BİYEL KOLU / CONNECTION ROD		2
41	MTS-230 B/41	SEGMAN / PISTON RING	Ø 56	2
42	MTS-230 B/42	PISTON / PISTON	Ø 56	2
43	MTS-230 B/43	GÖMLEK / PISTON SLEEVE		2
44	MTS-230 B/44	MEMBRAN LASTIĞI / MEMBRANE RUBBER		2
45	MTS-230 B/45	MEMBRAN PULU / MEMBRANE WASHER		2
46	MTS-230 B/46	MEMBRAN CIVATASI / MEMBRANE SCREW	Ø M10x20	2
47	MTS-230 B/47	MEMBRAN KAPAĞI / MEMBRANE COVER		2
48	MTS-230 B/48	PUL / RONDELA	Ø 12 MM	8
49	MTS-230 B/49	İMBUS CIVATA / SCREW	Ø M12x55	8
50	MTS-230 B/50	ORING / O-RING	Ø 24.99x3.53	4
51	MTS-230 B/51	SİBOP KROMU / VALVE CHROMIUM		4
52	MTS-230 B/52	SİBOP PULU / VALVE WASHER		4
53	MTS-230 B/53	SİBOP YAYI / VALVE SPRING		4
54	MTS-230 B/54	SİBOP KAFESİ / VALVE CAGE		4
55	MTS-230 B/55	PERNO / PERNO	Ø 14 MM	2
56	MTS-230 B/56	SEGMAN / PISTON RING	Ø 14 MM	4
57	MTS-230 B/57	İMBUS CIVATA / SCREW	Ø M6x25	2
58	MTS-230 B/58	PUL / RONDELA	Ø 6 MM	2
59	MTS-230 B/59	YAĞDANLIK GÖVDESİ / OILCAN		1
60	MTS-230 B/60	ORING (KAPAK ORING) / O-RING		1
61	MTS-230 B/61	YAĞDANLIK KAPAĞI / OILCAN COVER		1
62	MTS-230 B/62	ORING / O-RING	Ø 15.00 x 2.00	1
63	MTS-230 B/63	VANA / VALVE	G 3/4"	3
64	MTS-230 B/64	KÖR TAPA / BLANKING TAP		1
65	MTS-230 B/65	HAVA TÜPÜ ALT GÖVDE / AIR TUBE INFRA ACCUMULATOR		1
66	MTS-230 B/66	ORING / O-RING	Ø 23.81x2.62	1
67	MTS-230 B/67	İMBUS CIVATA / SCREW	Ø 8x30	2
68	MTS-230 B/68	ORING / O-RING	Ø 36.10x3.53	1
69	MTS-230 B/69	KROM BASKI PULU / CHROMIUM COMPRESSION WASHER		1
70	MTS-230 B/70	BASKI YAYI / COMPRESSION SPRING	Ø 3 CM	1
71	MTS-230 B/71	BASKI CONTASI / COMPRESSION GASKET		1
72	MTS-230 B/72	BASKI MILİ / COMPRESSION MILL		1
73	MTS-230 B/73	CONTA / GASKET		1
74	MTS-230 B/74	BASKI PULU / COMPRESSION WASHER		1
75	MTS-230 B/75	KOL YAYI / LEVER SPRING	Ø 4 CM	1
76	MTS-230 B/76	BASKI AYAR PULU / COMPRESSION REGULATING WASHER		1
77	MTS-230 B/77	REGÜLATÖR DIRSEĞİ / REGULATOR ELBOW		1
78	MTS-230 B/78	ORING / O-RING	Ø 16.00x2.50	1
79	MTS-230 B/79	REGÜLATÖR DIRSEK SOMUNU / REGULATOR ELBOW NUT		1
80	MTS-230 B/80	AYAR BASKI SOMUNU / COMPRESSION REGULATING NUT		1
81	MTS-230 B/81	ÜST GÖVDE / UPPER CASE		1
82	MTS-230 B/82	REGÜLATÖR ÇATALI / REGULATOR'S FORK		1
83	MTS-230 B/83	YARIKLI PİM / SLOTTED PİM	Ø 6 MM	2
84	MTS-230 B/84	KOL PİMİ / LEVER PİM		1
85	MTS-230 B/85	REGÜLATÖR AYAR KOLU / REGULATOR REGULATING LEVER		1
86	MTS-230 B/86	MANOMETRE / MANOMETER		1
87	MTS-230 B/87	TÜP SİBOP KAPAĞI / AIR TUBE VALVE COVER		1

MTS-100 BY



KOD / CODE	MTS-100 BY
DEBİ (LT./DAK.) FLOW (LT./MIN.)	200
ÇIKIŞ OUTPUT	2
BASINÇ (BAR) PRESSURE	50



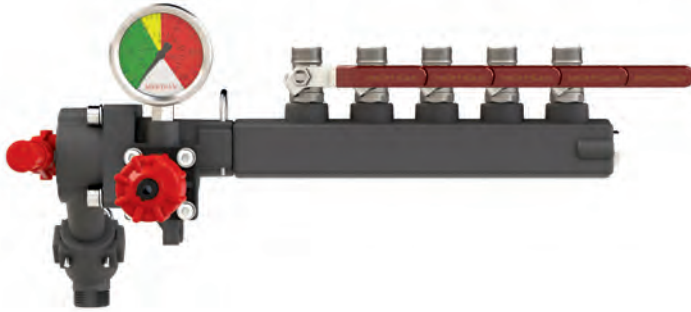
MTS-100 BY



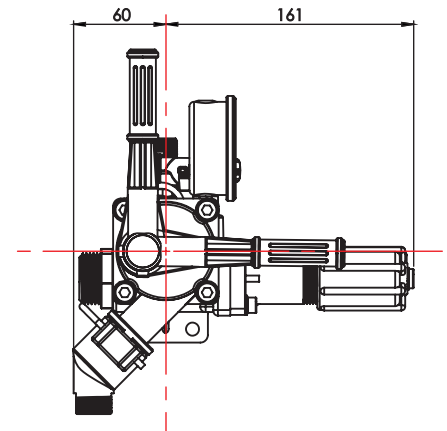
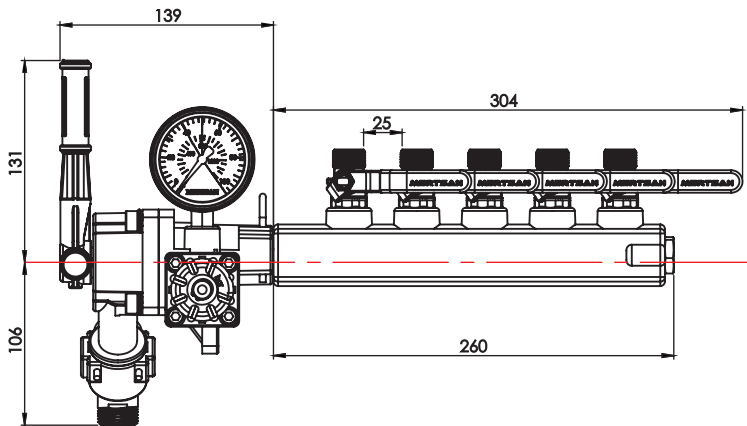
MTS-100 BY

No	ÜRÜN KODU / PRODUCTS CODE	AÇIKLAMA / DESCRIPTION	ÖLÇÜLER / DIMENSIONS	ADET / QTY
1	MTS-100 BY/1	İMBUS CİVATA / SCREW	ø 8x25	4
2	MTS-100 BY/2	TAPA /PLUG		1
3	MTS-100 BY/3	CİVATA / SCREW	ø 4x80	1
4	MTS-100 BY/4	İMBUS CİVATA / SCREW	ø 14x50	1
5	MTS-100 BY/5	BASINÇ AYAR SOMUNU / PRESSURE REGULATING NUT		1
6	MTS-100 BY/6	PUL / RONDELA	M12	1
7	MTS-100 BY/7	SOMUN / LOCK NUT	M39	1
8	MTS-100 BY/8	YAY PULU / SPRING WASHER	ø 24	1
9	MTS-100 BY/9	BASINÇ AYAR YAYI / PRESSURE REGULATING SPRING		1
10	MTS-100 BY/10	BASKI YAYI REKORU (ALT) / COMPRESSING CENTERING SPRING (INFRA)	ø 25	1
11	MTS-100 BY/11	YAY PULU / SPRING WASHER	ø 29	1
12	MTS-100 BY/12	YAY BASKI REKORU ÜST / SPRING COMPRESSION NIPPLE (UPPER)		1
13	MTS-100 BY/13	PASOLU BASINÇ GÖVDE / PASSED PRESSURE CASE		1
14	MTS-100 BY/14	MEMBRAN LASTİĞİ / MEMBRANNE RUBBER		1
15	MTS-100 BY/15	BASKI PULU / COMPRESSING WASHER		1
16	MTS-100 BY/16	İMBUS CİVATA / SCREW	ø 6X35	1
17	MTS-100 BY/17	GERİ DÖNÜŞ REKORU / HOSTAIL FOR FLY NUT		1
18	MTS-100 BY/18	NİPEL (SARI) / (BRASS) NIPPLE	G ¼"	3
19	MTS-100 BY/19	GÖVDE / CRANKCASE		1
20	MTS-100 BY/20	SOMUNLU REKOR / HOSETAIL FOR FLY NUT		1
21	MTS-100 BY/21	KÜÇÜK BİLYA TUTUCU / SMALL BALL HOLDER		3
22	MTS-100 BY/22	BİLYA / BALL		3
23	MTS-100 BY/23	BİLYA YAYI / BALL SPRING		3
24	MTS-100 BY/24	ÜST KAPAK / UPPER COVER		1
25	MTS-100 BY/25	MANOMETRE / MANOMETRE		1
26	MTS-100 BY/26	KOL CIRCİR YAYI / LEVER RATCHET SPRING	ø 10	1
27	MTS-100 BY/27	BİLYA / BALL	ø 10	1
28	MTS-100 BY/28	İMBUS CİVATA / SCREW	ø 8x20	4
29	MTS-100 BY/29	ORİNG / O-RING	ø 28	2
30	MTS-100 BY/30	KRANK / CRANK		1
31	MTS-100 BY/31	SOMUN / LOCK NUT		1
32	MTS-100 BY/32	PUL / RONDELA		1
33	MTS-100 BY/33	BASINÇ UZUN VİDA / PRESSURE LONG SCREW	ø 8x20	1
34	MTS-100 BY/34	BASINÇ YÖN KOLU / PRESSURE REGULATING LEVER		1
35	MTS-100 BY/35	TAPA / PLUG		1

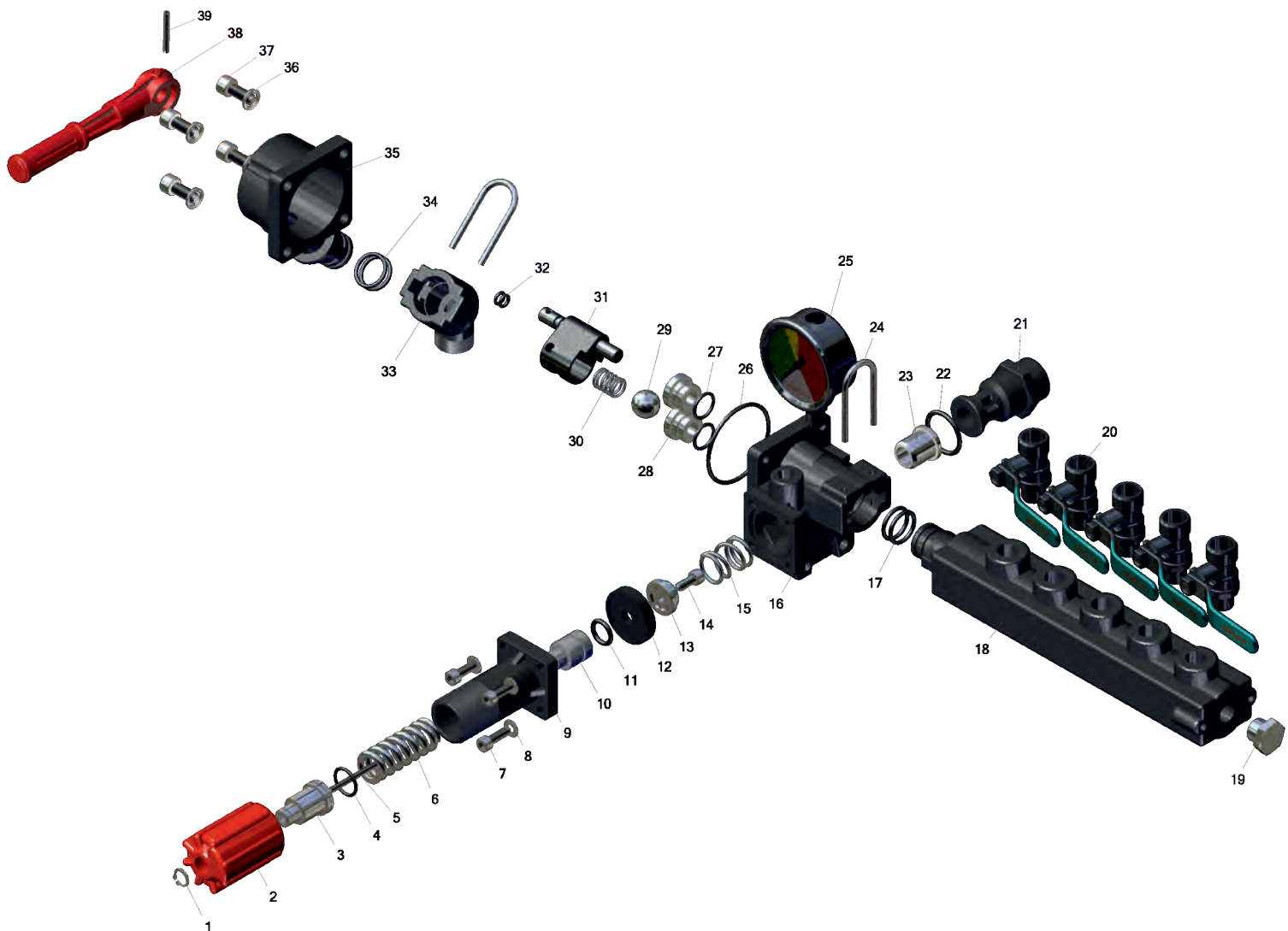
MTS-50 R5



KOD / CODE	MTS-50 R5
DEBİ (LT./DAK.) FLOW (LT./MIN.)	150
ÇIKIŞ OUTPUT	5
BASINÇ (BAR) PRESSURE	50



MTS-50 R5



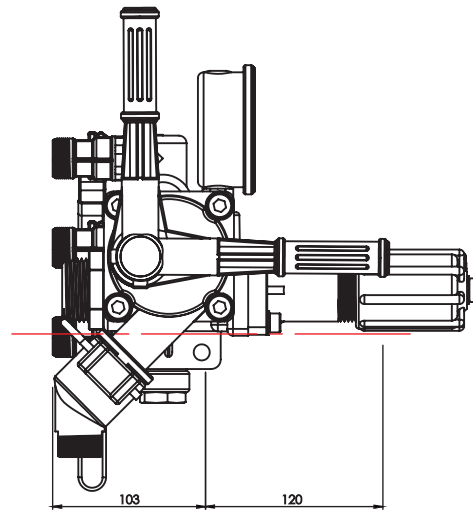
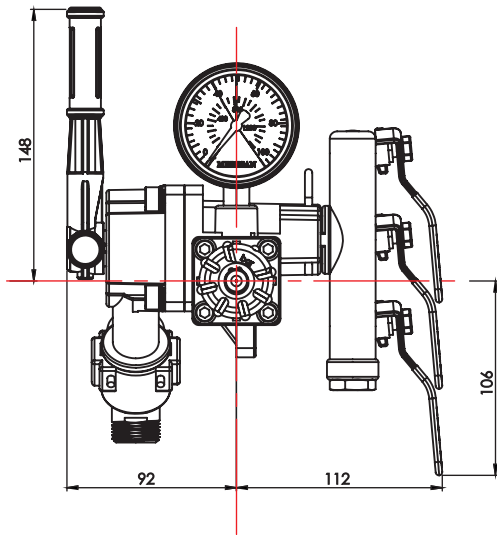
MTS-50 R5

No	ÜRÜN KODU / PRODUCTS CODE	AÇIKLAMA / DESCRIPTION	ÖLÇÜLER / DIMENSIONS	ADET / QTY
1	MTS-50R 5/1	SEGMAN / PISTON RING	Ø 12	1
2	MTS-50R 5/2	BASINÇ AYAR SOMUNU / PRESSURE REGULATING LEVER		1
3	MTS-50R 5/3	BASINÇ YAYI REKORU (ÜST) / PRESSURE SPRING UNION (UPPER)		1
4	MTS-50R 5/4	ORİNG / O-RING	Ø 15x2	1
5	MTS-50R 5/5	BASINÇ UZUN VİDA / PRESSURE LONG SCREW		1
6	MTS-50R 5/6	BASINÇ AYAR YAYI / PRESSURE REGULATING SPRING	Ø 6 CM	1
7	MTS-50R 5/7	İMBUS CİVATA / SCREW	Ø M6x20	4
8	MTS-50R 5/8	PUL / RONDELA	Ø 6 MM	4
9	MTS-50R 5/9	PLASTİK GÖVDE / PLASTIC CRANKCASE		1
10	MTS-50R 5/10	BASKI YAYI REKORU (ALT) / COMPRESSING CENTERING SPRING (INFRA)		1
11	MTS-50R 5/11	ORİNG / O-RING	Ø15x2	1
12	MTS-50R 5/12	MEMBRAN LASTİĞİ / MEMBRANE RUBBER		1
13	MTS-50R 5/13	BASKI PULU / COMPRESSING WASHER		1
14	MTS-50R 5/14	İMBUS CİVATA / SCREW	Ø M6x25	1
15	MTS-50R 5/15	BASKI YAYI / COMPRESSING SPRING	Ø 3 CM	1
16	MTS-50R 5/16	GÖVDE / CRANKCASE		1
17	MTS-50R 5/17	ORİNG / O-RING	Ø 20.64x29	2
18	MTS-50R 5/18	5 Lİ ALÜMİNYUM DAĞITICI / 5 ALUMINIUM DISTRIBUTER		1
19	MTS-50R 5/19	TAPA / MALE PLUG	G 3/8"	1
20	MTS-50R 5/20	KELEBEK VANA / BALL VALVE	G 3/8"	5
21	MTS-50R 5/21	DELİKLİ MAKARA / PERFORATED REEL	Ø 36	1
22	MTS-50R 5/22	ORİNG / O-RING	Ø 16x2	1
23	MTS-50R 5/23	KROM GERİ DÖNÜŞ REKORU / CHROMIUM RETURN NIPPLE		1
24	MTS-50R 5/24	"U" PİM / "U" PIM		2
25	MTS-50R 5/25	MANOMETRE / MANOMETER		1
26	MTS-50R 5/26	ORİNG / O-RING	Ø 53x2.5	1
27	MTS-50R 5/27	ORİNG / O-RING	Ø 15x2	2
28	MTS-50R 5/28	KROM YÖN VERİCİ / CHROMIUM COLLIMATOR		2
29	MTS-50R 5/29	KROM BİLYA / CHROMIUM BALL		1
30	MTS-50R 5/30	BİLYA YAYI / BALL SPRING	Ø 2 CM	1
31	MTS-50R 5/31	TAŞIYICI KRANK / CARRIER CRANK		1
32	MTS-50R 5/32	ORİNG / O-RING	Ø 6x2	2
33	MTS-50R 5/33	ALÜMİNYUM DİRSEK / ALUMINIUM ELBOW		1
34	MTS-50R 5/34	ORİNG / O-RING	Ø 20.29x2.62	2
35	MTS-50R 5/35	ALÜMİNYUM DİRSEK GÖVDESİ / ALUMINIUM ELBOW CASE		1
36	MTS-50R 5/36	PUL / RONDELA	Ø 8 MM	4
37	MTS-50R 5/37	İMBUS CİVATA / SCREW	Ø M8x20	4
38	MTS-50R 5/38	AÇMA KAPAMA KOLU / ON/OFF HANDLE		1
39	MTS-50R 5/39	YARIKLİ PİM / SLOTTED PIM	Ø 6 MM	1

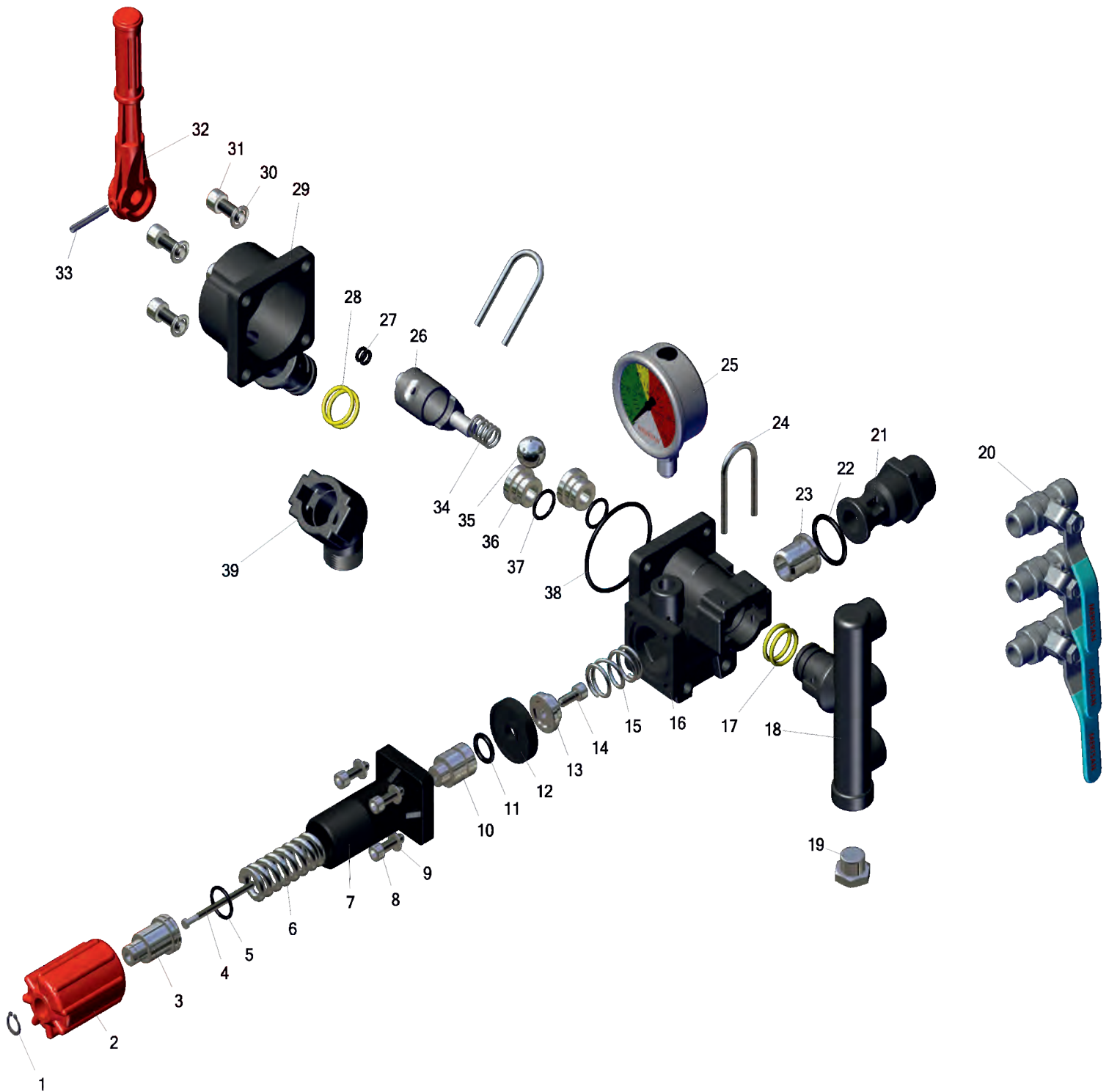
MTS-50 R3



KOD / CODE	MTS-50 R3
DEBİ (LT./DAK.) FLOW (LT./MIN.)	150
ÇIKIŞ OUTPUT	3
BASINÇ (BAR) PRESSURE	50



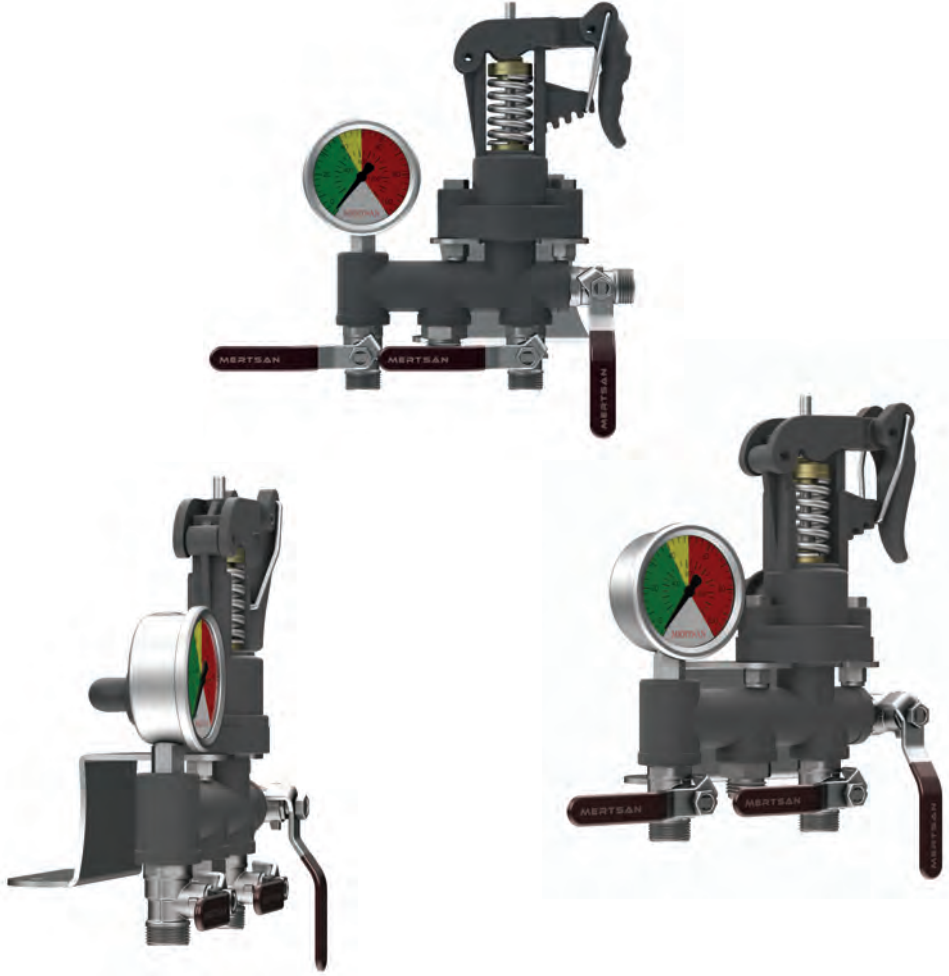
MTS-50 R3



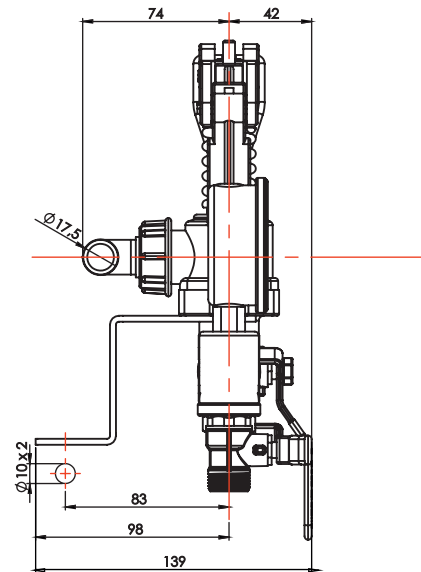
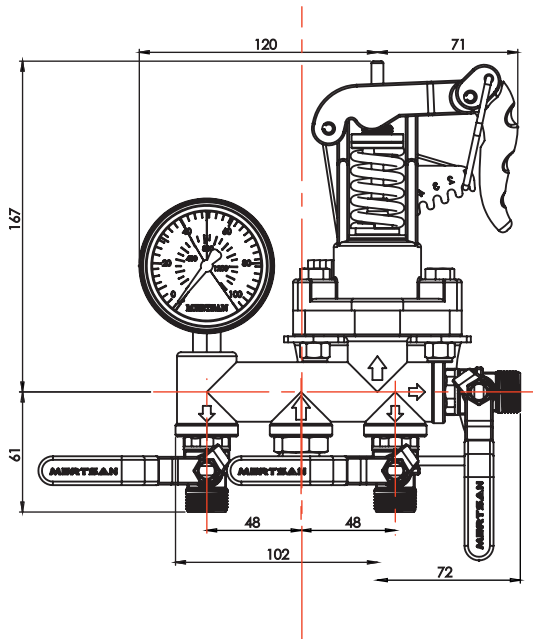
MTS-50 R3

№	ÜRÜN KODU / PRODUCT CODE	AÇIKLAMA / DESCRIPTION	ÖLÇÜLER / DIMENSIONS	ADET / QTY
1	MTS-50R 3/1	SEGMAN / PISTON RING	Ø 12	1
2	MTS-50R 3/2	BASINÇ AYAR SOMUNU / PRESSURE REGULATING LEVER		1
3	MTS-50R 3/3	BASINÇ YAYI REKORU / PRESSURE SPRING UNION		1
4	MTS-50R 3/4	BASINÇ UZUN VİDA / PRESSURE LONG SCREW		1
5	MTS-50R 3/5	ORİNG / O-RING	Ø 15x2	1
6	MTS-50R 3/6	BASINÇ AYAR YAYI / PRESSURE REGULATING SPRING	Ø 6 CM	1
7	MTS-50R 3/7	PLASTİK GÖVDE / PLASTIC CRANKCASE		1
8	MTS-50R 3/8	İMBUS CİVATA / SCREW	Ø M6x20	4
9	MTS-50R 3/9	PUL / RONDELA	Ø 6 MM	4
10	MTS-50R 3/10	BASKI YAYI ORTALAYICI / COMPRESSING CENTERING SPRING		1
11	MTS-50R 3/11	ORİNG / O-RING	Ø 15x2	1
12	MTS-50R 3/12	MEMBRAN LASTİĞİ / MEMBRANE RUBBER		1
13	MTS-50R 3/13	BASKI PULU / COMPRESSING WASHER		1
14	MTS-50R 3/14	İMBUS CİVATA / SCREW	Ø M6x25	1
15	MTS-50R 3/15	BASKI YAYI / COMPRESSING SPRING	Ø 3 CM	1
16	MTS-50R 3/16	GÖVDE / CRANKCASE		1
17	MTS-50R 3/17	ORİNG / O-RING	Ø 20.64x29	2
18	MTS-50R 3/18	3 LÜ ALÜMİNYUM DAĞITICI / TRIPLE ALUMINIUM DISTRIBUTER		1
19	MTS-50R 3/19	TAPA / MALE PLUG	G 3/8"	1
20	MTS-50R 3/20	VANA / VALVE	G 3/8"	3
21	MTS-50R 3/21	DELİKLİ MAKARA / PERFORATED REEL	Ø 36	1
22	MTS-50R 3/22	ORİNG / O-RING	Ø 16x2	1
23	MTS-50R 3/23	KROM GERİ DÖNÜŞ REKORU / CHROMIUM RETURN NIPPLE		1
24	MTS-50R 3/24	"U" PİM / "U" PIM		2
25	MTS-50R 3/25	MANOMETRE / MANOMETER		1
26	MTS-50R 3/26	TAŞIYICI KRANK / CARRIER CRANK		1
27	MTS-50R 3/27	ORİNG / O-RING	Ø 6x2	2
28	MTS-50R 3/28	ORİNG / O-RING	Ø 20.29x2.62	2
29	MTS-50R 3/29	ALÜMİNYUM DİRSEK GÖVDESİ / ALUMINIUM ELBOW CASE		1
30	MTS-50R 3/30	PUL / RONDELA	Ø 8 MM	4
31	MTS-50R 3/31	İMBUS CİVATA / SCREW	Ø M8x20	4
32	MTS-50R 3/32	AÇMA KAPAMA KOLU / ON/OFF HANDLE		1
33	MTS-50R 3/33	YARIKLİ PİM / SLOTTED PIM	Ø 6 MM	1
34	MTS-50R 3/34	BİLYA YAYI / BALL SPRING	Ø 2 CM	1
35	MTS-50R 3/35	KROM BİLYA / CHROMIUM BALL		1
36	MTS-50R 3/36	KROM YÖN VERİCİ / CHROMIUM DIRECTION TRANSMITTER		2
37	MTS-50R 3/37	ORİNG / O-RING	Ø 15x2	2
38	MTS-50R 3/38	ORİNG / O-RING	Ø 53x2.5	1
39	MTS-50R 3/39	ALÜMİNYUM DİRSEK / ALUMINIUM ELBOW		1

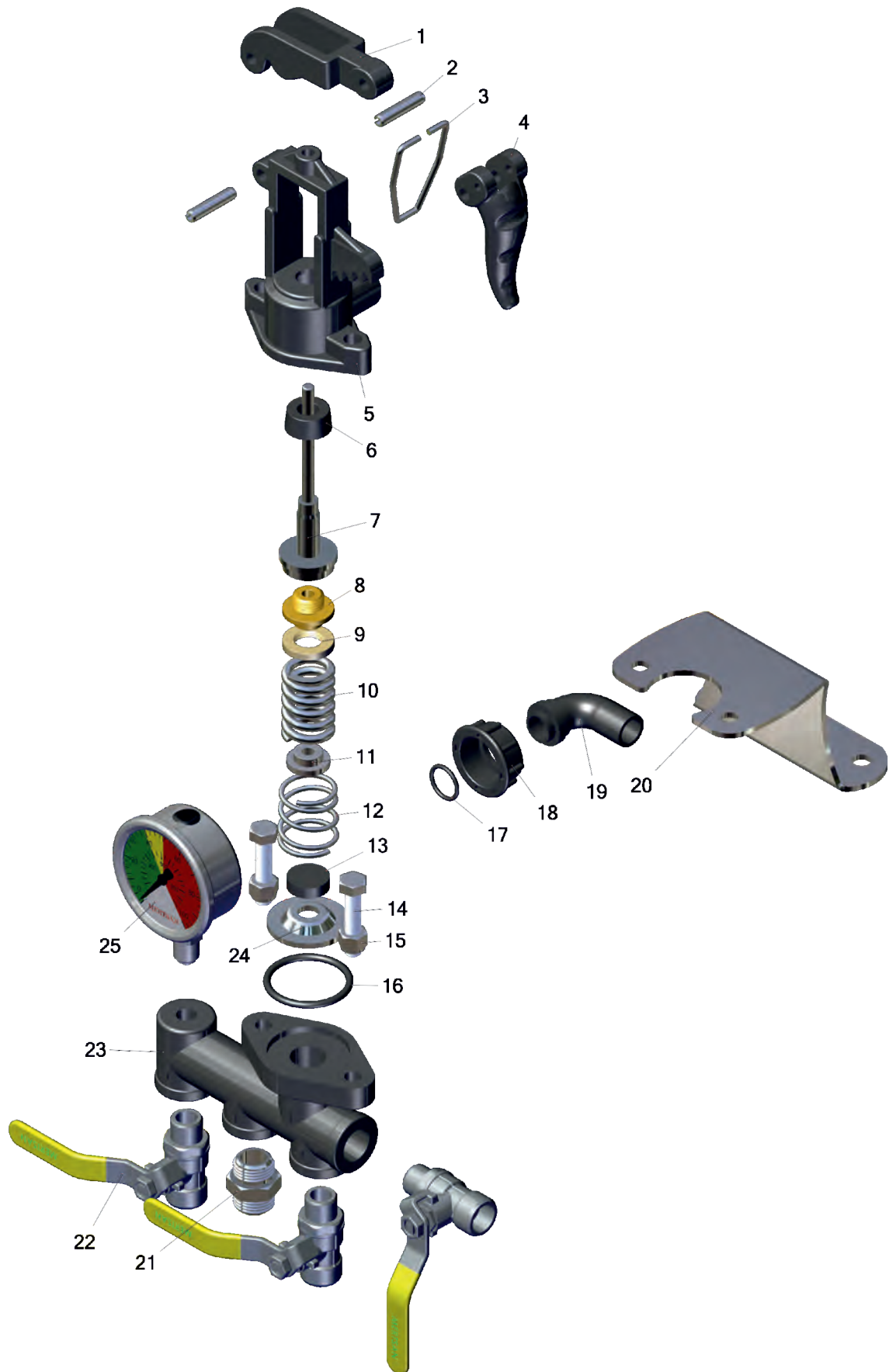
MTS-401 R



KOD/CODE	MTS-401 R
DEBİ (LT./DAK.) FLOW (LT./MIN.)	80
ÇIKIŞ OUTPUT	3
BASINÇ (BAR) PRESSURE	45



MTS-401 R



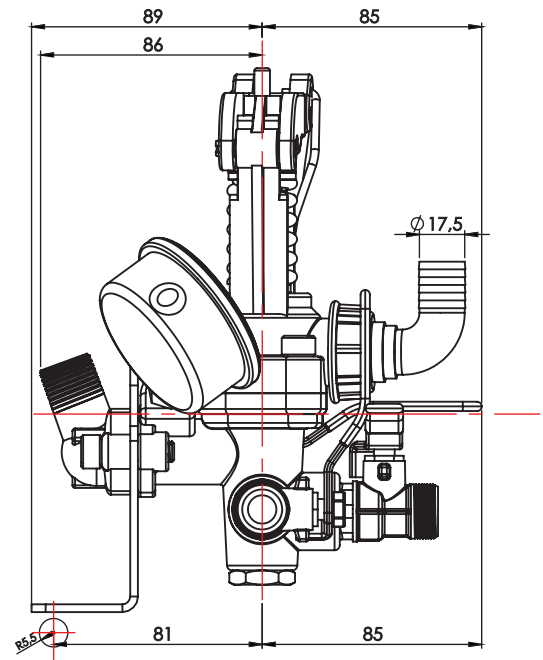
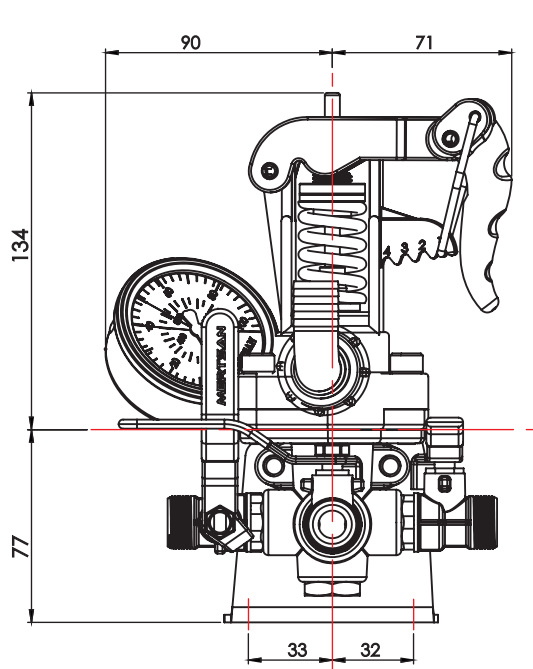
MTS-401 R

№	ÜRÜN KODU / PRODUCTS CODE	AÇIKLAMA / DESCRIPTION	ÖLÇÜLER / DIMENSIONS	ADET / QTY
1	MTS-401 R/1	REGÜLATÖR ÇATALI / REGULATOR'S FORK		1
2	MTS-401 R/2	YARIKLI PİM / SLOTTED PIM	Ø 6 MM	2
3	MTS-401 R/3	KOL PİMİ / LEVER PIM		1
4	MTS-401 R/4	REGÜLATÖR KOLU / REGULATOR HANDLE		1
5	MTS-401 R/5	ÜST GÖVDE / UPPER CASE		1
6	MTS-401 R/6	CONTA / GASKET		1
7	MTS-401 R/7	BASKI MİLİ / COMPRESSION MILL		1
8	MTS-401 R/8	AYAR PULU / REGULATING WASHER		1
9	MTS-401 R/9	AYAR BASKI SOMUNU / REGULATING COMPRESION NUT		1
10	MTS-401 R/10	KOL YAYI / HANDLE SPRING	Ø 4 CM	1
11	MTS-401 R/11	BASKI PULU / COMPRESSION WASHER		1
12	MTS-401 R/12	BASKI YAYI / COMPRESSION SPRING	Ø 3 CM	1
13	MTS-401 R/13	BASKI CONTASI / COMPRESSION GASKET		1
14	MTS-401 R/14	İMBUS CİVATA / SCREW	Ø M8x30	2
15	MTS-401 R/15	SOMUN / LOCK NUT	Ø 8 MM	2
16	MTS-401 R/16	ORİNG / O-RING	Ø 3.53x36.10	1
17	MTS-401 R/17	ORİNG / O-RING	Ø 2x16	1
18	MTS-401 R/18	REGÜLATÖR SOMUNU / REGULATOR NUT		1
19	MTS-401 R/19	REGÜLATÖR DİRSEĞİ / REGULATOR ELBOW		1
20	MTS-401 R/20	BAĞLANTI AYAĞI / REGULATOR MOUNTING STAND		1
21	MTS-401 R/21	NİPEL / NIPPLE	G ½"	1
22	MTS-401 R/22	VANA / VALVE	G ¾"	3
23	MTS-401 R/23	ALT GÖVDE / INFRA CASE		1
24	MTS-401 R/24	KROM BASKI PUL / CHROMIUM COMPRESSION WASHER		1
25	MTS-401 R/25	MANOMETRE / MANOMETER		1

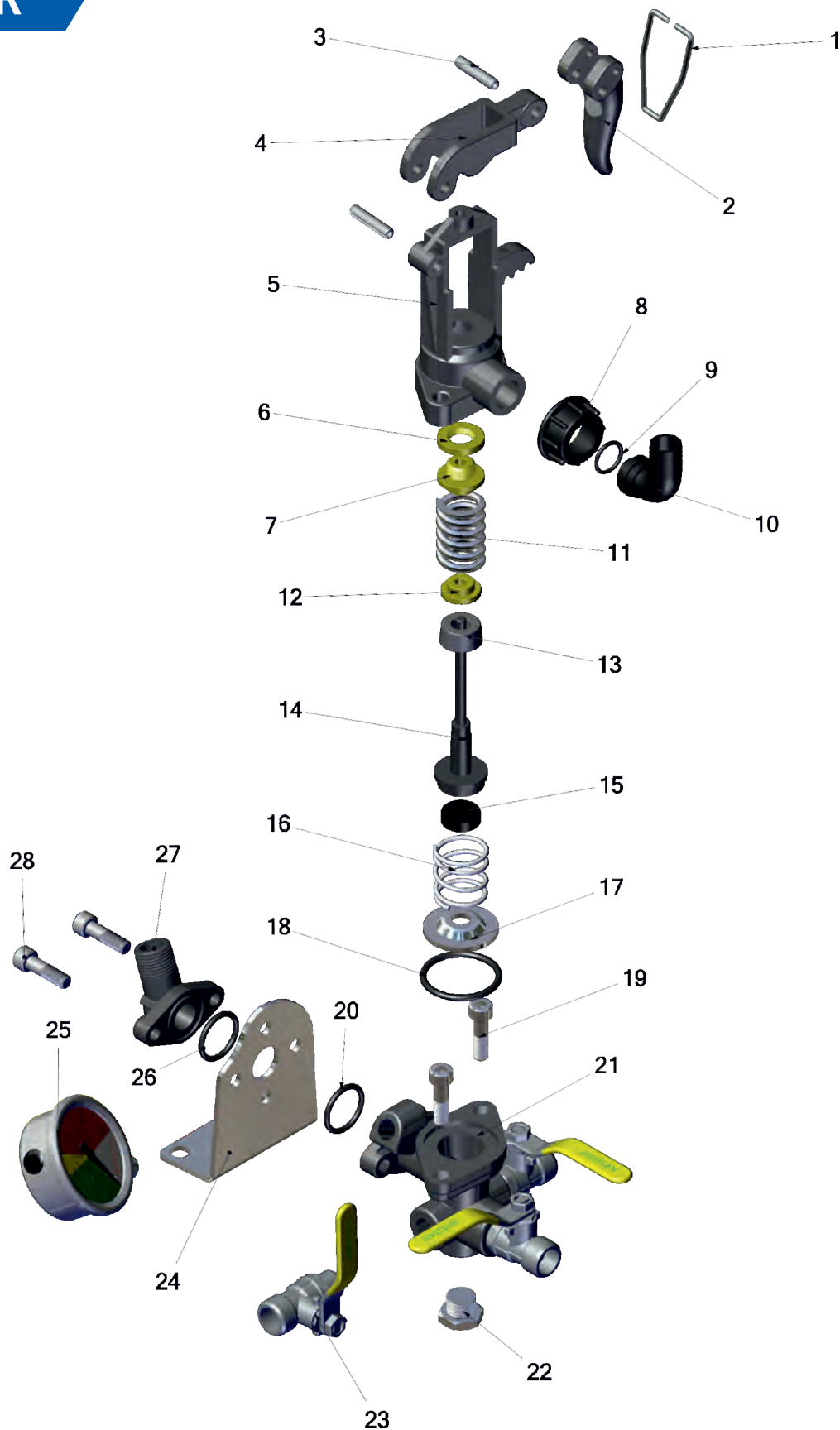
MTS-301 R



KOD / CODE	MTS-301 R
DEBİ (LT./DAK.) FLOW (LT./MIN.)	80
ÇIKIŞ OUTPUT	3
BASINÇ (BAR) PRESSURE	45



MTS-301 R

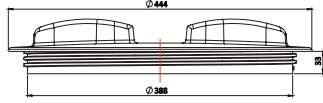


MTS-301 R

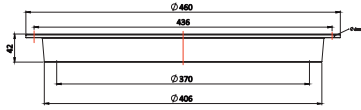
No	ÜRÜN KODU / PRODUCTS CODE	AÇIKLAMA / DESCRIPTION	ÖLÇÜLER / DIMENSIONS	ADET / QTY
1	MTS-301 R/1	KOL PİMİ / LEVER PIM		1
2	MTS-301 R/2	REGÜLATÖR KOLU / REGULATOR PIM		1
3	MTS-301 R/3	YARIKLI PİM / SLOTTED PIM	Ø 6 MM	2
4	MTS-301 R/4	REGÜLATÖR ÇATALI / REGULATOR'S FORK		1
5	MTS-301 R/5	ÜST GÖVDE / UPPER CASE		1
6	MTS-301 R/6	AYAR BASKI SOMUNU / COMPRESSION REGULATING NUT		1
7	MTS-301 R/7	AYAR PULU / REGULATING WASHER		1
8	MTS-301 R/8	REGÜLATÖR SOMUNU / REGULATING NUT		1
9	MTS-301 R/9	ORİNG / O-RING	Ø 2x16	1
10	MTS-301 R/10	REGÜLATÖR DİRSEĞİ / REGULATING ELBOW		1
11	MTS-301 R/11	KOL YAYI / HANDLE SPRING	Ø 4 CM	1
12	MTS-301 R/12	BASKI PULU / COMPRESSION WASHER		1
13	MTS-301 R/13	CONTA / GASKET		1
14	MTS-301 R/14	BASKI MİLİ / COMPRESSION MILL		1
15	MTS-301 R/15	BASKI CONTASI / COMPRESSION GASKET		1
16	MTS-301 R/16	BASKI YAYI / COMPRESSION SPRING	Ø 3 CM	1
17	MTS-301 R/17	KROM BASKI PUL / CHROMIUM COMPRESSION WASHER		1
18	MTS-301 R/18	ORİNG / O-RING	Ø 3.53x36.10	1
19	MTS-301 R/19	İMBUS CİVATA / SCREW	Ø M8x30	2
20	MTS-301 R/20	ORİNG / O-RING	Ø 23.81x2.62	1
21	MTS-301 R/21	ALT GÖVDE / INFRA CASE		1
22	MTS-301 R/22	KÖR TAPA / BLANKING TAP		1
23	MTS-301 R/23	VANA / VALVE	G 3/8"	3
24	MTS-301 R/24	BAGLANTI AYAĞI / REGULATOR MOUNTING STAND		1
25	MTS-301 R/25	MANOMETRE / MANOMETER		1
26	MTS-301 R/26	ORİNG / O-RING	Ø 15x2	1
27	MTS-301 R/27	ALÜMİNYUM DİRSEK / ALUMINIUM ELBOW		1
28	MTS-301 R/28	İMBUS CİVATA / SCREW	Ø M8x45	2

DEPO KAPAK TAKIMI

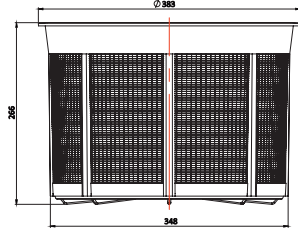
TANK LIDS KIT



KOD/CODE **10101**



KOD/CODE **10102**



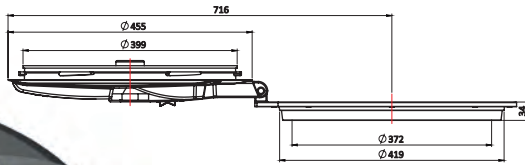
KOD/CODE **10103**

KOD/CODE

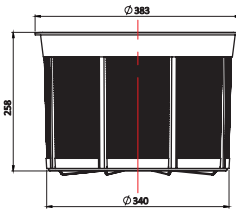
10100

MENTEŞELİ DEPO KAPAK TAKIMI

TANK LIDS KIT WITH LOCK



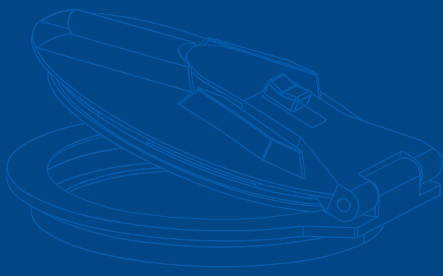
KOD/CODE **10201**



KOD/CODE **10103**

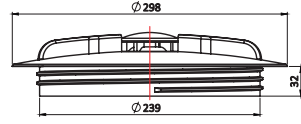
KOD/CODE

10200

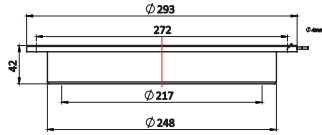


DEPO KAPAK TAKIMI

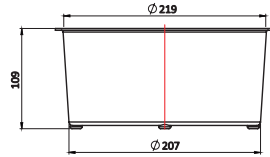
TANK LIDS KIT



KOD/CODE 10301



KOD/CODE 10302



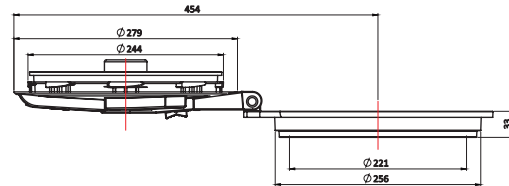
KOD/CODE 10303

KOD/CODE

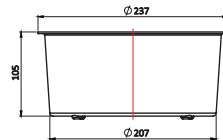
10300

MENTEŞELİ DEPO KAPAK TAKIMI

TANK LIDS KIT WITH LOCK



KOD/CODE 10401



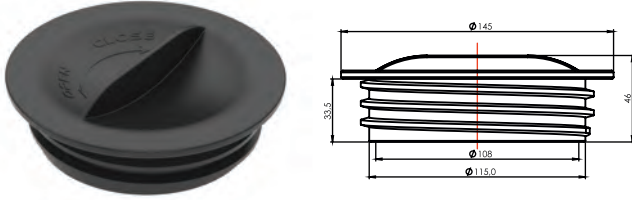
KOD/CODE 10303

KOD/CODE

10400

TEMİZ SU KAPAĞI (PASOLU)

PASSED CLEAN TANKS COVER

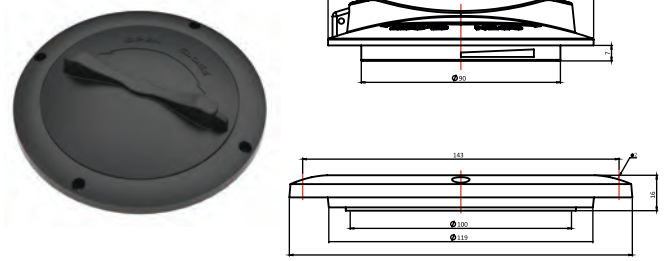


KOD/CODE

10500

TEMİZ SU KAPAĞI (KİLİTLİ)

LOCKED CLEAN TANKS COVER

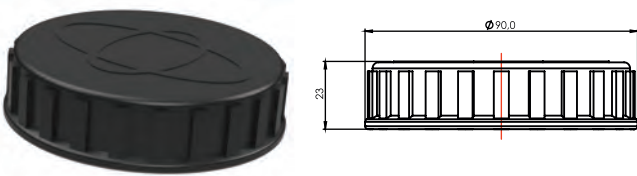


KOD/CODE

10600

TEMİZ SU KAPAĞI

CLOSED LID (Ø 9 CM.)

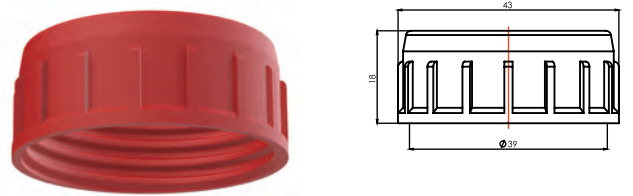


KOD/CODE

10700

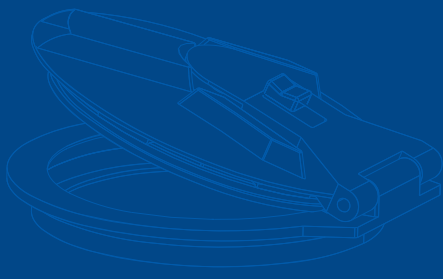
EL YIKAMA TANK KAPAĞI

HAND-WASHING TANK LIDS



KOD/CODE

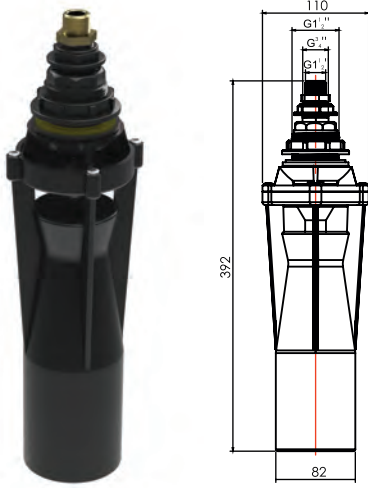
10750



AK PARÇALAR
SPARE PARTS
AK PARÇALAR
SPARE PARTS
AK PARÇALAR
SPARE PARTS

KARIŞTIRICI

AGIGATOR



KOD/CODE

10800

ALÜMİNYUM KARIŞTIRICI

ALUMINIUM AGIGATOR

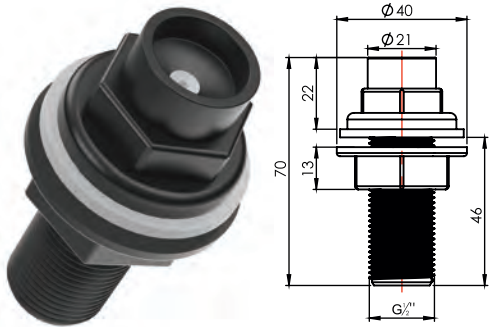


KOD/CODE

10900

MİNİ KARIŞTIRICI

MINI AGIGATOR

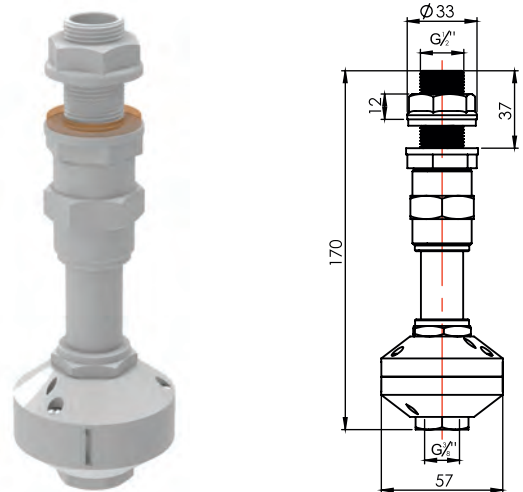


KOD/CODE

11000

DEPO YIKAMA FİSKİYESİ

TANK RINSING JET

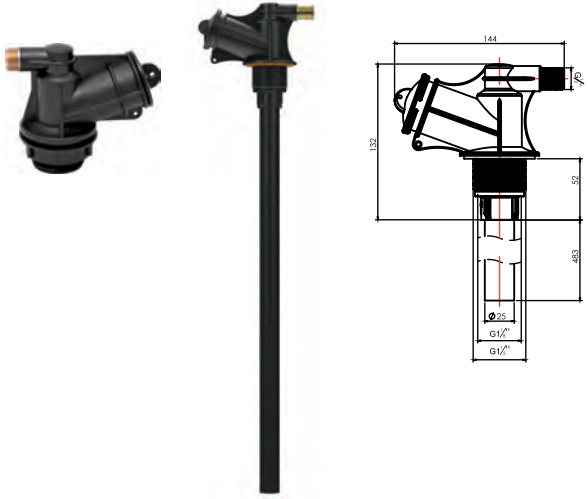


KOD/CODE

11400

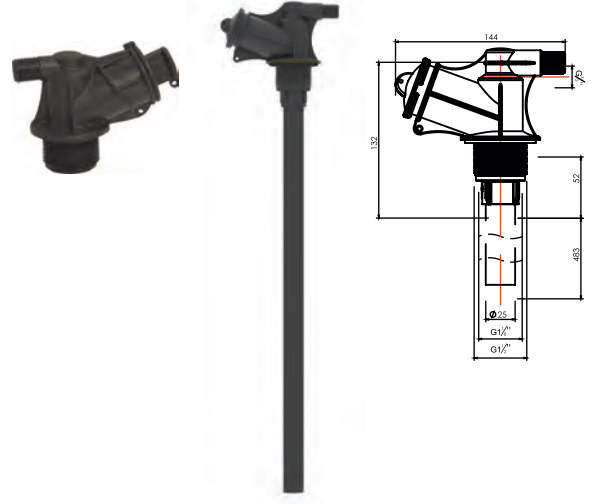
DOLDURUCU TAKIMI (METAL)

EJECTOR WITH SUCTION FITTING (METAL)



DOLDURUCU TAKIMI

EJECTOR WITH SUCTION FITTING



KOD/CODE

11100

KOD/CODE

11200

DOLDURUCU REKORU (Ø 32)

FILLING HOSETAIL (Ø 32)

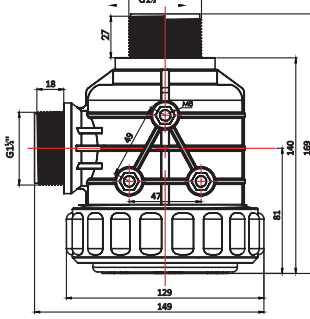


KOD/CODE

11300

120 LT. DÜZ FİLTRE

120 LT. FILTER

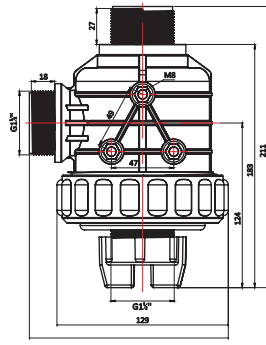


KOD/CODE

20010

120 LT.ÇEK VALFLİ FİLTRE

120 LT. SUCTION FILTER

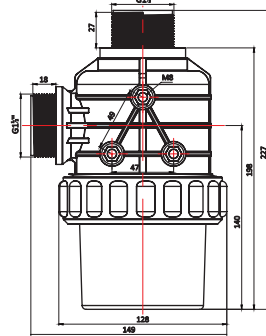


KOD/CODE

20020

160 LT. DÜZ FİLTRE

160 LT. FILTER



KOD/CODE

20030



FİLTRE ANAHTARI

FILTER KEY

KOD/CODE **20011**

SOMUNLU DİRSEK (Ø 32x37)

HOSETAIL FOR FLY NUT (Ø 32x37)

KOD/CODE **30750**

SÜZGEÇ

CARTRIDGE

KOD/CODE **20013**



FİLTRE ANAHTARI

FILTER KEY

KOD/CODE **20011**

SOMUNLU DİRSEK (Ø 32x37)

HOSETAIL FOR FLY NUT (Ø 32x37)

KOD/CODE **30750**

SÜZGEÇ

CARTRIDGE

KOD/CODE **20013**



FİLTRE ANAHTARI

FILTER KEY

KOD/CODE **20011**

SOMUNLU DİRSEK (Ø 32x37)

HOSETAIL FOR FLY NUT (Ø 32x37)

KOD/CODE **30750**

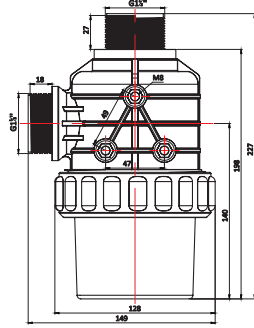
SÜZGEÇ

CARTRIDGE

KOD/CODE **20013**

160 LT. ÇEK VALFLİ FİLTRE

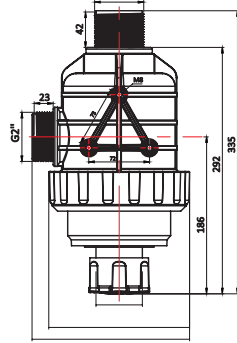
160 LT. SUCTION FILTER



KOD/CODE **20040**

220 LT. ÇEK VALFLİ FİLTRE

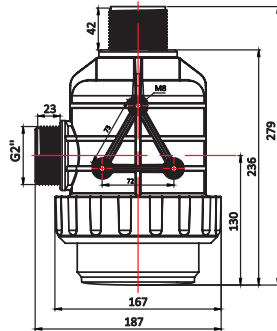
220 LT. SUCTION FILTER



KOD/CODE **20050**

220 LT. STANDART FİLTRE

220 LT. STANDARD FILTER



KOD/CODE **20060**



FİLTRE ANAHTARI

FILTER KEY

KOD/CODE **20011**

SOMUNLU DİRSEK (Ø 32x37)

HOSETAIL FOR FLY NUT (Ø 32x37)

KOD/CODE **30750**

SÜZGEÇ

CARTRIDGE

KOD/CODE **20053**



FİLTRE ANAHTARI

FILTER KEY

KOD/CODE **20051**

SOMUNLU DİRSEK (Ø 32x47)

HOSETAIL FOR FLY NUT (Ø 32x47)

KOD/CODE **30500**

SÜZGEÇ

CARTRIDGE

KOD/CODE **20053**



FİLTRE ANAHTARI

FILTER KEY

KOD/CODE **20051**

SOMUNLU DİRSEK (Ø 32x47)

HOSETAIL FOR FLY NUT (Ø 32x47)

KOD/CODE **30500**

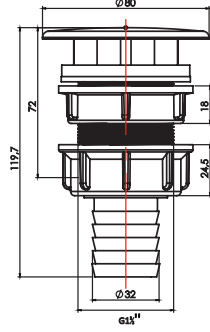
SÜZGEÇ

CARTRIDGE

KOD/CODE **20053**

REKORLU ANAFOR KESİCİ (G1½" Ø 32)

ANTI-VORTEX KİT (G1½" Ø 32)



KOD/CODE **30050**



SOMUN (G1½")

LOCK NUT (G1½")

KOD/CODE **30051**



SOMUN (G1½")

LOCK NUT (G1½")

KOD/CODE **30052**



ANAFOR KESİCİ (G1½")

ANTI-VORTEX (G1½")

KOD/CODE **30053**



REKOR (Ø 32x37)

NIPPLE (Ø 32x37)

KOD/CODE **30054**



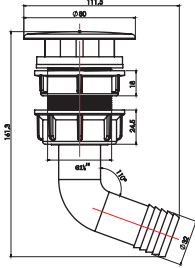
CONTA (Ø 49x3)

GASKET1 (Ø 49x3)

KOD/CODE **30055**

DİRSEKLİ ANAFOR KESİCİ (G1½" Ø 32)

ANTI-VORTEX KİT (G1½" Ø 32)



KOD/CODE **30100**



SOMUN (G1½")

LOCK NUT (G1½")

KOD/CODE **30051**



SOMUN (G1½")

LOCK NUT (G1½")

KOD/CODE **30052**



ANAFOR KESİCİ (G1½")

ANTI-VORTEX (G1½")

KOD/CODE **30053**



DİRSEK (Ø 32x37)

HOSETAIL FOR FLY NUT (Ø 32x37)

KOD/CODE **30101**



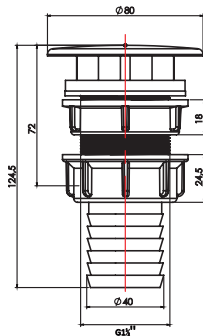
CONTA (Ø 49x3)

GASKET (Ø 49x3)

KOD/CODE **30055**

REKORLU ANAFOR KESİCİ (G1½" Ø 40)

ANTI-VORTEX KİT (G1½" Ø 40)



KOD/CODE **30150**



SOMUN (G1½")

LOCK NUT (G1½")

KOD/CODE **30051**



SOMUN (G1½")

LOCK NUT (G1½")

KOD/CODE **30052**



ANAFOR KESİCİ (G1½")

ANTI VORTEX (G1½")

KOD/CODE **30053**



REKOR (Ø 40x38)

HOSETAIL FOR FLY NUT (Ø 40x38)

KOD/CODE **30151**



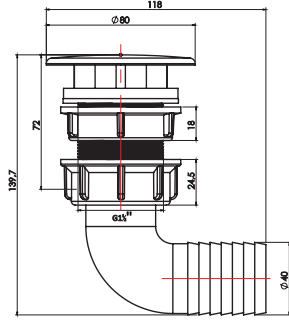
CONTA (Ø 49x3)

GASKET (Ø 49x3)

KOD/CODE **30055**

DİRSEKLİ ANAFOR KESİCİ (G1½" Ø 40)

ANTI-VORTEX KİT (G1½" Ø 40)



KOD/CODE **30200**



SOMUN (G1½")

LOCK NUT (G1½")

KOD/CODE **30051**



SOMUN (G1½")

LOCK NUT (G1½")

KOD/CODE **30052**



ANAFOR KESİCİ (G1½")

ANTI-VORTEX (G1½")

KOD/CODE **30053**



DİRSEK (Ø 40x38)

HOSETAIL FLY FOR NUT (Ø 40x38)

KOD/CODE **30201**



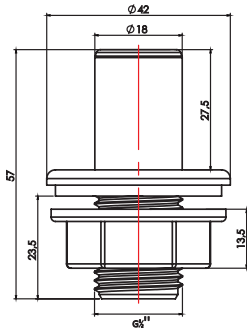
CONTA (Ø 49x3)

GASKET1 (Ø 49x3)

KOD/CODE **30055**

SOMUNLU TAHLİYE REKORU (G½" Ø 18)

HOSETAIL FOR FLY NUT (G½" Ø 18)



KOD/CODE **30250**



SOMUN (G½")

LOCK NUT (G½")

KOD/CODE **30251**



CONTA (Ø 49x3)

GASKET (Ø 49x3)

KOD/CODE **30252**



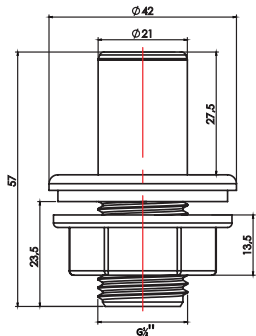
TAHLİYE REKORU (G½" Ø 18)

HOSETAIL FOR FLY NUT (G½" Ø 18)

KOD/CODE **30253**

SOMUNLU TAHLİYE REKORU (G½" Ø 21)

HOSETAIL FOR FLY NUT (G½" Ø 21)



KOD/CODE **30350**



SOMUN (G½")

LOCK NUT (G½")

KOD/CODE **30251**



CONTA (Ø 49x3)

GASKET (Ø 49x3)

KOD/CODE **30252**



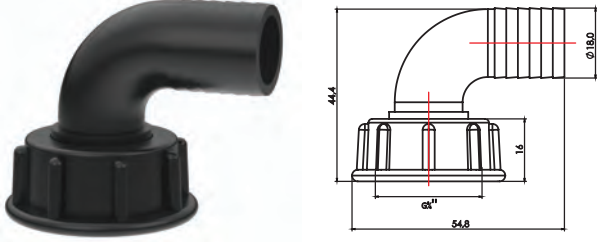
TAHLİYE REKORU (G½" Ø 18)

HOSETAIL FOR FLY NUT (G½" Ø 18)

KOD/CODE **30253**

SOMUNLU REGÜLATÖR GERİ DÖNÜŞ DİRSEĞİ (G ¾" Ø 18)

HOSETAIL FOR FLY NUT (G ¾" Ø 18)



KOD/CODE **30400**



SOMUN (G ¾")
LOCK NUT (G ¾")
KOD/CODE **30401**



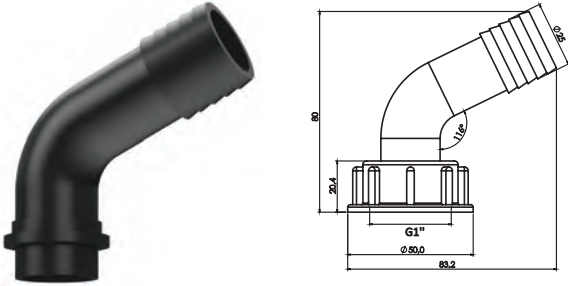
ORİNG (Ø 17x3)
O-RING (Ø 17x3)
KOD/CODE **30402**



DİRSEK (G ¾" Ø 18)
HOSETAIL FOR FLY
NUT (G ¾" Ø 18)
KOD/CODE **30403**

REGÜLATÖR GERİ DÖNÜŞ DİRSEĞİ (G1" Ø 25)

HOSETAIL FOR FLY NUT (G1" Ø 25)



KOD/CODE **30450**



DİRSEK (G1" Ø 25)
HOSETAIL FOR FLY
NUT (G1" Ø 25)
KOD/CODE **30451**



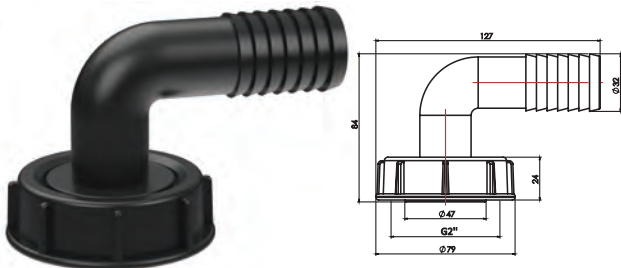
SOMUN (G1")
LOCK NUT (G1")
KOD/CODE **30452**



ORİNG (Ø 25x2.62)
O-RING (Ø 25x2.62)
KOD/CODE **30453**

SOMUNLU DİRSEK (G2" Ø 32x47)

HOSETAIL FOR FLY NUT (G2" Ø 32x47)



KOD/CODE **30500**



DİRSEK (G2" Ø 32x47)
HOSETAIL FOR FLY
NUT (G2" Ø 32x47)
KOD/CODE **30501**



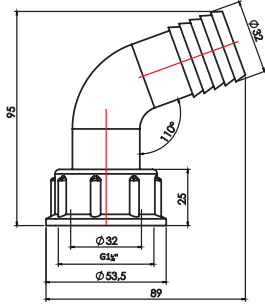
SOMUN (G2")
LOCK NUT (G2")
KOD/CODE **30502**



ORİNG (Ø 42.95x2.62)
O-RING (Ø 42.95x2.62)
KOD/CODE **30503**

SOMUNLU DİRSEK (G1 ¼" Ø 32x32)

HOSETAIL FOR FLY NUT (G1 ¼" Ø 32x32)



KOD/CODE **30600**



SOMUN (G1¼")

LOCK NUT (G1¼")

KOD/CODE **30602**



ORİNG (Ø 27x4)

O-RING (Ø 27x4)

KOD/CODE **30603**



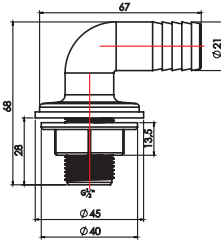
DİRSEK (G1 ¼" Ø 32x32)

HOSETAIL FOR FLY NUT (G1 ¼" Ø 32x32)

KOD/CODE **30601**

SOMUNLU TAHLİYE DİRSEĞİ (G1½" Ø 21)

HOSETAIL FOR FLY NUT (G1½" Ø 21)



KOD/CODE **30700**



SOMUN (G1½")

LOCK NUT (G1½")

KOD/CODE **30251**



CONTA (Ø 21x2)

GASKET (Ø 21x2)

KOD/CODE **30252**



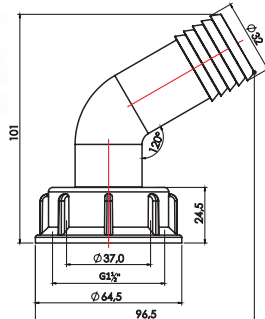
TAHLİYE DİRSEĞİ (G½" Ø 21)

HOSETAIL FOR FLY NUT (G½" Ø 21)

KOD/CODE **30701**

SOMUNLU DİRSEK (G1½" Ø 32x37)

HOSETAIL FOR FLY NUT (G1½" Ø 32x37)



KOD/CODE **30750**



SOMUN (G1½")

LOCK NUT (G1½")

KOD/CODE **30052**



ORİNG (Ø 27x4)

O-RING (Ø 27x4)

KOD/CODE **30603**



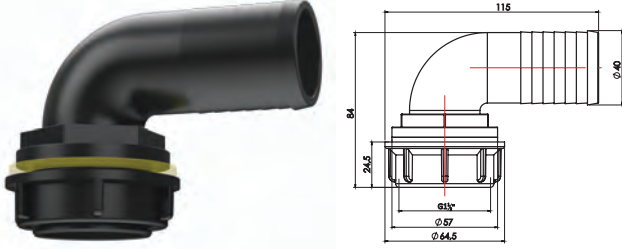
DİRSEK (G1½" Ø 32x37)

HOSETAIL FOR FLY NUT (G1½" Ø 32x37)

KOD/CODE **30751**

SOMUNLU PASOLU DİRSEK (G1 ½" Ø 40)

HOSETAIL FOR FLY NUT (G1 ½" Ø 40)



KOD/CODE **30800**



SOMUN (G1 ½")

LOCK NUT (G1 ½")

KOD/CODE **30051**



CONTA (Ø 49x3)

GASKET (Ø 49x3)

KOD/CODE **30802**



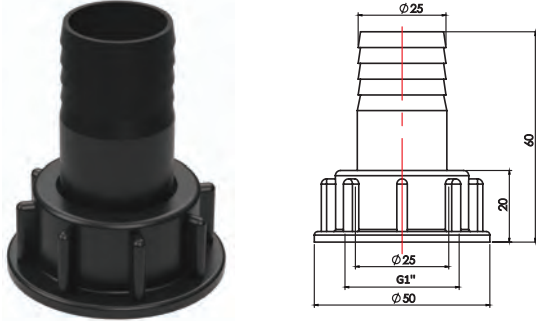
PASOLU DİRSEK (Ø 40)

HOSETAIL FOR
FLY NUT (Ø 40)

KOD/CODE **30801**

SOMUNLU REKOR (G1" Ø 25x25)

HOSETAIL WITH MALE THREADS (G1" Ø 25x25)



KOD/CODE **30850**



SOMUN (G1")

LOCK NUT (G1")

KOD/CODE **30452**



ORİNG (Ø 23x2.62)

O-RING (Ø 23x2.62)

KOD/CODE **30852**



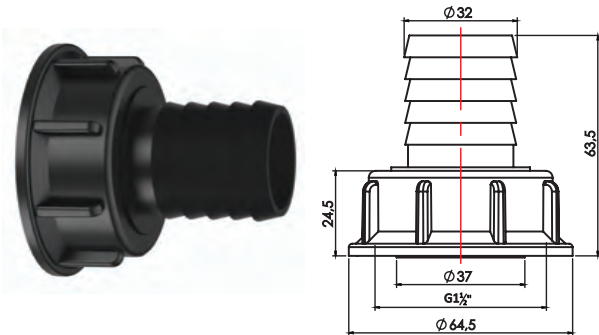
REKOR (G1" Ø 25x25)

HOSETAIL FOR
FLY NUT (G1" Ø 25x25)

KOD/CODE **30851**

SOMUNLU REKOR (G1 ½" Ø 32x37)

HOSETAIL FOR FLY NUT (G1 ½" Ø 32x37)



KOD/CODE **30900**



SOMUN (G1 ½")

LOCK NUT (G1 ½")

KOD/CODE **30052**



ORİNG (Ø 27x4)

O-RING (Ø 27x4)

KOD/CODE **30603**



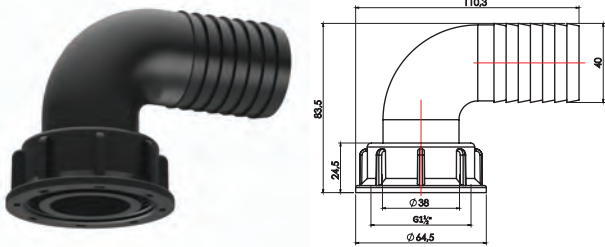
REKOR (G1 ½" Ø 32x37)

HOSETAIL FOR
FLY NUT (G1 ½" Ø 32x37)

KOD/CODE **30901**

DİRSEKLİ SOMUN (G1½" Ø 40x38)

HOSETAIL FOR FLY NUT (G1½" Ø 40x38)



KOD/CODE **40010**



SOMUN (G1½")

LOCK NUT (G1½")

KOD/CODE **30052**

ORİNG (Ø 27x4)

O-RING (Ø 27x4)

KOD/CODE **30603**



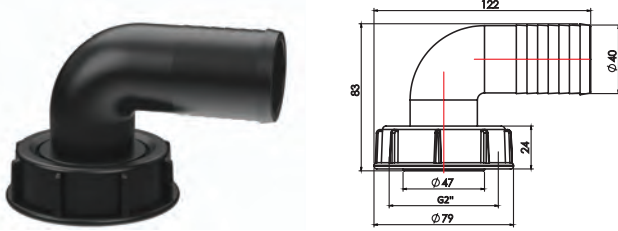
DİRSEK (G1½" Ø 40x38)

HOSETAIL FOR
FLY NUT (G1½" Ø 40x38)

KOD/CODE **40011**

DİRSEKLİ SOMUN (G2" Ø 40x47)

HOSETAIL FOR FLY NUT (G2" Ø 40x47)



KOD/CODE **40020**



SOMUN (G2")

LOCK NUT (G2")

KOD/CODE **30502**

ORİNG (Ø 42.95x2.62)

O-RING (Ø 42.95x2.62)

KOD/CODE **30503**



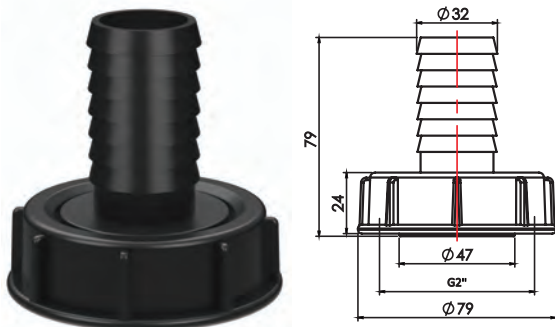
DİRSEK (G2" Ø 40x47)

HOSETAIL FOR
FLY NUT (G2" Ø 40x47)

KOD/CODE **40021**

SOMUNLU REKOR (G2" Ø 47x32)

HOSETAIL FOR FLY NUT (G2" Ø 47x32)



KOD/CODE **40030**



SOMUN (G2")

LOCK NUT (G2")

KOD/CODE **30502**

ORİNG (Ø 42.95x2.62)

O-RING (Ø 42.95x2.62)

KOD/CODE **30503**



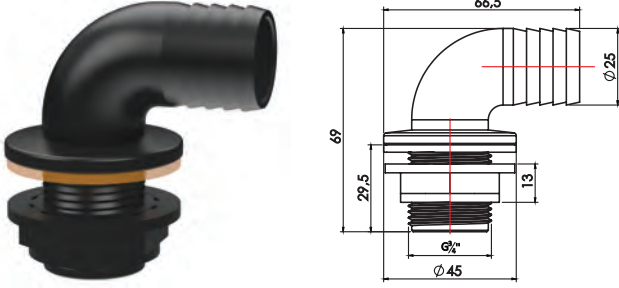
REKOR (G2" Ø 47x32)

HOSETAIL FOR
FLY NUT (G2" Ø 47x32)

KOD/CODE **40031**

SOMUNLU DİRSEK (G ¾" Ø 25)

HOSETAIL FOR FLY NUT (G ¾" Ø 25)



KOD/CODE **40040**



SOMUN (G ¾")

LOCK NUT (G ¾")

KOD/CODE **40043**



CONTA (Ø 27x2.5)

GASKET (Ø 27x2.5)

KOD/CODE **40042**



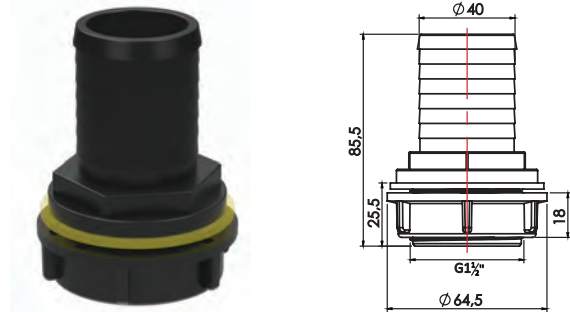
DİRSEK (G ¾" Ø 25)

HOSETAIL FOR
FLY NUT (G ¾" Ø 25)

KOD/CODE **40041**

SOMUNLU REKOR (G1 ½" Ø 40)

HOSETAIL FOR FLY NUT (G1 ½" Ø 40)



KOD/CODE **40050**



SOMUN (G1 ½")

LOCK NUT (G1 ½")

KOD/CODE **30051**



CONTA (Ø 49x3)

GASKET (Ø 49x3)

KOD/CODE **30055**



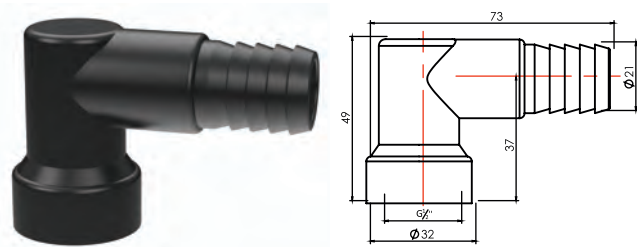
REKOR (G1 ½" Ø 40)

HOSETAIL FOR
FLY NUT (G1 ½" Ø 40)

KOD/CODE **40051**

DİRSEK (G ½")

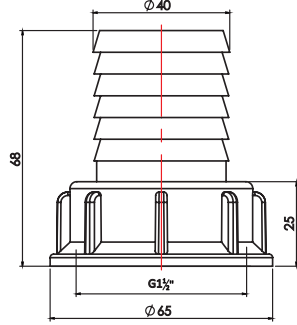
HOSETAIL FEMALE THREADS (G ½")



KOD/CODE **40060**

SOMUNLU REKOR (G1½" Ø 40)

HOSETAIL FOR FLY NUT (G1 ½" Ø 40)



KOD/CODE **40070**



SOMUN (G1½")

LOCK NUT (G1 ½")

KOD/CODE **30052**



ORİNG (Ø 27x4)

O-RING (Ø 27x4)

KOD/CODE **30603**



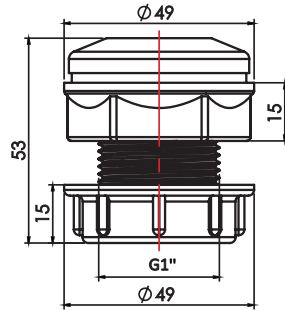
REKOR (G1½" Ø 40)

HOSETAIL FOR
FLY NUT (G1 ½" Ø 40)

KOD/CODE **40071**

ALT BOŞALTIMA TAKIMI (G1")

TANK OUTLET KIT (G1")



KOD/CODE **40090**



SOMUN (G1")

LOCK NUT (G1")

KOD/CODE **40052**



CONTA (Ø 34x2.5)

GASKET (Ø 34x2.5)

KOD/CODE **40092**



KÖR TAPA (G1")

BLANKING CAP (G1")

KOD/CODE **40093**



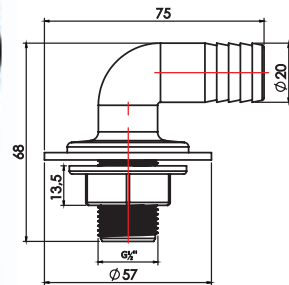
ALT BOŞALTIMA GÖVDESİ

TANK OUTLET

KOD/CODE **40091**

SOMUNLU GÖSTERSE DİRSEĞİ (G1½")

HOSETAIL FOR FLY NUT (G1 ½")



KOD/CODE **40100**



SOMUN (G ½")

LOCK NUT (G½")

KOD/CODE **30251**



CONTA (Ø 21x2)

GASKET (Ø 21x2)

KOD/CODE **30252**



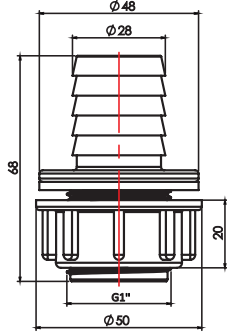
GÖSTERGE DİRSEĞİ (G1½")

HOSETAIL FOR
FLY NUT (G1 ½")

KOD/CODE **40101**

SOMUNLU REKOR (G1" Ø 28)

HOSETAIL FOR FLY NUT (G1" Ø 28)



SOMUN (G1")

LOCK NUT (G1")

KOD/CODE 40052



REKOR (G1" Ø 28)

HOSETAIL FOR
FLY NUT (G1" Ø 28)

KOD/CODE 40111



CONTA (Ø 34x2.4)

GASKET (Ø 34x2.4)

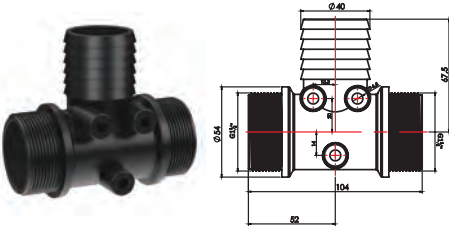
KOD/CODE 40112

KOD/CODE

40110

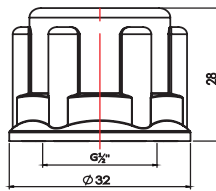
DIŞTAN PASOLU " T " DİRSEK (G1 ½")

TEE ELBOW WITH MALE THREADS (G1 ½")



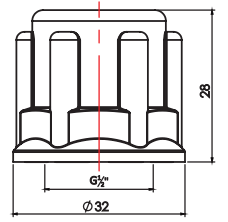
KÖR TAPA (G ½")

BLANKING CAP (G ½")



SOMUN (G ½")

LOCK NUT (G ½")



KOD/CODE

40130

KOD/CODE

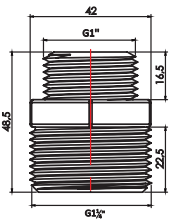
40140

KOD/CODE

40150

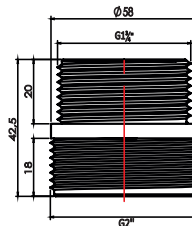
NİPEL (G1 ¼" G1")

NIPPLE (G1 ¼" G1")



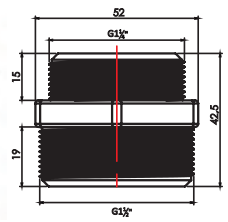
NİPEL (G2" G1 ¾")

NIPPLE (G2" G1 ¾")



NİPEL (G1 ½" ¼")

NIPPLE (G1 ½" ¼")



KOD/CODE

40160

KOD/CODE

40170

KOD/CODE

40180

TEKLİ PLASTİK TARLA ENJEKTÖRÜ

SINGLE PLASTIC BOOM NOZZLE



KOD/CODE 50050

DAMLA KESİCİLİ TEKLİ PLASTİK TARLA ENJEKTÖRÜ

SINGLE WAY PLASTIC BOOM NOZZLE WITH
DIAPHRAGM CHECK VALVE



KOD/CODE 50100

DÖRTLÜ DAMLA KESİCİLİ ENJEKTÖR

4 WAYS PLASTIC BOOM NOZZLE
(WITH ANTIPDRIP)



KOD/CODE 50150

ÜÇLÜ DAMLA KESİCİLİ ENJEKTÖR

3 WAYS PLASTIC BOOM NOZZLE
WITH ANTIDRIP



KOD/CODE 50200

DAMLA KESİLİ PİRİNÇ ENJEKTÖR

ADJUSTABLE BRASS NOZZLE 2WAYS
(WITH ANTIRIP)



KOD/CODE 50250

DAMLA KESİSİZ PİRİNÇ ENJEKTÖR

ADJUSTABLE BRASS NOZZLE 2WAYS
(WITHOUT ANTIRIP)



KOD/CODE 50300

DAMLA KESİCİLİ PİRİNÇ ENJEKTÖR (ŞAPKALI)

ADJUSTABLE BRASS NOZZLE 2 WAYS
(WITH ANTIDRIP/WITH HUT)



KOD/CODE 50350

DAMLA KESİCİSİZ PİRİNÇ ENJEKTÖR (ŞAPKALI)

ADJUSTABLE BRASS NOZZLE 2 WAYS
(WITHOUT ANTIDRIP/WITH HUT)



KOD/CODE 50400

PLASTİK DAMLA KESİCİLİ ENJEKTÖRÜ

ADJUSTABLE PLASTIC NOZZLE 2WAYS
(WITHOUT ANTIRIP)



KOD/CODE 50450

STANDARD METAL ENJEKTÖR

SPLIT EYELET NOZZLE-HOLLOW CONE



KOD/CODE **50500**

YELPAZE UÇLU KELEPÇELİ ENJEKTÖR

SPLIT EYELET NOZZLE-HOLLOW CONE



KOD/CODE **50550**

YELPAZE UÇLU KELEPÇELİ ENJEKTÖR

SPLIT EYELET NOZZLE-HOLLOW CONE



KOD/CODE **50600**

STANDART PLASTİK ENJEKTÖR

STANDARD PLASTIC-HOLLOW CONE



KOD/CODE **50510**

ÇATAL ENJEKTÖR

"V" NOZZLE



KOD/CODE **50650**



Ø 4 MM. KOD/CODE **50051**



Ø 3 MM. KOD/CODE **50052**



Ø 2 MM. KOD/CODE **50053**



Ø 1 MM. KOD/CODE **50054**



Ø 1 MM. KOD/CODE **50057**



Ø 1.2 MM. KOD/CODE **50058**



Ø 1.5 MM. KOD/CODE **50059**



Ø 2.0 MM. KOD/CODE **50060**

KISA TABANCA

SHORT TYPE SPRAY GUN



KOD/CODE **60050**

UZUN TABANCA

LONG TYPE SPRAY GUN



KOD/CODE **60100**

TETİKLİ KISA TABANCA

SHORT TYPE TRIGGER SPRAY GUN



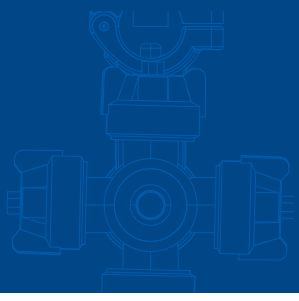
KOD/CODE **60150**

UZUN TETİKLİ TABANCA

LONG TYPE TRIGGER SPRAY GUN



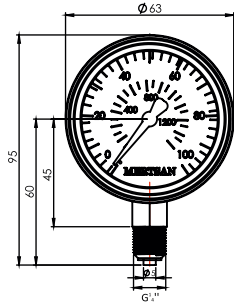
KOD/CODE **60200**



PARÇALAR
SPARE PARTS

GLİSERİN DOLGULU BASINÇ SAATİ (Ø 63 MM G ¼")

PRESSURE GAUGE GLYCERINE FILLED (Ø 63 MM G ¼")

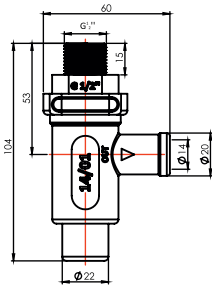


KOD/CODE

70350

BASINÇ EMNİYET VALFİ (G ½")

SAFETY VALVE (G ½")

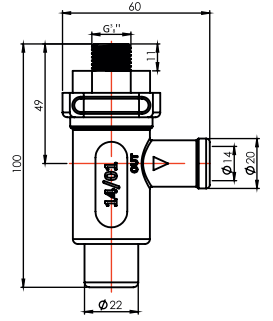


KOD/CODE

70450

BASINÇ EMNİYET VALFİ (G ¾")

SAFETY VALVE (G ¾")

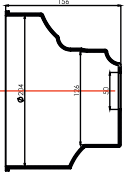
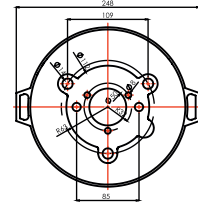


KOD/CODE

70400

145 Lt. ŞAFT MUHAFAZASI

145 Lt. CARDAN PROTECTION

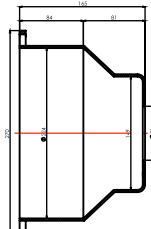
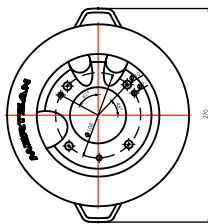


KOD/CODE

70500

MTS 371 S / 496 ŞAFT MUHAFAZASI

MTS 371 S / 496 CARDAN PROTECTION

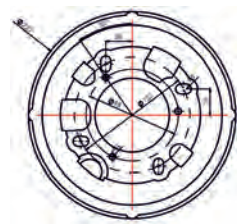


KOD/CODE

70550

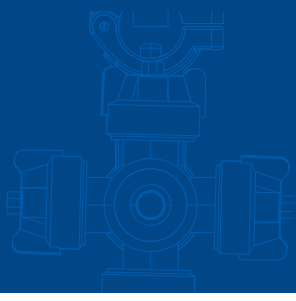
MTS 371 T / A ŞAFT MUHAFAZASI

MTS 371 T / A CARDAN PROTECTION



KOD/CODE

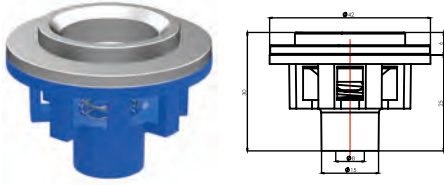
70600



PARÇALAR
SPARE PARTS

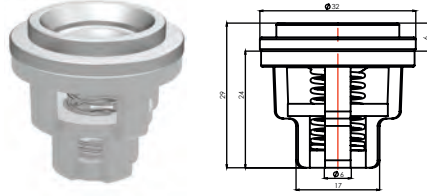
145 Lt. SİBOBU

SUCTION DELIVERY VALVE FOR 145 Lt.



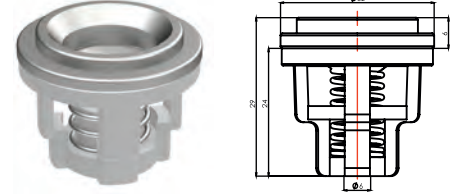
MTS 496 / 371 S SİBOBU

SUCTION DELIVERY VALVE FOR MTS 496 /371 S



MTS 371 A / T SİBOBU

SUCTION DELIVERY VALVE FOR 371 T / A



KOD/CODE

70700

KOD/CODE

70800

KOD/CODE

70900

HAREKETLİ KABLO TAŞIYICI (Ø 120X50)

CABLE CARRIER SYSTEM (Ø 120X50)



SOMUNLU HORTUM REKOR TAKIMI (G ½" Ø 10 MM.)

STEEL HOSETAIL KIT WITH NUT (G ½" Ø 10 MM.)



SOMUNLU HORTUM REKOR TAKIMI (G ½" Ø 12 MM.)

STEEL HOSETAIL KIT WITH NUT (G ½" Ø 12 MM.)



KOD/CODE

80100

KOD/CODE

80150

KOD/CODE

80200

HORTUM SIKMA YÜZÜKLERİ

SELF LOCKING FITTINGS



Ø 19 MM.

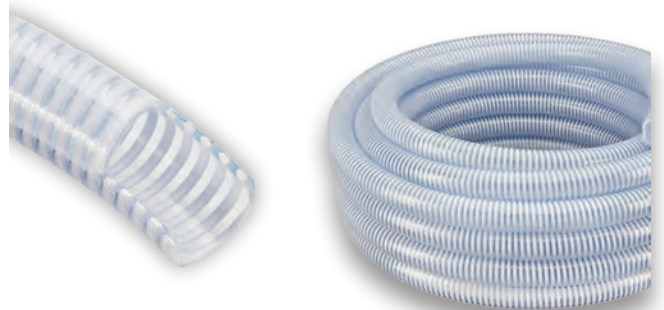
KOD/CODE **80250**

Ø 22 MM.

KOD/CODE **80251**

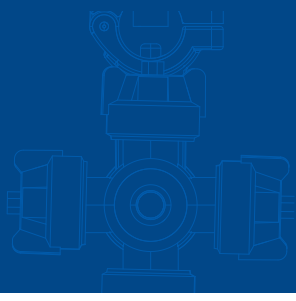
DERE ALICI HORTUM (Ø 32 MM.)

SUCTION HOSE (Ø 32 MM.)



KOD/CODE

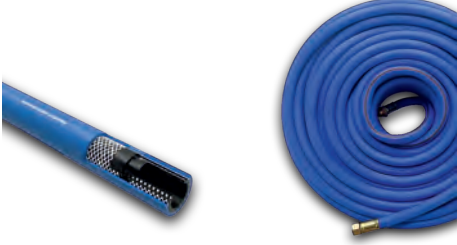
80300



PARÇALAR
SPARE PARTS

İLAÇLAMA HORTUMLARI

SPRAYING HOSES



Ø 8 MM. KOD/CODE **80350**

Ø 10 MM. KOD/CODE **80351**

ÇELİK SİRALLİ ŞEFFAF TELLİ HORTUMLAR

NON-TOXIC STEEL SPIRAL TRANSPARENT HOSES



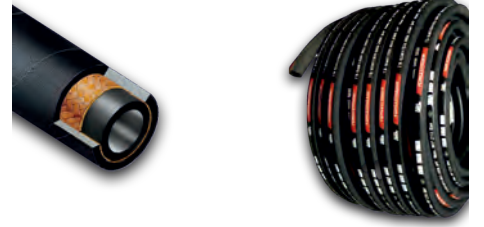
Ø 19 MM. KOD/CODE **80400**

Ø 25 MM. KOD/CODE **80401**

Ø 32 MM. KOD/CODE **80402**

BASINÇ HORTUMLARI

PRESSURE HOSES



(1/2") KOD/CODE **80450**

(3/4") KOD/CODE **80451**

PLASTİK KOL KELEPÇESİ

PLASTIC BOOM SUPPORT CLAMP



KOD/CODE **80500**

MUSLUK

TAP

METAL KOL KELEPÇESİ (1/2" Ø 25x25)

BOOM SUPPORT CLAMP (1/2" Ø 25x25)



KOD/CODE **80550**

UZUN "U" KIZAK

LONG "U" SLED

METAL KOL KELEPÇESİ (1/2" Ø 30x30)

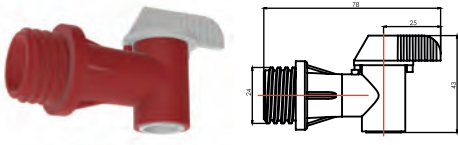
BOOM SUPPORT CLAMP (1/2" Ø 30x30)



KOD/CODE **80600**

UZUN "V" KIZAK

LONG "V" SLED



KOD/CODE **80650**



KOD/CODE **80700**



KOD/CODE **80800**

KULE FAN

TOWER FAN



KOD/CODE	90051
ÇAP/DIAMETER	900 MM.
ENJEKTÖR/NOZZLE	18 Adet/Pcs.
AKTARMA/TRANSMISSON	Şanzıman/Gearbox

CANON FAN

360° CANON FAN



KOD/CODE	90100
ÇAP/DIAMETER	900 MM.
ENJEKTÖR/NOZZLE	11 Adet/Pcs.
AKTARMA/TRANSMISSON	Şanzıman/Gearbox

RADYAL FAN

RADIAL FAN



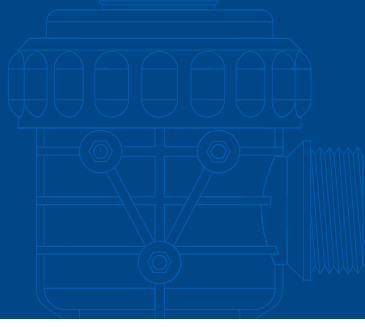
KOD/CODE	90150
ÇAP/DIAMETER	900 MM.
ENJEKTÖR/NOZZLE	15 Adet/Pcs.
AKTARMA/TRANSMISSON	Şanzıman/Gearbox

"V" FAN

"V" FAN



KOD/CODE	90200
ÇAP/DIAMETER	900 MM.
ENJEKTÖR/NOZZLE	16 Adet/Pcs.
AKTARMA/TRANSMISSON	Şanzıman/Gearbox



PARÇALAR
SPARE PARTS

60/75 CM. AYIRICILI FAN

600/750 MM. FAN



KOD/CODE	90300/90301
ÇAP/DIAMETER	600/750
ENJEKTÖR/NOZZLE	8/10/Adet /Pcs.
AKTARMA/TRANSMISSON	Kasnak /Pulley

60/75/90 CM. ŞANZIMANLI FAN

600/750/900 MM. FAN FOR GEARBOX



KOD/CODE	90350/90351/90352
ÇAP/DIAMETER	600/750/900 MM.
ENJEKTÖR/NOZZLE	8/10/16 Adet/Pcs.
AKTARMA/TRANSMISSON	Şanzuman/Gearbox

900 MM. BAĞ FAN

900 MM VINEYARD TYPE FAN



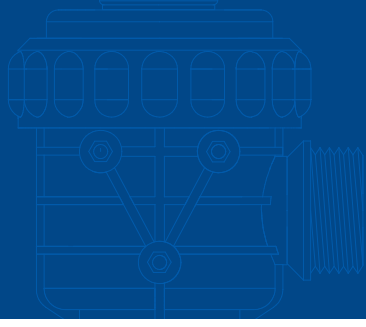
KOD/CODE	90400
ÇAP/DIAMETER	900 MM
ENJEKTÖR/NOZZLE	18 Adet /Pcs.
AKTARMA/TRANSMISSON	Şanzuman/Gearbox

900 MM ÇİFT PERVANELİ FAN

900 MM DUAL FAN FOR GEARBOX



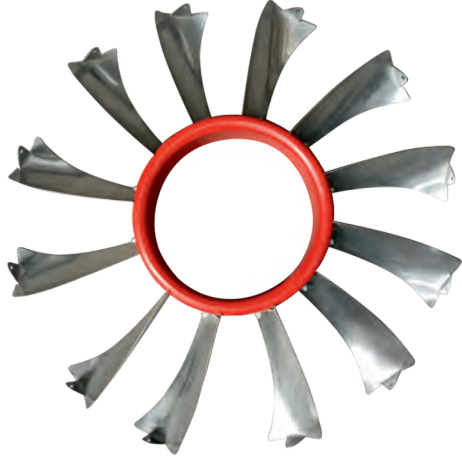
KOD/CODE	90500
ÇAP/DIAMETER	900 MM
ENJEKTÖR/NOZZLE	16 Adet /Pcs.
AKTARMA/TRANSMISSON	Şanzuman/Gearbox



PARÇALAR
SPARE PARTS

90 CM. FAN BIÇAĞI

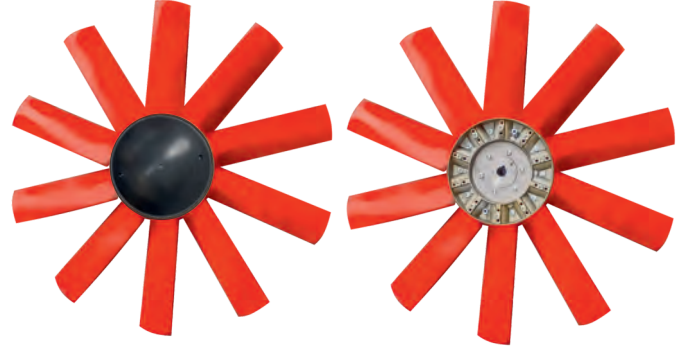
900 MM. FAN BLADE



KOD/CODE	90600
ÇAP/DIAMETER	900 MM.

60/75/90 CM. FAN PERVANESİ

600/750/900 MM. FAN BLADE



KOD/CODE	90703/90704/90705
ÇAP/DIAMETER	600/750/900 MM.

60/75/90 CM. FAN DAVLUMBAZ

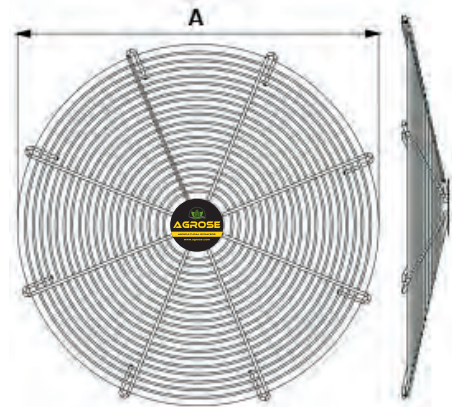
600/750/900 MM. STAINLESS STEEL RING



KOD/CODE	90800/90801/90802
ÇAP/DIAMETER	600/750/900 MM.

60/75/90 CM. FAN IZGARASI

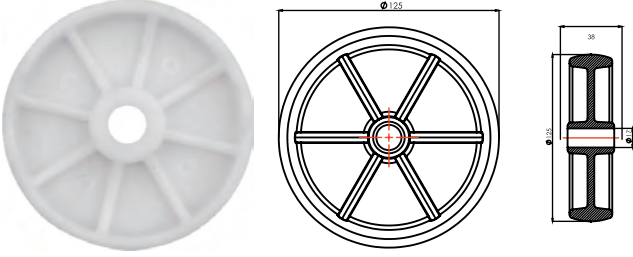
600/750/900 MM. FAN PROTECTION GRID



KOD/CODE	90900/90901/90902
ÇAP/DIAMETER	600/750/900 MM.

TEKER (Ø 125)

WHEEL (Ø 125)



KOD/CODE

100050

DÖNER TABLALI VE FRENLİ TEKER

PLATE FITTING BRAKE WHEEL



KOD/CODE

100150

ŞANZİMAN (1:3.5 / 1:4.5)

GEARBOX (1:3.5 / 1:4.5)

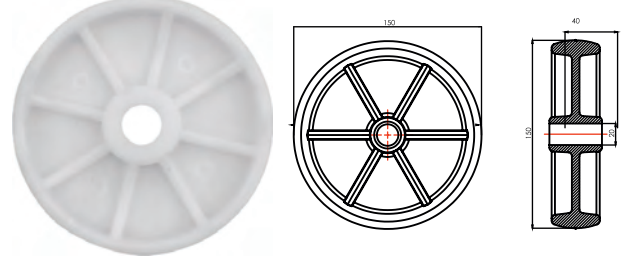


KOD/CODE

100250

TEKER (Ø 150)

WHEEL (Ø 150)



KOD/CODE

100100

PİMLİ VE FRENLİ SARHOŞ TEKER

WHEEL WITH PIN AND BRAKE



KOD/CODE

100200

FAN AY BORUSU

CURVED ROD



4'LÜ BORU

4 WAYS NOZZLE HOLDER

KOD/CODE **100300**

5'Lİ BORU

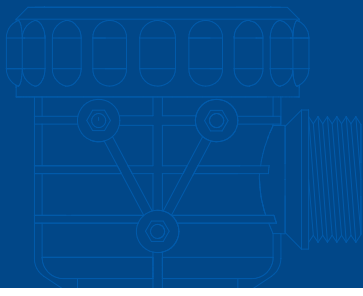
5 WAYS NOZZLE HOLDER

KOD/CODE **100301**

8'Lİ BORU

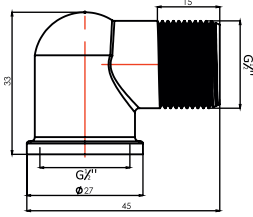
8 WAYS NOZZLE HOLDER

KOD/CODE **100302**



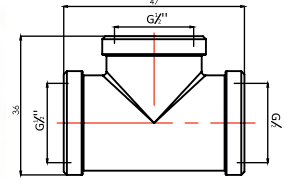
KUYRUKLU DİRSEK (G ½" ½")

BRASS ELBOW (G ½" ½")



T-DİRSEK (G ½" D)

FEMALE TEE (G ½" F)



KOD/CODE

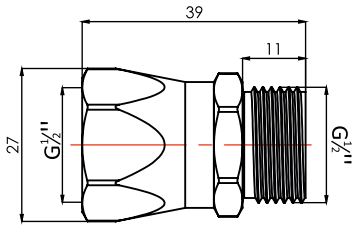
100350

KOD/CODE

100400

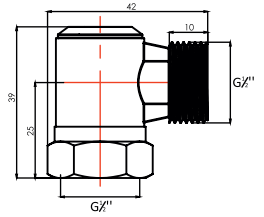
DÜZ DÖNEL NİPEL (G ¾" ½")

SWIVEL NIPPLE (G ¾" ½")



"L" DÖNEL NİPEL (G ½" ½")

SWIVEL NIPPLE (G ½" ½")



KOD/CODE

100450

KOD/CODE

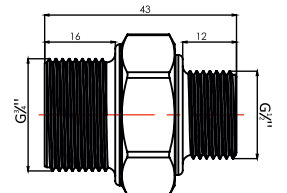
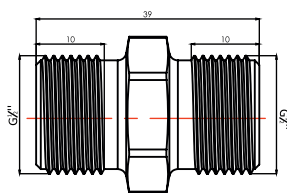
100500

NİPEL (G ½" ½")

NIPPLE (G ½" ½")

NİPEL (G ½" ¾")

NIPPLE (G ½" ¾")

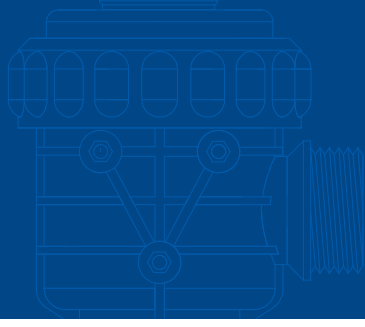


KOD/CODE

100550

KOD/CODE

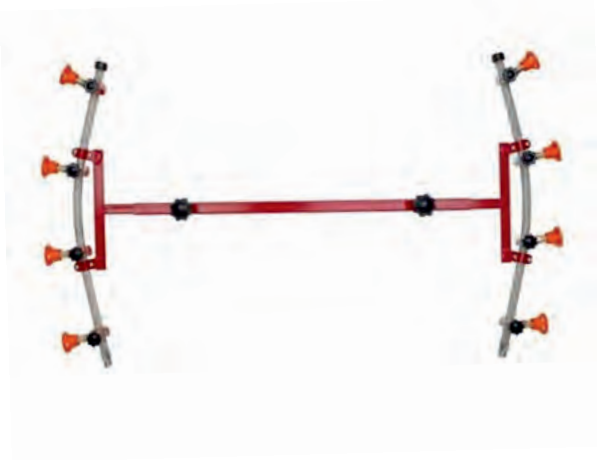
100600



PARÇALAR
SPARE PARTS

Bağ İÇİN KOL

BOOM FOR VINEYARD



KOD/CODE

100700

HARİCİ KARIŞTIRICI

EXTERNAL MIXER



KOD/CODE

100800

ÇİFT MAKARA

DOUBLE HOSE REEL



KOD/CODE

100900

MAKARA

HOSE REEL



KOD/CODE

100950





MERTSAN®

PUMP



Büyükkayacık OSB. Mahallesi 405.Sokak No:8
Selçuklu - KONYA / TÜRK İYE



+90 332 346 02 12



info@mertsanpump.com